

 FOCUS ON EC FAN ONLY



PBM MOTOR AND FAN(SUZHOU) CO.,LTD

 Tangential Blower, Cross Flow Fan

[www.pbmmf.com](http://www.pbmmf.com)

# CONTENTS

■ EC / DC Series	01-15
■ AC Series	16-37
■ Technical Support	38-40

# About us



## Company Profile

PBM is a China mainland EC(Electronically Commutated) brushless motor manufacturing and technology consulting company offering an extensive range of EC motors, fans and intelligent ventilation solutions for air-moving precisely and constantly with maintenance-free throughout the life cycle of products in last decades.

## R&D and Technical Support

Our R&D and technical support team commits to combine interactively external motor technology, integrated electronic control circuit and aerodynamic design of fan impeller that satisfied customers' requirements in different applications by innovative fan solutions, with leading experiment equipment, meters, tools in laboratory for motor reliability and fan air performance testing. We are pursuing extremely compact brushless permanent magnet synchronous external rotor motor to drive various impeller types and sizes: diagonal axial, backward and forward curved centrifugal, radial, single inlet and dual inlet blower, tangential, cross flow, from minimum 30mm to 560mm diameter with airflow maximum to 12,000CMH cubic meter per hour (equal to approx. 7,000CFM cubic feet per minutes). Maximum motor input power goes to 1.5KW (equal to 2 horsepower) at rotor diameter 138mm.

## Production and Quality Control

Economical efficient supply chain guarantees our manufacturing team and quality management team could constantly offer stable products within promised competitive lead time. We continuously invest on semi-automatic or automatic motor and fan assembly lines, equipment, fixtures and jigs to enhance our cost advantage production capability. Not only adopted in ISO9001 Quality Management System ISO 14000 Environment Management System and ISO 45001 Occupational Health and Safety Management system, but also adopted in a long-term Eco-friendly and People-oriented sustainable development of company for last 10 years.

## Marketing and Sales

Hundreds of worldwide ventilation, refrigeration, air purification, home appliance, companies from more than fifty countries are adopting PBM EC green-tech motorized fans in their product units and systems that were protecting natural environment and indoor environment of our home to be sustainable green and clean. Our agent and distributor network and online service team covered popular EC fan markets to ensure prompt technical support.

## Vision and Mission

Focus on EC fan only and protect our world with intelligent energy efficient motor and fan solutions are our goal in an attempt to make tomorrow a greener & healthier world.

# Cross Flow(Tangential) Fans' Technical Features Overview

## Intelligent Cross Flow Fan Technology Introduction

PBM series Cross flow fan is also called Tangential blower. The cross flow fan is mainly composed of impeller, air duct and motor. The impeller is generally made of aluminum alloy or engineering plastics. Aluminum alloy impeller has high strength, light weight, high temperature resistance, and can keep stable operation for a long time without deformation; The plastic impeller is made by injection molding and ultrasonic welding. It is generally used in situations with low rotating speed and large diameter.

The air duct is generally formed by stamping metal sheet, or cast with plastic or aluminum alloy. The casing adopts streamline design, which can effectively reduce the loss of air flow and greatly improve the working efficiency of the fan.

The motor is the power part of the cross flow fan, which can be powered by AC or DC. AC power supply mainly includes shaded pole motor and capacitor starting motor, while DC power supply is DC brushless motor. The drive motor is generally flexibly installed with the impeller and fixed on the air duct.

**Impeller Sizes:** From minimum 30mm to 120mm diameter;

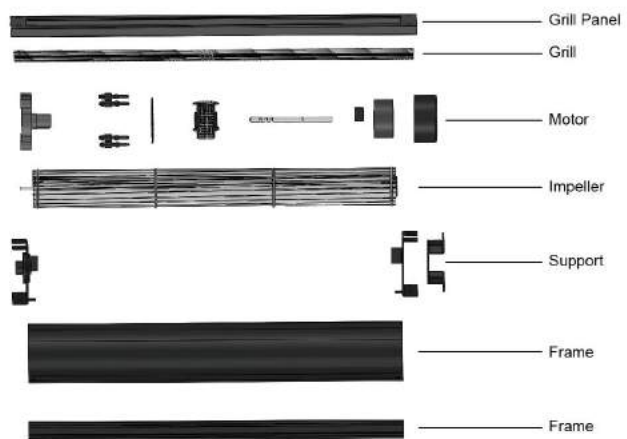
**Total length:** From minimum 145mm to 1385mm diameter;

**Sound Level:** From 29dB(A) to maximum 56dB(A) according different rotation speed;

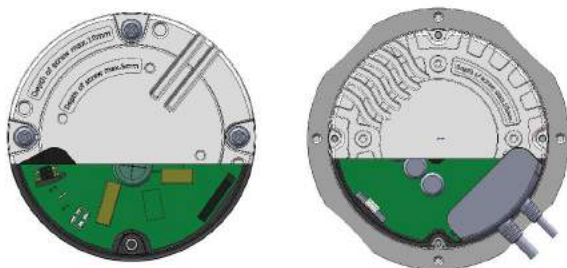
**Air Flow:** Maximum to 1,445CMH, Cubic Meter per Hour, equal to approx. 850CFM , Cubic Feet per Minute;

**Air Pressure:** Maxim to 86Pa, equal to 8.8mmH2O;

**Power:** Maximum motor input power goes to 220W at motor diameter 120mm.



## Eco-friendly EC Motor Technology Introduction



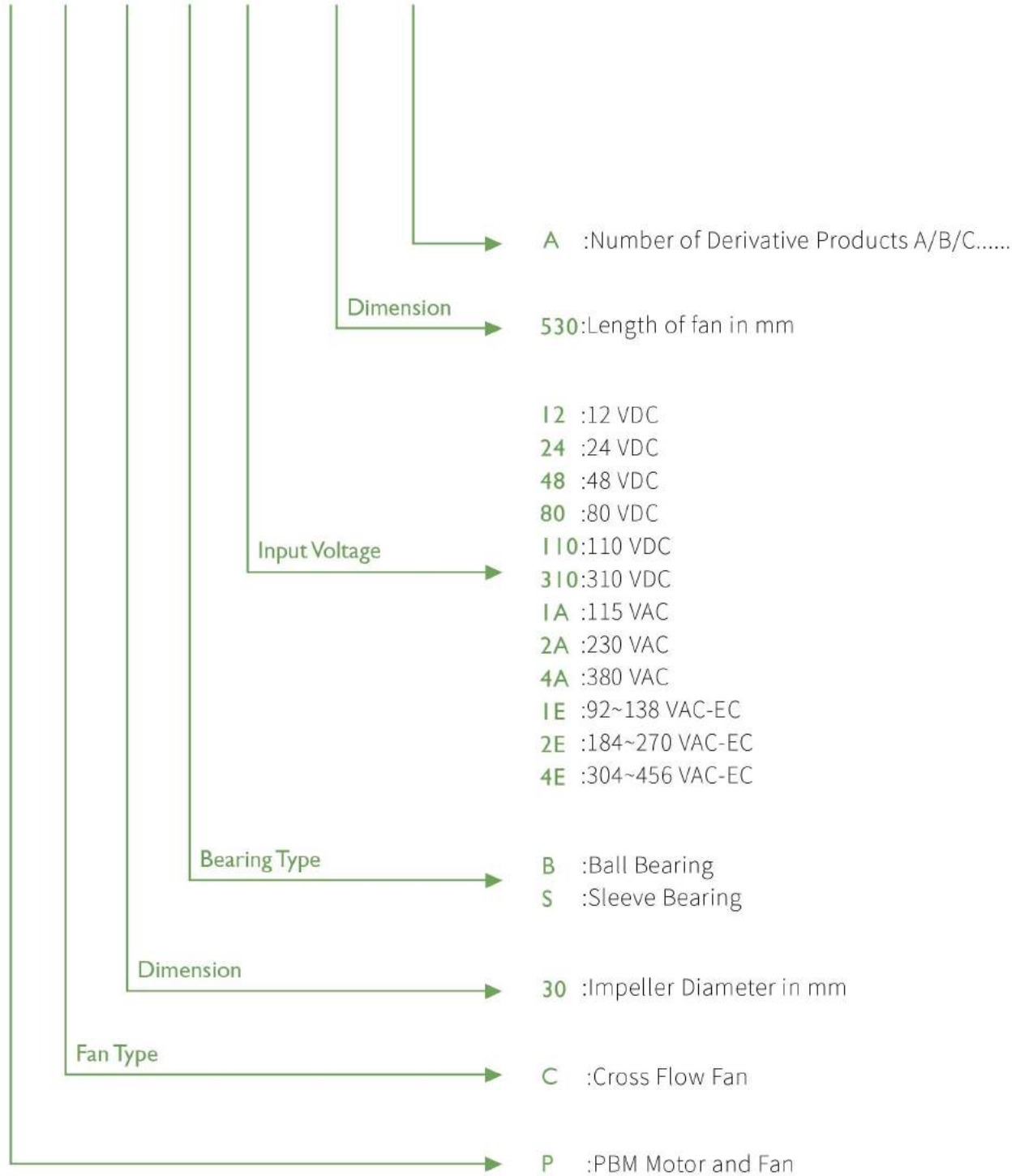
### EC=Electronically Commutated

EC brushless permanent magnet synchronous external rotor motor compact with integrated electronic controller built-in for fan applications.

- Variable speed setting by 0~10V DC or PWM signal input;
- AC(1~ or 3~phase) public power grid supply connects to motor directly without transformer, voltage stabilizer with silicon rectifier; no surge current by soft-start and PFC circuit integrated;
- Motor efficiency goes up to Maximum 91% for energy-saving and emissions-reducing;
- Low noise by sine wave 3-core brushless commutation motor design with oblique magnetization;
- Always rotation in the correct direction;
- Operating at either 50Hz and 60Hz; 184~270 VAC 1~;
- Operating temperature rise is much cooler in electric motors for longer lifespan.

# Part Number System

**P C 30 B 2A 530 A**



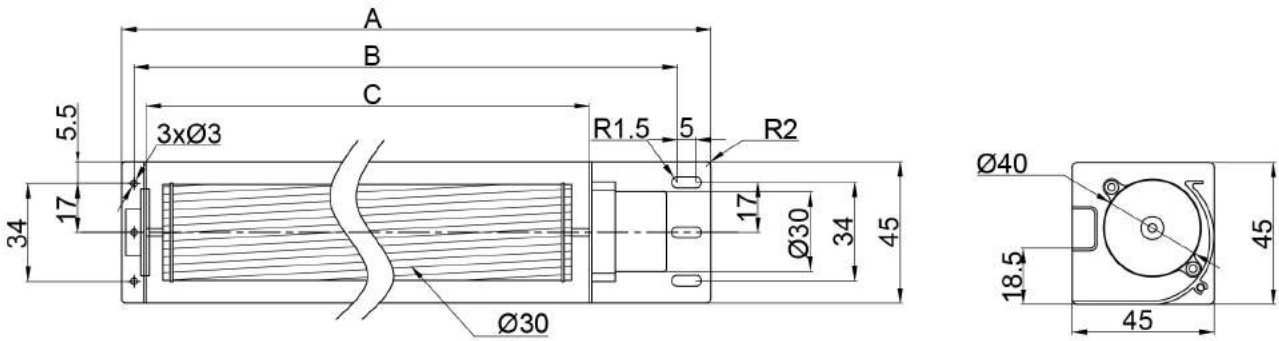
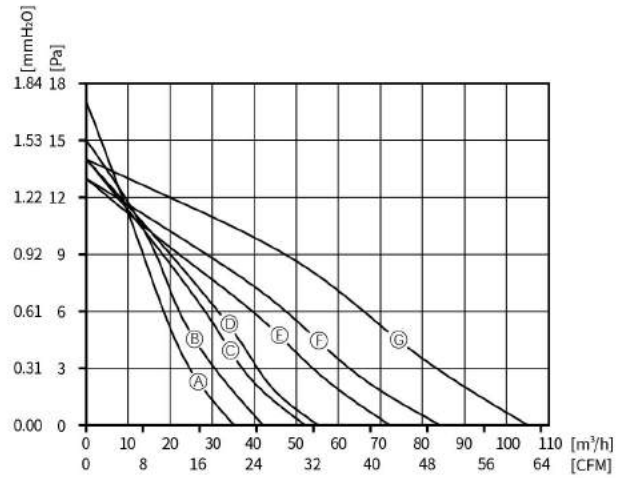


## EC/DC Series



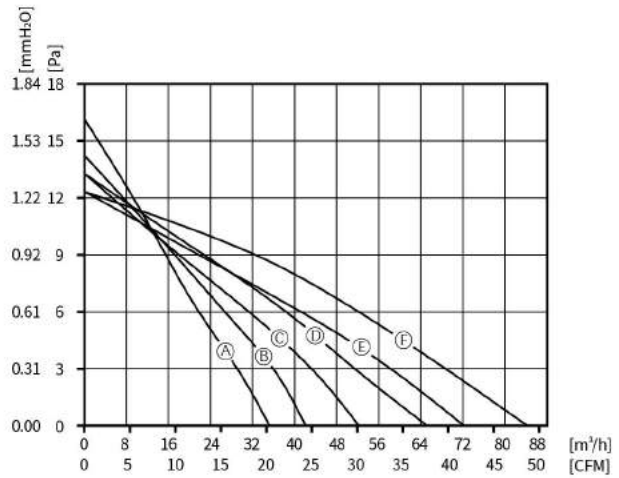
# Ø30mm DC Cross Flow Fan

DC Cross Flow Fan

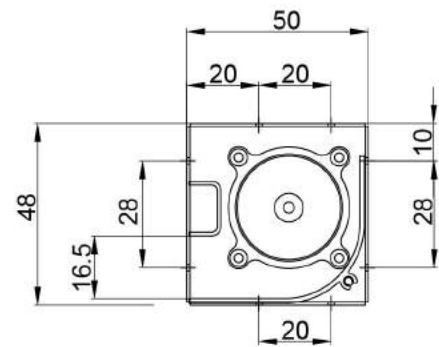
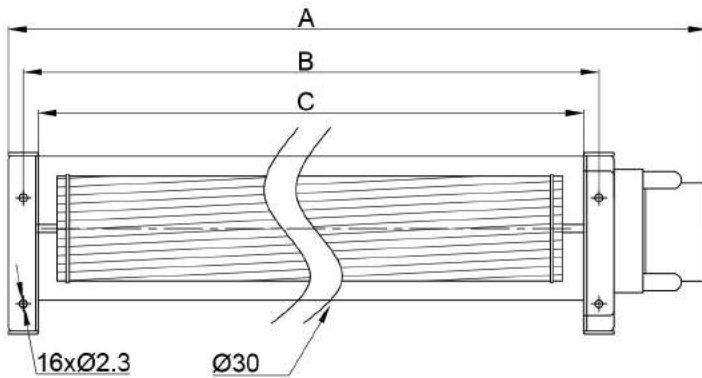


Model Part No.	Rated Voltage VDC	Operating Voltage VDC	Rated Current A	Rated Power W	Rated Speed RPM	Air Flow M³H	Air Pressure Pa	Sound Level dB(A)	Air Outlet Length mm	Pitch Row mm	Total Length mm
PC30B1298C (A)	12	9-15	0.08	0.96	3000	35	17	29	98	132	145
PC30B2498C (A)	24	16-28	0.03	0.72	2800	35	17	29	98	132	145
PC30B12160C (B)	12	9-15	0.11	1.32	2700	42	15	30	160	194	207
PC30B24160C (B)	24	16-28	0.04	0.96	3000	42	15	30	160	194	207
PC30B12198C (C)	12	9-15	0.13	1.56	2700	52	14	31	198	232	245
PC30B24198C (C)	24	16-28	0.05	1.20	2500	52	14	31	198	232	245
PC30B12248C (D)	12	9-15	0.28	3.36	3000	55	14	32	248	282	295
PC30B24248C (D)	24	16-28	0.11	2.64	3000	55	14	32	248	282	295
PC30B12300C (E)	12	9-15	0.31	3.72	2800	72	13	33	300	334	347
PC30B24300C (E)	24	16-28	0.12	2.88	2800	72	13	33	300	334	347
PC30B12352C (F)	12	9-15	0.35	4.20	2500	84	13	34	352	386	399
PC30B24352C (F)	24	16-28	0.14	3.36	2550	84	13	34	352	386	399
PC30B12420C (G)	12	9-15	0.36	4.32	2400	105	14	35	420	454	467
PC30B24420C (G)	24	16-28	0.14	3.36	2400	105	14	35	420	454	467

# Ø30mm DC Cross Flow Fan



DC Cross Flow Fan

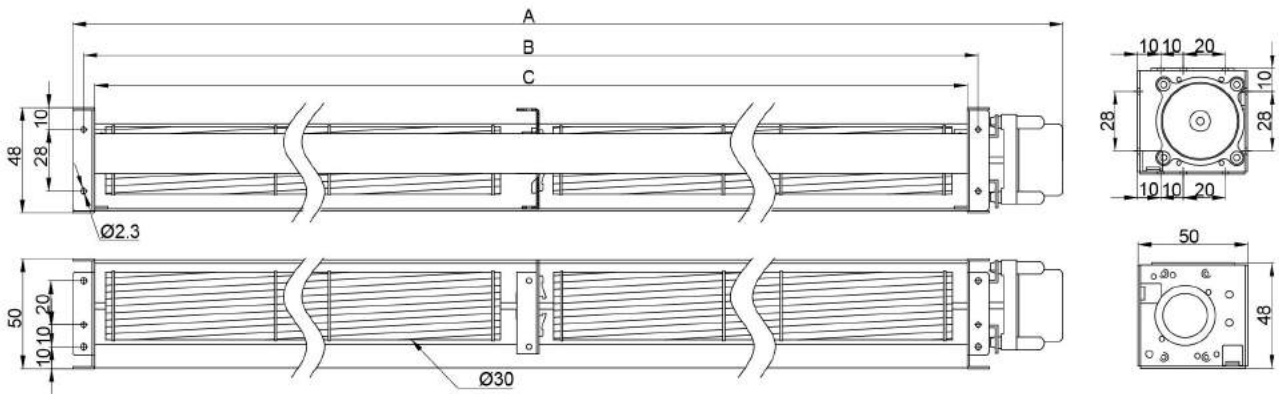
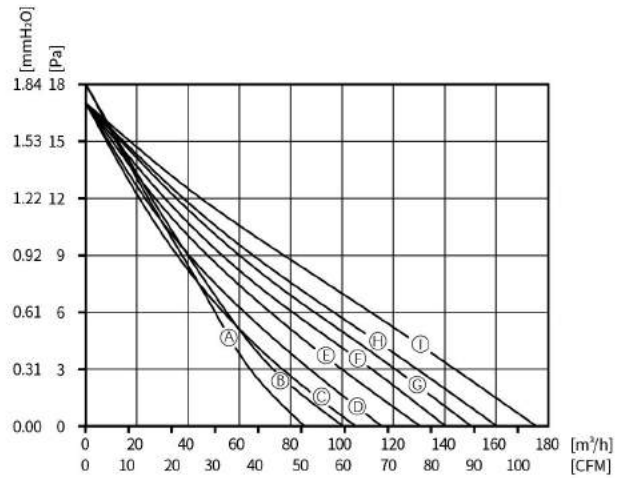


Model Part No.	Rated Voltage VDC	Operating Voltage VDC	Rated Current A	Rated Power W	Rated Speed RPM	Air Flow M³/H	Air Pressure Pa	Sound Level dB(A)	Air Outlet Length mm	Pitch Row mm	Total Length mm
PC30B1298B (A)	12	9~15	0.10	1.20	3000	35	17	29	98	108	152
PC30B2498B (A)	24	16~28	0.05	1.20	3000	35	17	29	98	108	152
PC30B12160B (B)	12	9~15	0.12	1.44	2800	42	15	30	160	170	214
PC30B24160B (B)	24	16~28	0.07	1.68	2800	42	15	30	160	170	214
PC30B12198B (C)	12	9~15	0.14	1.68	2700	52	14	31	198	208	252
PC30B24198B (C)	24	16~28	0.08	1.92	2700	52	14	31	198	208	252
PC30B12248B (D)	12	9~15	0.16	1.92	2600	65	14	32	248	258	302
PC30B24248B (D)	24	16~28	0.09	2.16	2600	65	14	32	248	258	302
PC30B12300B (E)	12	9~15	0.18	2.16	2500	72	13	33	300	310	354
PC30B24300B (E)	24	16~28	0.09	2.16	2500	72	13	33	300	310	354
PC30B12352B (F)	12	9~15	0.20	2.40	2400	84	13	35	352	362	406
PC30B24352B (F)	24	16~28	0.10	2.40	2400	84	13	35	352	362	406



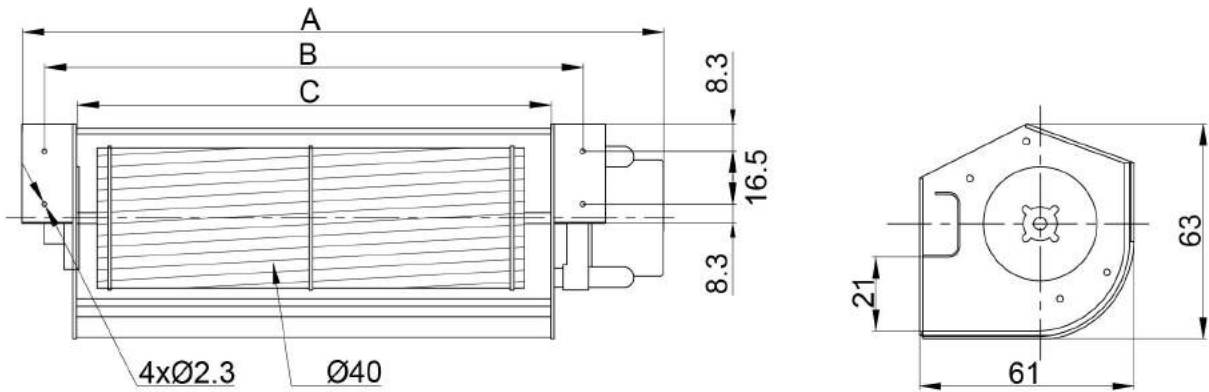
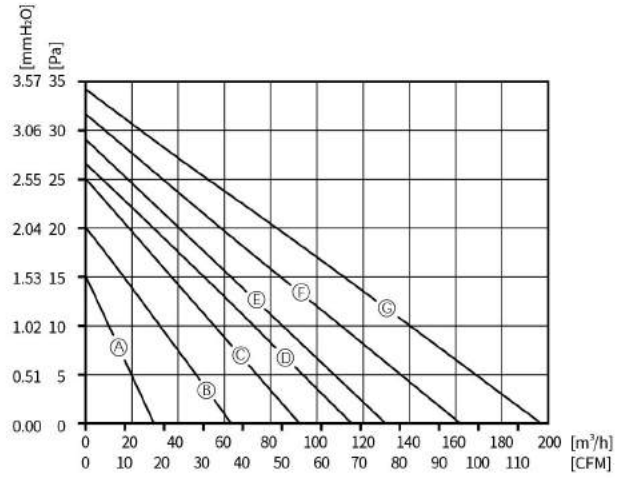
## Ø30mm DC Cross Flow Fan

DC Cross Flow Fan



Model Part No.	Rated Voltage VDC	Operating Voltage VDC	Rated Current A	Rated Power W	Rated Speed RPM	Air Flow M³/H	Air Pressure Pa	Sound Level dB(A)	Air Outlet Length mm	Pitch Row mm	Total Length mm
PC30B12530L (A)	12	9~15	0.28	3.36	2400	85	18	32	530	540	583.5
PC30B24530L (A)	24	16~28	0.12	2.88	2400	85	18	32	530	540	583.5
PC30B12610L (B)	12	9~15	0.32	3.84	2400	100	18	33	610	620	663.5
PC30B24610L (B)	24	16~28	0.16	3.84	2400	100	18	33	610	620	663.5
PC30B12650L (C)	12	9~15	0.32	3.84	2400	105	17	34	650	660	703.5
PC30B24650L (C)	24	16~28	0.17	4.08	2400	105	17	34	650	660	703.5
PC30B12718L (D)	12	9~15	0.35	4.20	2400	115	17	35	718	728	771.5
PC30B24718L (D)	24	16~28	0.18	4.32	2400	115	17	35	718	728	771.5
PC30B12800L (E)	12	9~15	0.39	4.68	2400	130	17	36	800	810	853.5
PC30B24800L (E)	24	16~28	0.19	4.56	2400	130	17	36	800	810	853.5
PC30B12854L (F)	12	9~15	0.42	5.04	2400	140	17	36	854	864	907.5
PC30B24854L (F)	24	16~28	0.22	5.28	2400	140	17	36	854	864	907.5
PC30B12920L (G)	12	9~15	0.45	5.40	2400	150	17	37	920	930	973.5
PC30B24920L (G)	24	16~28	0.24	5.76	2400	150	17	37	920	930	973.5
PC30B12986L (H)	12	9~15	0.50	6.00	2400	160	17	37	986	996	1039.5
PC30B24986L (H)	24	16~28	0.27	6.48	2400	160	17	37	986	996	1039.5
PC30B121082L (I)	12	9~15	0.60	7.20	2400	175	17	38	1082	1092	1135.5
PC30B241082L (I)	24	16~28	0.31	7.44	2400	175	17	38	1082	1092	1135.5

# Ø40mm DC Cross Flow Fan

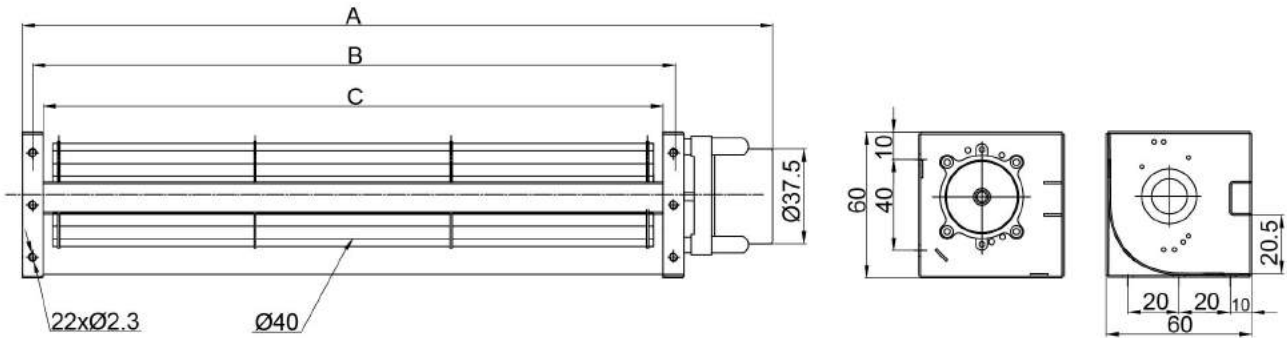
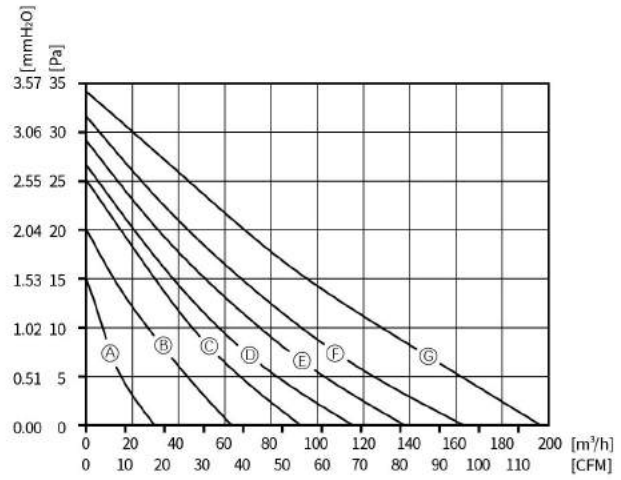


Model Part No.	Rated Voltage VDC	Operating Voltage VDC	Rated Current A	Rated Power W	Rated Speed RPM	Air Flow M³H	Air Pressure Pa	Sound Level dB(A)	Air Outlet Length mm	Pitch Row mm	Total Length mm
PC40B1298C (A)	12	9~15	0.12	1.44	2600	30	15	30	98	132	145
PC40B2498C (A)	24	16~28	0.08	1.92	2600	30	15	30	98	132	145
PC40B12160C (B)	12	9~15	0.16	1.92	2600	65	20	33	160	194	207
PC40B24160C (B)	24	16~28	0.11	2.64	2600	65	20	33	160	194	207
PC40B12198C (C)	12	9~15	0.20	2.40	2600	92	25	34	198	232	245
PC40B24198C (C)	24	16~28	0.17	4.08	2600	92	25	34	198	232	245
PC40B12250C (D)	12	9~15	0.25	3.00	2600	116	27	35	250	282	295
PC40B24250C (D)	24	16~28	0.21	5.04	2600	116	27	35	250	282	295
PC40B12300C (E)	12	9~15	0.31	3.72	2600	138	29	36	300	334	347
PC40B24300C (E)	24	16~28	0.25	6.00	2600	138	29	36	300	334	347
PC40B12348C (F)	12	9~15	0.38	4.56	2600	162	32	37	348	386	399
PC40B24348C (F)	24	16~28	0.26	6.24	2600	162	32	37	348	386	399
PC40B12420C (G)	12	9~15	0.46	5.52	2600	195	34	38	420	454	467
PC40B24420C (G)	24	16~28	0.31	7.44	2600	195	34	38	420	454	467

DC Cross Flow Fan

# Ø40mm DC Cross Flow Fan

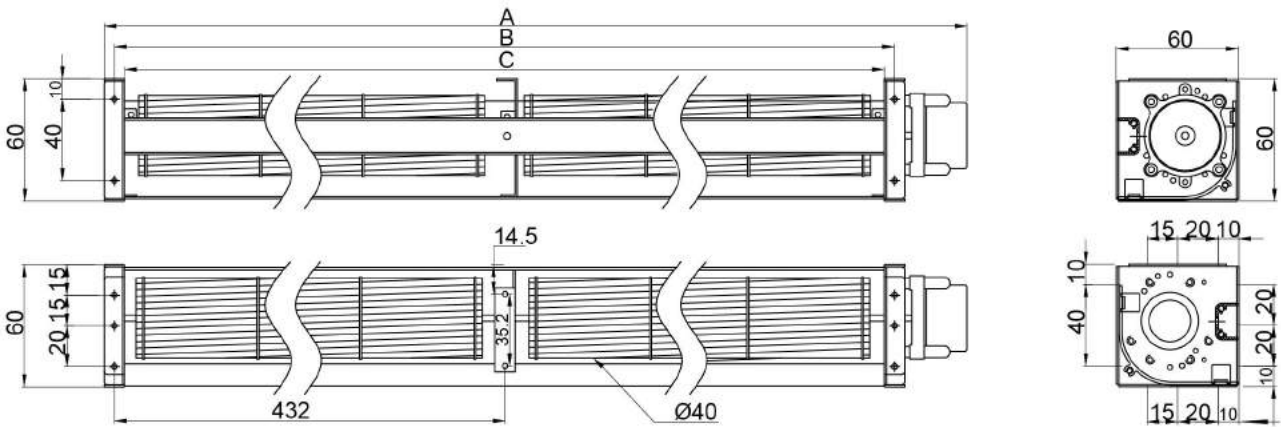
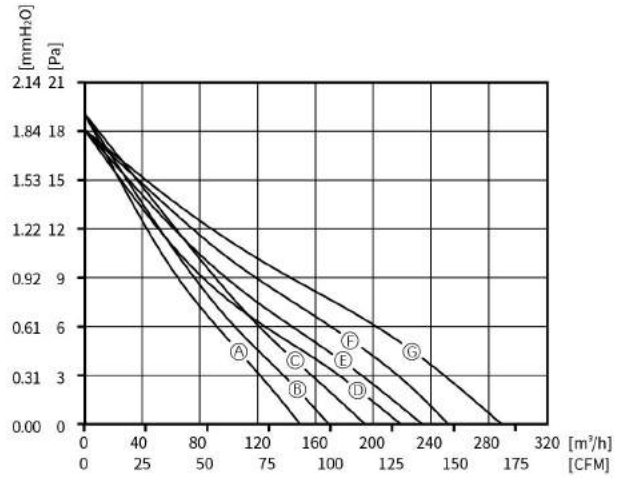
DC Cross Flow Fan



Model Part No.	Rated Voltage VDC	Operating Voltage VDC	Rated Current A	Rated Power W	Rated Speed RPM	Air Flow M <sup>3</sup> /H	Air Pressure Pa	Sound Level dB(A)	Air Outlet Length mm	Pitch Row mm	Total Length mm
PC40B1298B (A)	12	9~15	0.12	1.44	2600	30	15	30	98	108	149
PC40B2498B (A)	24	16~28	0.08	1.92	2600	30	15	30	98	108	149
PC40B12160B (B)	12	9~15	0.16	1.92	2600	65	20	33	160	170	210
PC40B24160B (B)	24	16~28	0.11	2.64	2600	65	20	33	160	170	210
PC40B12198B (C)	12	9~15	0.20	2.40	2600	92	25	34	198	208	249
PC40B24198B (C)	24	16~28	0.17	4.08	2600	92	25	34	198	208	249
PC40B12250B (D)	12	9~15	0.25	3.00	2600	116	27	35	250	260	300
PC40B24250B (D)	24	16~28	0.21	5.04	2600	116	27	35	250	260	300
PC40B12300B (E)	12	9~15	0.31	3.72	2600	138	29	36	300	310	352
PC40B24300B (E)	24	16~28	0.25	6.00	2600	138	29	36	300	310	352
PC40B12348B (F)	12	9~15	0.38	4.56	2600	162	32	37	348	358	417
PC40B24348B (F)	24	16~28	0.26	6.24	2600	162	32	37	348	358	417
PC40B12420B (G)	12	9~15	0.46	5.52	2600	195	34	38	420	430	472
PC40B24420B (G)	24	16~28	0.31	7.44	2600	195	34	38	420	430	472

# Ø40mm DC Cross Flow Fan

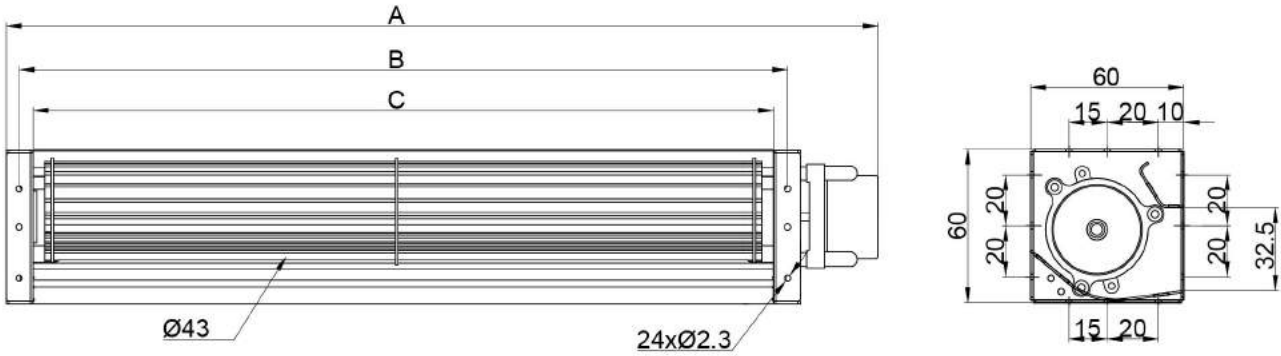
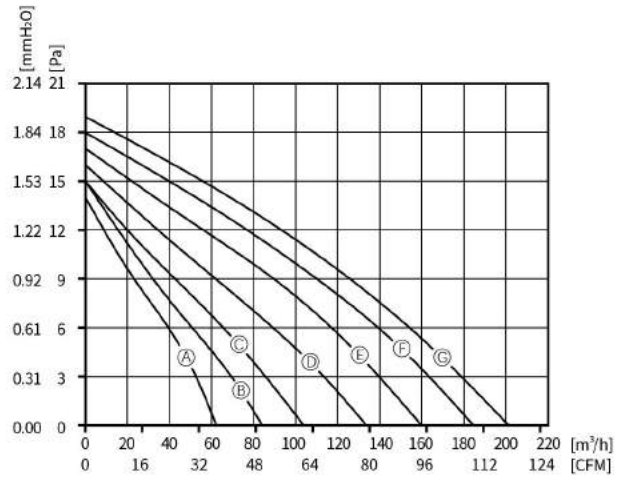
DC Cross Flow Fan



Model <small>Part No.</small>	Rated Voltage VDC	Operating Voltage VDC	Rated Current A	Rated Power W	Rated Speed RPM	Air Flow M <sup>3</sup> /H	Air Pressure Pa	Sound Level dB(A)	Air Outlet Length mm	Pitch Row mm	Total Length mm
PC40B24530L (A)	24	16-28	0.24	5.76	2200	150	19	34	530	540	580
PC40B24610L (B)	24	16-28	0.29	6.96	2200	170	19	35	610	620	670
PC40B24700L (C)	24	16-28	0.17	4.08	2600	195	19	35	700	710	750
PC40B24800L (D)	24	16-28	0.21	5.04	2600	220	18	36	800	810	850
PC40B24854L (E)	24	16-28	0.25	6.00	2600	235	18	36	854	864	904
PC40B24920L (F)	24	16-28	0.26	6.24	2600	253	18	37	920	930	973
PC40B241055L (G)	24	16-28	0.31	7.44	2600	290	18	38	1055	1065	1108

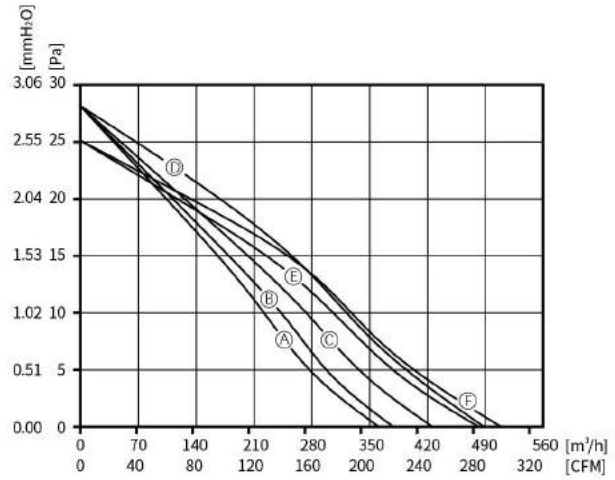
# Ø43mm DC Cross Flow Fan

DC Cross Flow Fan

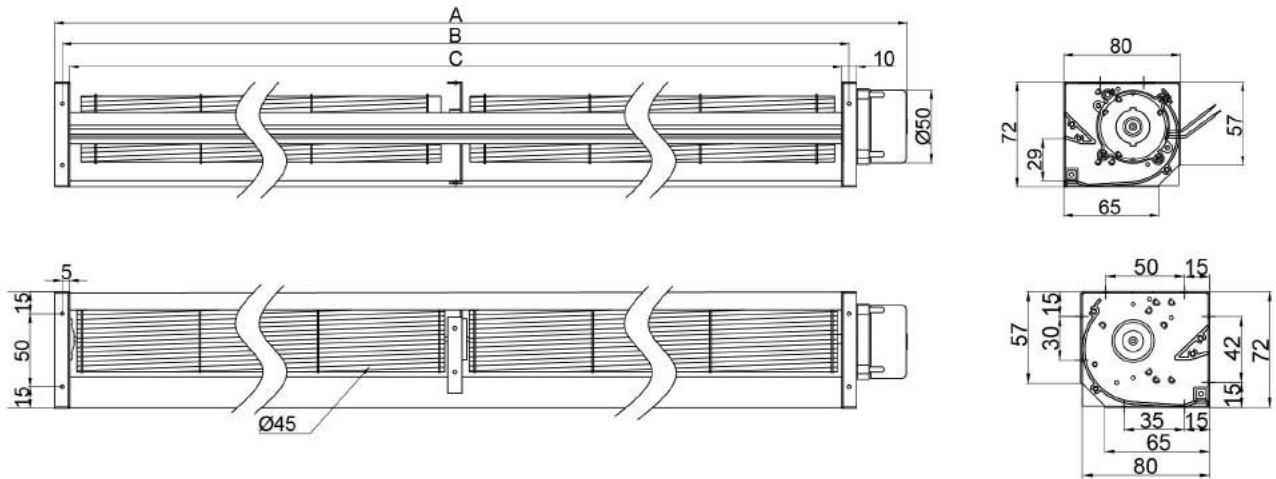


Model Part No.	Rated Voltage VDC	Operating Voltage VDC	Rated Current A	Rated Power W	Rated Speed RPM	Air Flow M <sup>3</sup> /H	Air Pressure Pa	Sound Level dB(A)	Air Outlet Length mm	Pitch Row mm	Total Length mm
PC43B1298A (A)	12	9~15	0.28	3.36	2600	63	14	36	98	108	150
PC43B2498A (A)	24	16~28	0.12	2.88	2600	63	14	36	98	108	150
PC43B12160A (B)	12	9~15	0.32	3.84	2600	85	15	36	160	170	212
PC43B24160A (B)	24	16~28	0.16	3.84	2600	85	15	36	160	170	212
PC43B12198A (C)	12	9~15	0.36	4.32	2600	105	15	37	198	208	250
PC43B24198A (C)	24	16~28	0.18	4.32	2600	105	15	37	198	208	250
PC43B12250A (D)	12	9~15	0.43	5.16	2600	133	16	37	250	260	302
PC43B24250A (D)	24	16~28	0.24	5.16	2600	133	16	37	250	260	302
PC43B12300A (E)	12	9~15	0.46	5.52	2600	160	17	38	300	310	352
PC43B24300A (E)	24	16~28	0.27	6.48	2600	160	17	38	300	310	352
PC43B12348A (F)	12	9~15	0.50	6.00	2600	185	18	39	348	358	400
PC43B24348A (F)	24	16~28	0.29	6.96	2600	185	18	39	348	358	400
PC43B12420A (G)	12	9~15	0.52	6.24	2600	202	19	10	420	430	472
PC43B24420A (G)	24	16~28	0.33	7.92	2600	202	19	10	420	430	472

# Ø45mm DC Cross Flow Fan



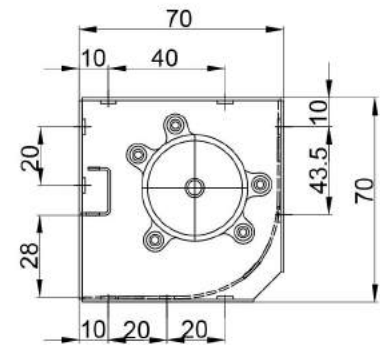
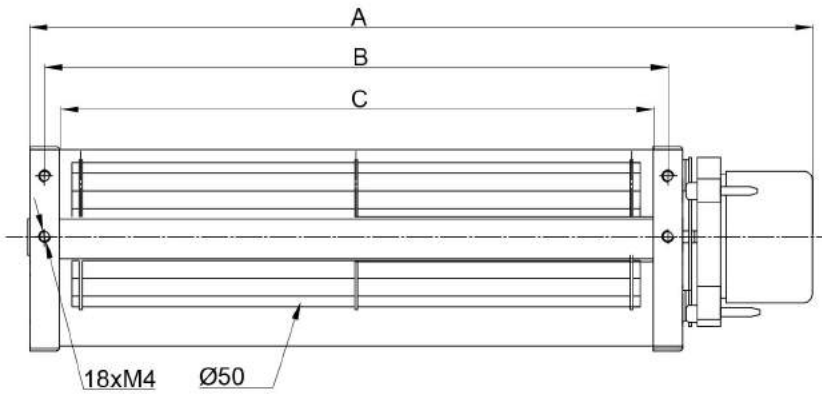
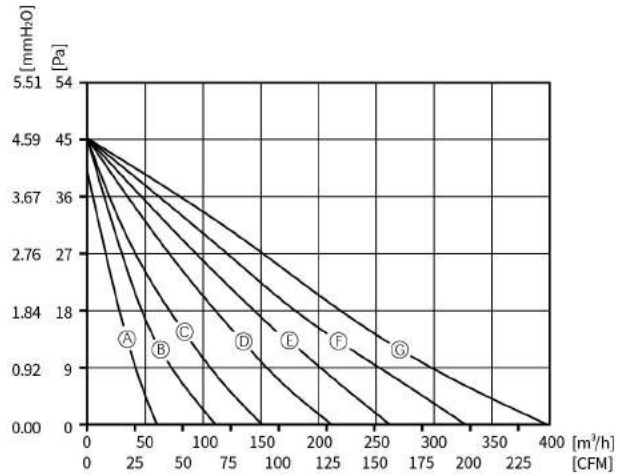
DC Cross Flow Fan



Model Part No.	Rated Voltage VDC	Operating Voltage VDC	Rated Current A	Rated Power W	Rated Speed RPM	Air Flow M <sup>3</sup> /H	Air Pressure Pa	Sound Level dB(A)	Air Outlet Length mm	Pitch Row mm	Total Length mm
PC45B24530L (A)	24	16~28	0.49	11.76	2000	366	28	48	530	540	585
PC45B24630L (B)	24	16~28	0.70	16.80	2000	384	28	49	630	640	685
PC45B24700L (C)	24	16~28	0.85	20.40	2000	430	28	50	700	710	755
PC45B24750L (D)	24	16~28	0.94	22.56	2000	495	28	50	750	760	805
PC45B24820L (E)	24	16~28	0.82	19.68	1800	487	25	48	820	830	875
PC45B24870L (F)	24	16~28	0.85	20.40	1800	516	25	48	870	880	925

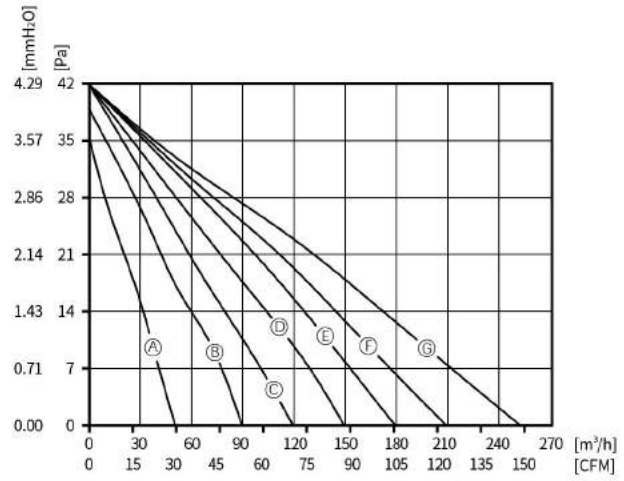
# Ø50mm DC Cross Flow Fan

DC Cross Flow Fan

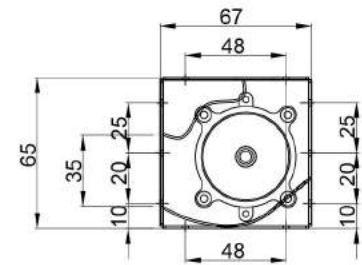
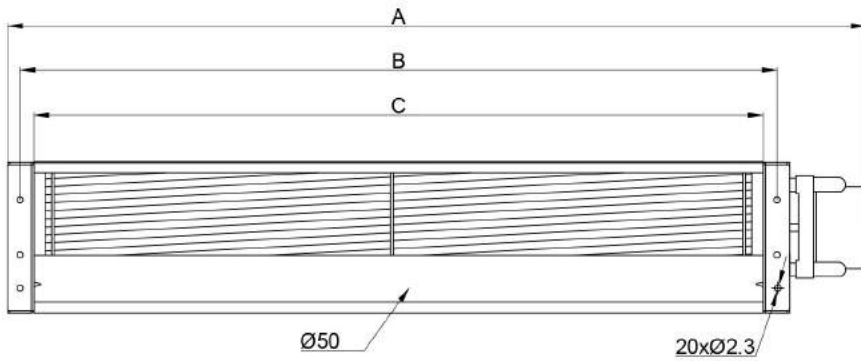


Model Part No.	Rated Voltage VDC	Operating Voltage VDC	Rated Current A	Rated Power W	Rated Speed RPM	Air Flow M <sup>3</sup> /H	Air Pressure Pa	Sound Level dB(A)	Air Outlet Length mm	Pitch Row mm	Total Length mm
PC50B1298B (A)	12	9~15	0.20	2.40	2400	60	40	34	98	108	166
PC50B2498B (A)	24	16~28	0.12	2.88	2400	60	40	34	98	108	166
PC50B12158B (B)	12	9~15	0.44	5.28	2400	110	45	42	158	168	226
PC50B24158B (B)	24	16~28	0.24	5.76	2400	110	45	42	158	168	226
PC50B12198B (C)	12	9~15	0.60	7.20	2400	150	45	43	198	208	266
PC50B24198B (C)	24	16~28	0.28	6.72	2400	150	45	43	198	208	266
PC50B12248B (D)	12	9~15	0.66	7.92	2400	210	45	44	248	258	310
PC50B24248B (D)	24	16~28	0.33	7.92	2400	210	45	44	248	258	310
PC50B12290B (E)	12	9~15	0.91	10.92	2400	260	45	44	290	308	363
PC50B24290B (E)	24	16~28	0.43	10.32	2400	260	45	44	290	308	363
PC50B12358B (F)	12	9~15	1.13	13.56	2400	330	45	43	358	368	422
PC50B24358B (F)	24	16~28	0.57	13.68	2400	330	45	43	358	368	422
PC50B12418B (G)	12	9~15	1.16	13.92	2400	395	45	43	418	428	476
PC50B24418B (G)	24	16~28	0.61	14.64	2400	395	45	43	418	428	476

# Ø50mm DC Cross Flow Fan



DC Cross Flow Fan

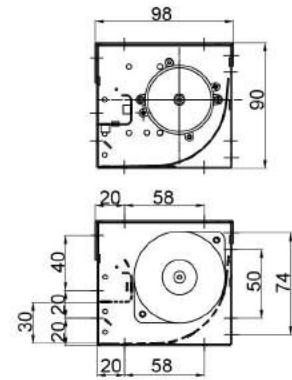
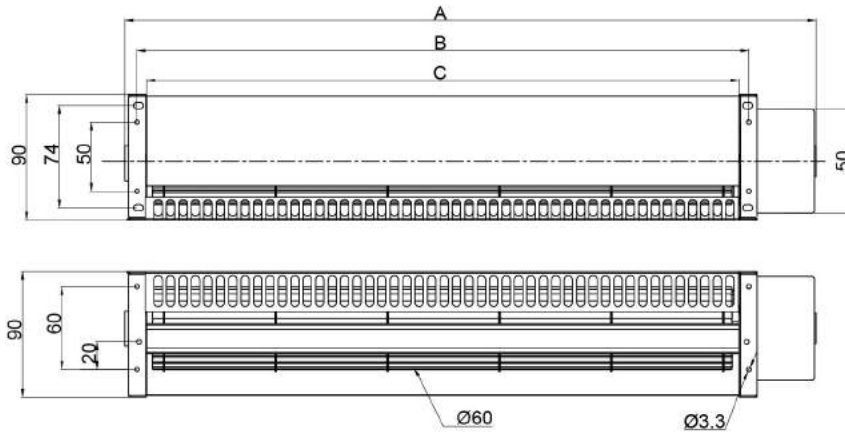
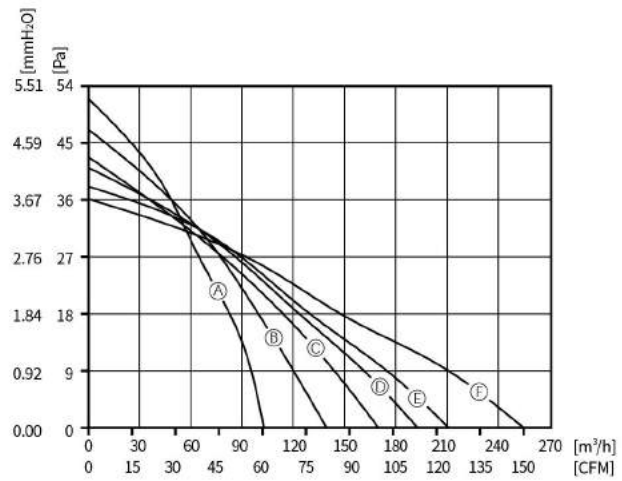


Model Part No.	Rated Voltage VDC	Operating Voltage VDC	Rated Current A	Rated Power W	Rated Speed RPM	Air Flow m³/h	Air Pressure Pa	Sound Level dB(A)	Air Outlet Length mm	Pitch Row mm	Total Length mm
PC50B12100A (A)	12	9~15	0.16	1.92	2400	50	35	38	100	110	155
PC50B24100A (A)	24	16~28	0.10	2.40	2400	50	35	38	100	110	155
PC50B12160A (B)	12	9~15	0.26	3.12	2400	90	39	39	160	170	215
PC50B24160A (B)	24	16~28	0.13	3.12	2400	90	39	39	160	170	215
PC50B12200A (C)	12	9~15	0.30	3.60	2400	120	42	41	200	210	256
PC50B24200A (C)	24	16~28	0.17	4.08	2400	120	42	41	200	210	256
PC50B12250A (D)	12	9~15	0.33	3.96	2400	150	42	42	250	260	302
PC50B24250A (D)	24	16~28	0.18	4.32	2400	150	42	42	250	260	302
PC50B12300A (E)	12	9~15	0.40	4.80	2400	180	42	43	300	310	340
PC50B24300A (E)	24	16~28	0.20	4.80	2400	180	42	43	300	310	340
PC50B12360A (F)	12	9~15	0.44	5.28	2400	210	42	44	360	370	410
PC50B24360A (F)	24	16~28	0.22	5.28	2400	210	42	44	360	370	410
PC50B12418B (G)	12	9~15	0.51	6.12	2400	250	42	46	420	430	475
PC50B24418B (G)	24	16~28	0.25	6.00	2400	250	42	46	420	430	475



## Ø60mm DC Cross Flow Fan

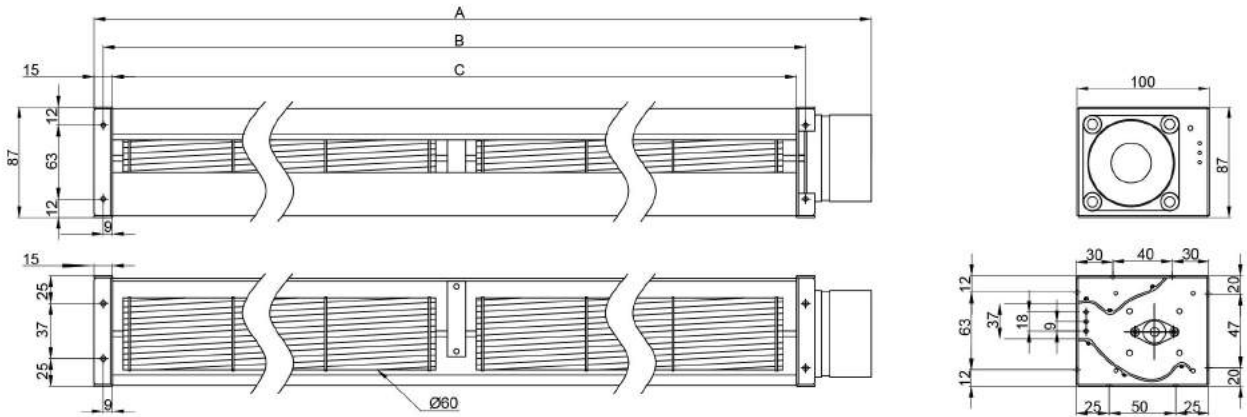
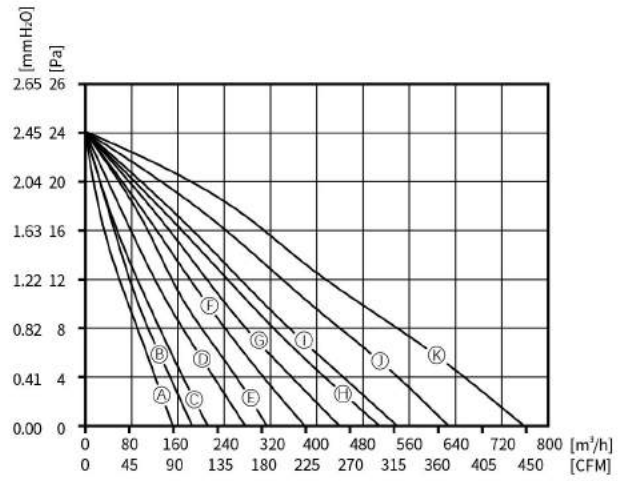
DC Cross Flow Fan



Model Part No.	Rated Voltage VDC	Operating Voltage VDC	Rated Current A	Rated Power W	Rated Speed RPM	Air Flow m³/h	Air Pressure Pa	Sound Level dB(A)	Air Outlet Length mm	Pitch Row mm	Total Length mm
PC60B12123F (A)	12	9~15	0.74	8.88	2600	102	52	45	123	138	186
PC60B24123F (A)	24	16~28	0.35	8.40	2600	102	52	45	123	138	186
PC60B12184F (B)	12	9~15	1.00	12.00	2400	139	47	45	184	199	246
PC60B24184F (B)	24	16~28	0.47	11.28	2350	139	47	45	184	199	246
PC60B12245F (C)	12	9~15	1.20	14.40	2200	169	43	45	245	259	307
PC60B24245F (C)	24	16~28	0.55	13.20	2200	169	43	45	245	259	307
PC60B12306F (D)	12	9~15	1.35	16.20	2100	192	41	43	306	321	368
PC60B24306F (D)	24	16~28	0.63	15.12	2000	192	41	43	306	321	368
PC60B12368F (E)	12	9~15	1.45	17.40	2000	212	38	43	368	383	430
PC60B24368F (E)	24	16~28	0.67	16.08	1900	212	38	42	368	383	430
PC60B12429F (F)	12	9~15	1.53	18.36	1900	254	36	42	429	444	492
PC60B24429F (F)	24	16~28	0.73	17.52	1800	254	36	42	429	444	492
PC60B24429F (F)	24	16~28	2.55	61.2	3200	537	86	56	429	444	492

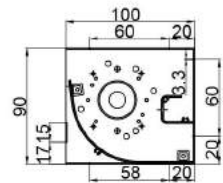
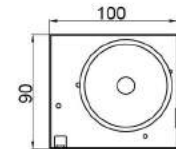
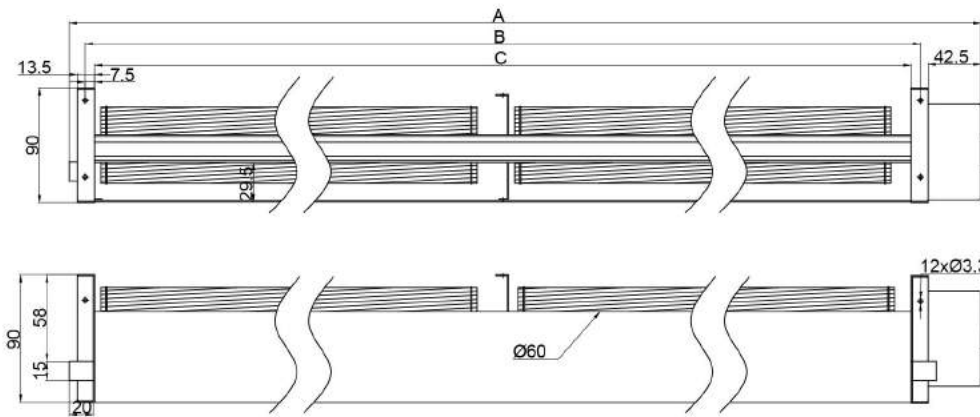
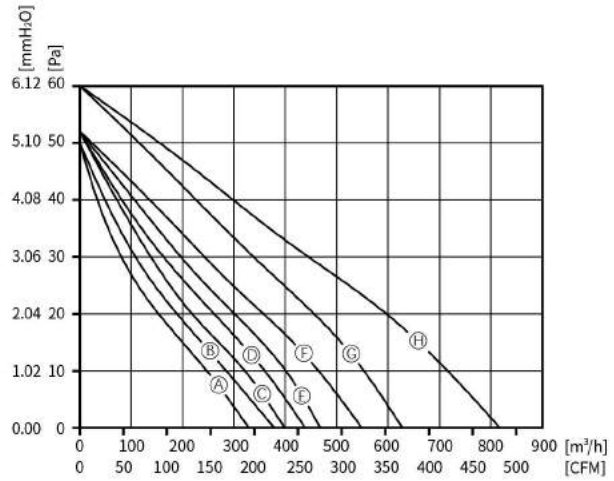
# Ø60mm DC Cross Flow Fan

DC Cross Flow Fan



Model Part No.	Rated Voltage VDC	Operating Voltage VDC	Rated Current A	Rated Power W	Rated Speed RPM	Air Flow m³/h	Air Pressure Pa	Sound Level dB(A)	Air Outlet Length mm	Pitch Row mm	Total Length mm
PC60B24250Z (A)	24	16-28	0.20	4.80	2400	152	22	40	250	268	310
PC60B24310Z (B)	24	16-28	0.25	6.00	2400	186	24	40	310	328	370
PC60B24350Z (C)	24	16-28	0.30	7.20	2400	212	24	41	350	368	410
PC60B24425Z (D)	24	16-28	0.40	9.60	2400	277	24	42	425	443	485
PC60B24520Z (E)	24	16-28	0.45	10.8	2400	315	24	43	520	538	580
PC60B24610Z (F)	24	16-28	0.60	14.4	2400	380	24	44	610	658	693
PC60B24750Z (G)	24	16-28	0.65	15.6	2400	440	24	44	750	768	833
PC60B24870Z (H)	24	16-28	0.80	19.2	2400	510	24	46	870	888	953
PC60B24920Z (I)	24	16-28	0.85	20.4	2400	540	24	46	920	938	1003
PC60B241080Z (J)	24	16-28	1.00	24.0	2400	630	24	47	1080	1098	1163
PC60B241300Z (K)	24	16-28	1.20	28.8	2400	760	24	47	1300	1318	1383

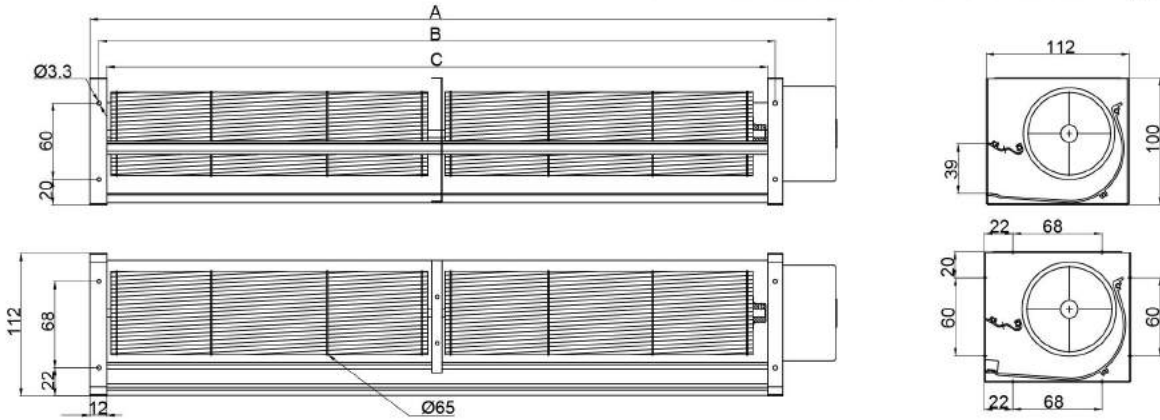
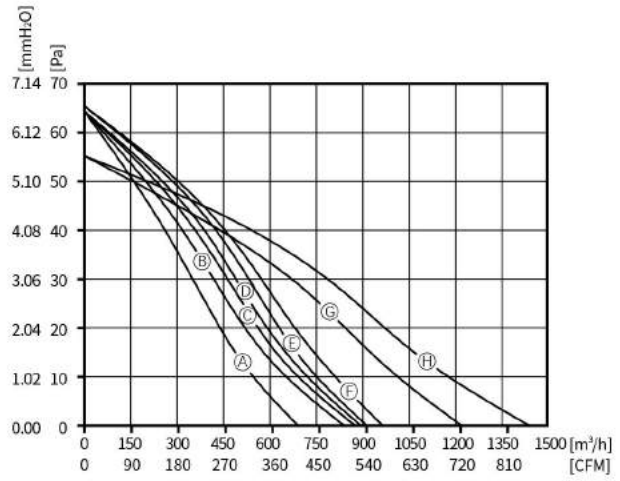
# Ø60mm DC Cross Flow Fan



Model Part No.	Rated Voltage VDC	Operating Voltage VDC	Rated Current A	Rated Power W	Rated Speed RPM	Air Flow M³/H	Air Pressure Pa	Sound Level dB(A)	Air Outlet Length mm	Pitch Row mm	Total Length mm
PC60B24520L (A)	24	16~28	0.60	14.4	1800	330	50	47	520	535	600
PC60B24610L (B)	24	16~28	0.60	14.4	1800	380	50	47	610	625	690
PC60B24640L (C)	24	16~28	0.70	16.8	1800	400	52	48	640	655	720
PC60B24700L (D)	24	16~28	0.70	16.8	1800	440	52	48	700	715	780
PC60B24750L (E)	24	16~28	0.80	19.2	1800	470	52	48	750	765	830
PC60B24870L (F)	24	16~28	1.00	24.0	1800	550	52	49	870	885	950
PC60B241105L (G)	24	16~28	1.50	36.0	1800	630	60	52	1105	1120	1185
PC60B241305L (H)	24	16~28	2.20	52.8	1800	820	60	54	1305	1320	1385

# Ø65mm DC Cross Flow Fan

DC Cross Flow Fan



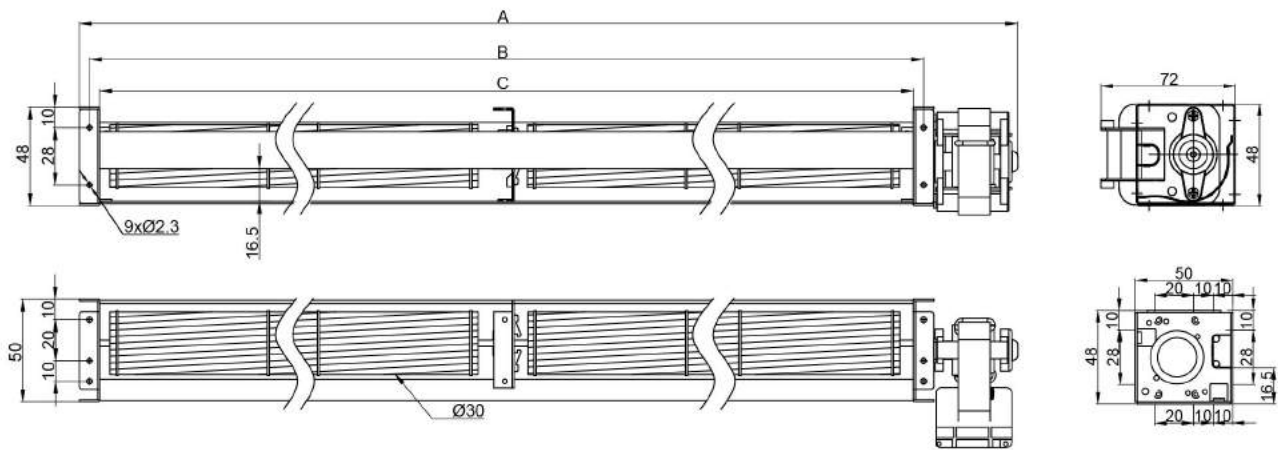
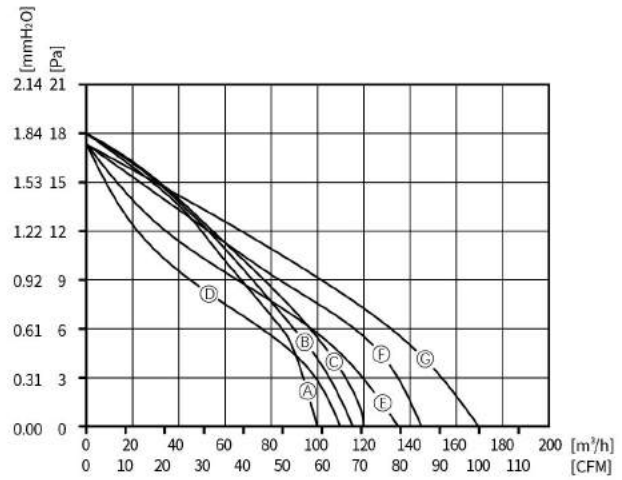
Model Part No.	Rated Voltage VDC	Operating Voltage VDC	Rated Current A	Rated Power W	Rated Speed RPM	Air Flow M <sup>3</sup> /H	Air Pressure Pa	Sound Level dB(A)	Air Outlet Length mm	Pitch Row mm	Total Length mm
PC65B12520L (A)	12	9~15	2.70	32.4	1800	705	64	50	520	532	589
PC65B24520L (A)	24	16~28	1.20	28.8	1800	705	64	51	520	532	589
PC65B12620L (B)	12	9~15	2.50	30.0	1800	825	64	50	620	632	659
PC65B24620L (B)	24	16~28	1.25	30.0	1800	825	64	50	620	632	659
PC65B12720L (C)	12	9~15	2.60	31.2	1800	860	64	50	720	732	789
PC65B24720L (C)	24	16~28	1.30	31.2	1800	860	64	50	720	732	789
PC65B12750L (D)	12	9~15	2.80	33.6	1800	880	64	50	750	762	819
PC65B24750L (D)	24	16~28	1.40	33.6	1800	880	64	50	750	762	819
PC65B12820L (E)	12	9~15	3.00	36.0	1800	920	65	53	820	832	889
PC65B24820L (E)	24	16~28	1.50	36.0	1800	920	65	53	820	832	889
PC65B12870L (F)	12	9~15	3.20	38.4	1800	970	65	53	870	882	939
PC65B24870L (F)	24	16~28	1.60	38.4	1800	970	65	53	870	882	939
PC65B241105L (G)	12	9~15	4.20	100.8	1600	1225	55	56	1105	1117	1174
PC65B241305L (H)	24	16~28	4.20	100.8	1600	1445	55	56	1305	1317	1374



## AC Series



# Ø30mm AC Cross Flow Fan

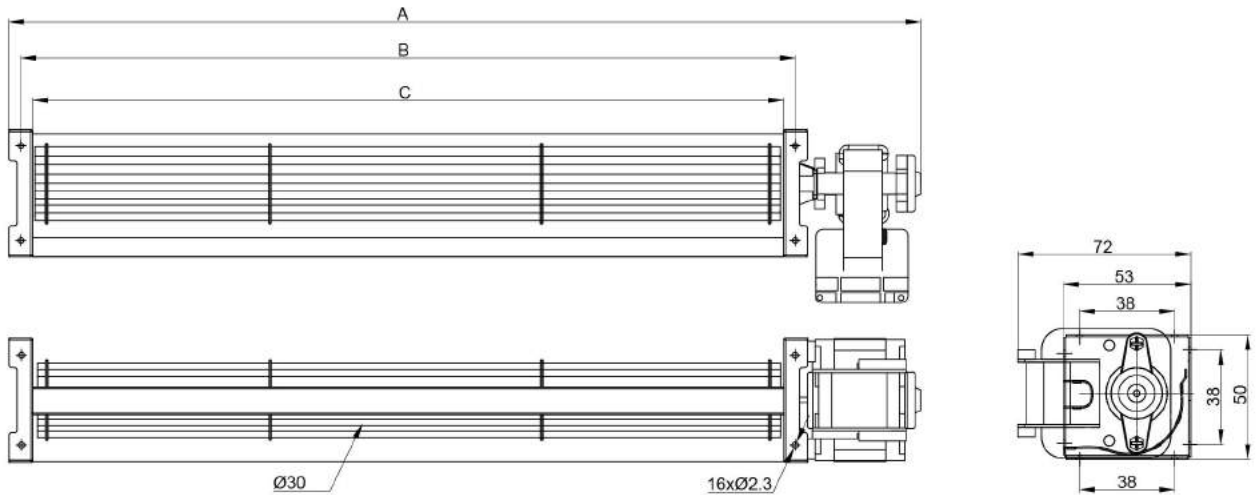
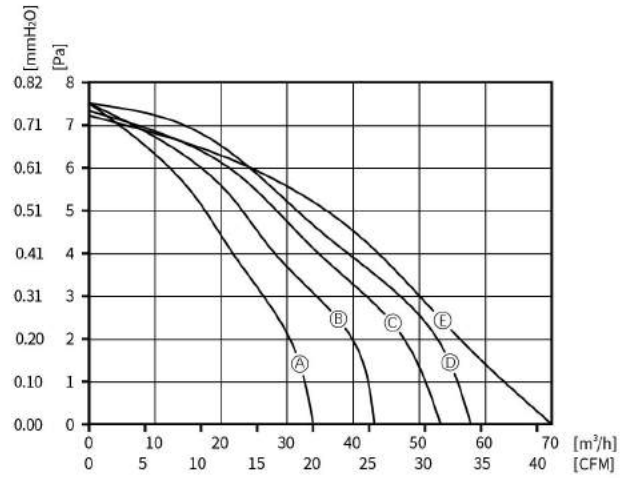


Model Part No.	Rated Voltage VAC	Operating Voltage VAC	Frequency Hz	Rated Current A	Rated Power W	Rated Speed RPM	Air Flow M³/H	Air Pressure Pa	Sound Level dB(A)	Air Outlet Length mm	Pitch Row mm	Total Length mm
PC30B2A530L (A)	230	184~270	50	0.14	17.0	2400	100	18	33	530	540	605
PC30B2A610L (B)	230	184~270	50	0.15	17.0	2400	115	18	32	610	620	685
PC30B2A718L (C)	230	184~270	50	0.15	18.0	2400	120	18	35	718	728	793
PC30B2A800L (D)	230	184~270	50	0.15	18.0	2400	110	17	35	800	810	875
PC30B2A854L (E)	230	184~270	50	0.15	18.0	2400	135	17	36	854	864	929
PC30B2A920L (F)	230	184~270	50	0.15	18.0	2400	145	17	36	920	930	995
PC30B2A986L (G)	230	184~270	50	0.15	18.0	2400	170	17	38	986	996	1061

AC Cross Flow Fan

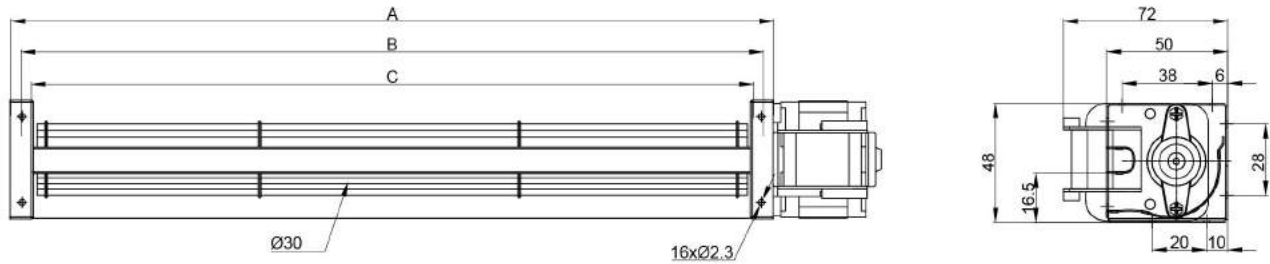
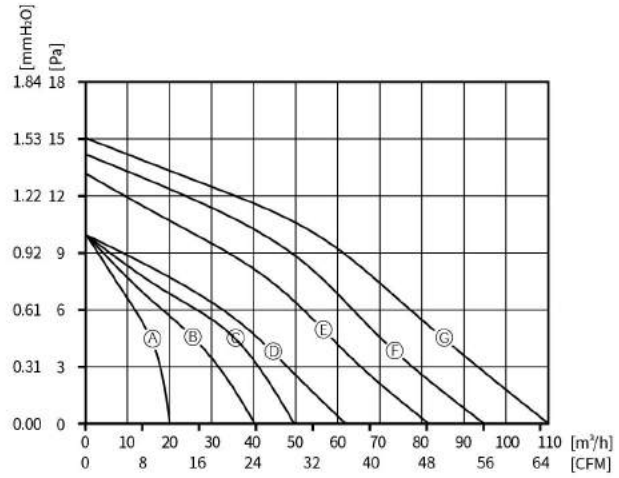
## Ø30mm AC Cross Flow Fan

AC Cross Flow Fan



Model Part No.	Rated Voltage VAC	Operating Voltage VAC	Frequency Hz	Rated Current A	Rated Power W	Rated Speed RPM	Air Flow M <sup>3</sup> /H	Air Pressure Pa	Sound Level dB(A)	Air Outlet Length mm	Pitch Row mm	Total Length mm
PC30B2A198A (A)	230	184-270	50	0.10	12.0	2600	34	7.5	30	198	208	263
PC30B2A248A (B)	230	184-270	50	0.12	13.0	2600	43	7.5	32	248	258	313
PC30B2A300A (C)	230	184-270	50	0.12	12.0	2600	52	7.3	34	300	310	365
PC30B2A352A (D)	230	184-270	50	0.11	11.2	2600	58	7.5	36	352	362	417
PC30B2A420A (E)	230	184-270	50	0.08	11.5	2600	70	7.2	36	420	430	485

# Ø30mm AC Cross Flow Fan



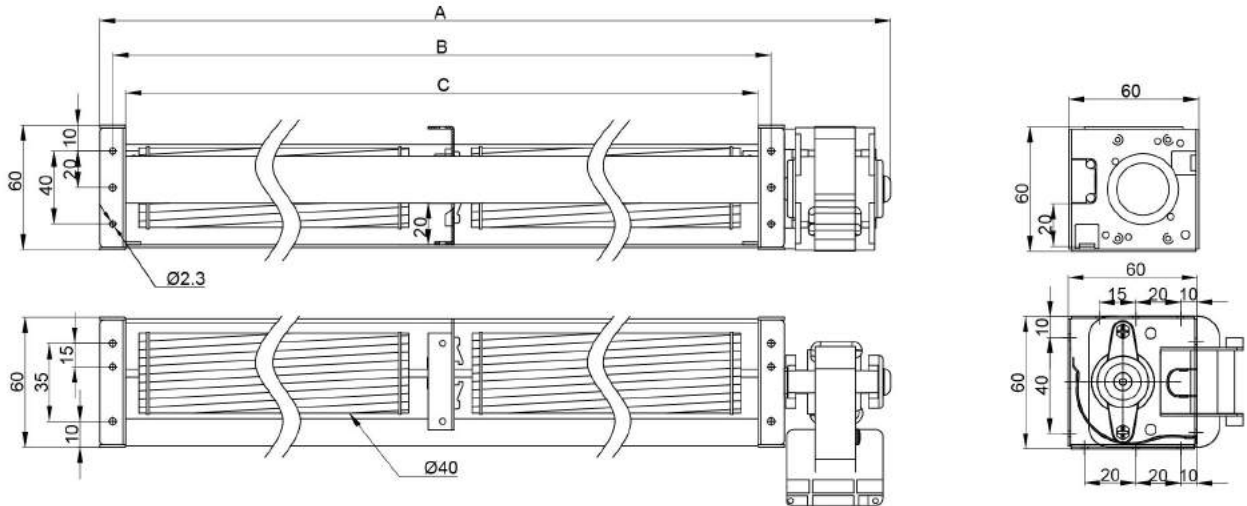
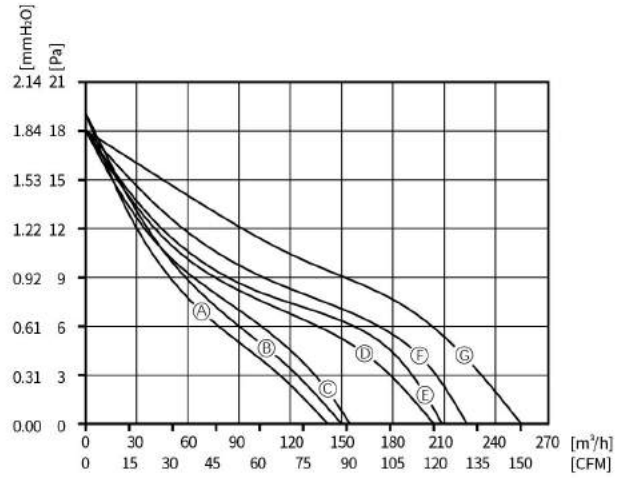
Model Part No.	Rated Voltage VAC	Operating Voltage VAC	Frequency Hz	Rated Current A	Rated Power W	Rated Speed RPM	Air Flow m³/h	Air Pressure Pa	Sound Level dB(A)	Air Outlet Length mm	Pitch Row mm	Total Length mm
PC30B1A98B (A)	115	92~138	60	0.25	15.3	3300	25	11	31	98	108	158
PC30B2A98B (A)	230	184~270	50	0.11	13.5	2700	20	10	31	98	108	158
PC30B1A160B (B)	115	92~138	60	0.25	16.5	3200	48	11	32	160	170	222
PC30B2A160B (B)	230	184~270	50	0.11	13.4	2700	41	10	32	160	170	222
PC30B1A198B (C)	115	92~138	60	0.25	15.8	3100	60	13	32	198	208	258
PC30B2A198B (C)	230	184~270	50	0.11	13.7	2600	50	10	32	198	208	258
PC30B1A248B (D)	115	92~138	60	0.25	15.8	3100	60	13	32	248	258	308
PC40B2A248B (D)	230	184~270	50	0.11	14.4	2500	62	10	32	248	258	308
PC30B1A300B (E)	115	92~138	60	0.25	16.7	2900	90	15	34	300	310	360
PC40B2A300B (E)	230	184~270	50	0.11	14.4	2500	81	13	33	300	310	360
PC30B1A352B (F)	115	92~138	60	0.26	16.9	2780	106	15	35	352	362	412
PC30B2A352B (F)	230	184~270	50	0.14	14.4	2500	96	14	35	352	362	412
PC30B1A420B (G)	115	92~138	60	0.27	19.5	2500	110	15	36	420	430	480
PC30B2A420B (G)	230	184~270	50	0.15	17.5	2500	110	15	36	420	430	480

AC Cross Flow Fan



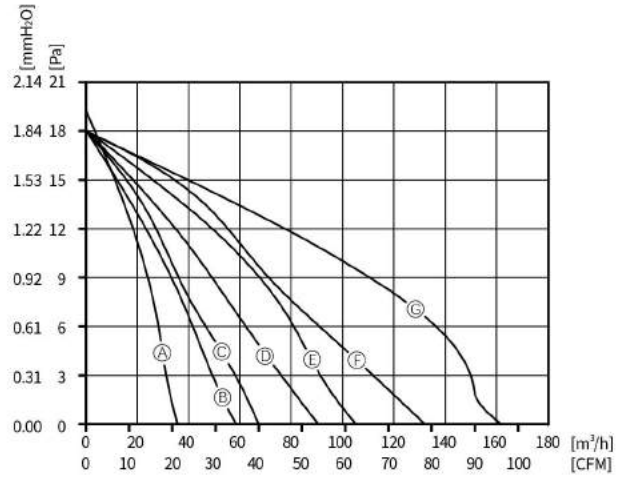
# Ø40mm AC Cross Flow Fan

AC Cross Flow Fan

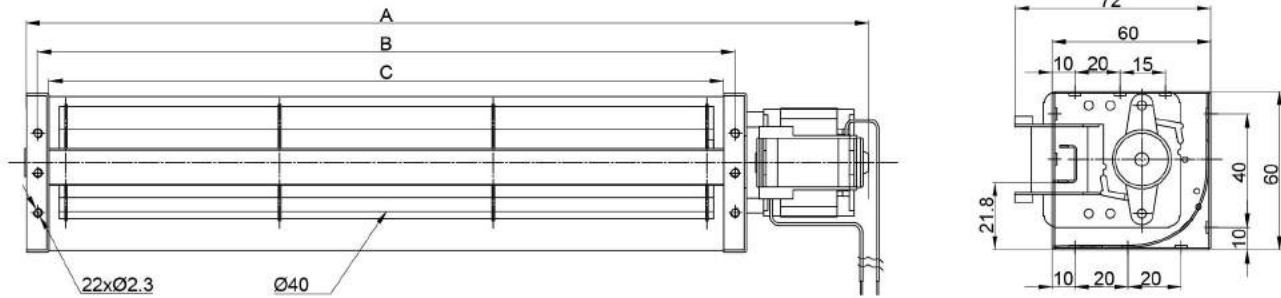


Model Part No.	Rated Voltage VAC	Operating Voltage VAC	Frequency Hz	Rated Current A	Rated Power W	Rated Speed RPM	Air Flow M³/H	Air Pressure Pa	Sound Level dB(A)	Air Outlet Length mm	Pitch Row mm	Total Length mm
PC40B2A530L (A)	230	184~270	50	0.16	20.0	2000	140	19	36	530	540	600
PC40B2A610L (B)	230	184~270	50	0.16	20.0	1950	150	19	35	610	620	680
PC40B2A700L (C)	230	184~270	50	0.16	21.0	1750	155	18	34	700	710	770
PC40B2A800L (D)	230	184~270	50	0.14	16.0	2300	205	18	36	800	810	870
PC40B2A854L (E)	230	184~270	50	0.14	16.0	2200	209	18	37	854	864	924
PC40B2A920L (F)	230	184~270	50	0.18	17.0	2100	222	18	37	920	930	990
PC40B2A1055L (G)	230	184~270	50	0.22	17.0	2100	255	18	38	1055	1065	1125

# Ø40mm AC Cross Flow Fan



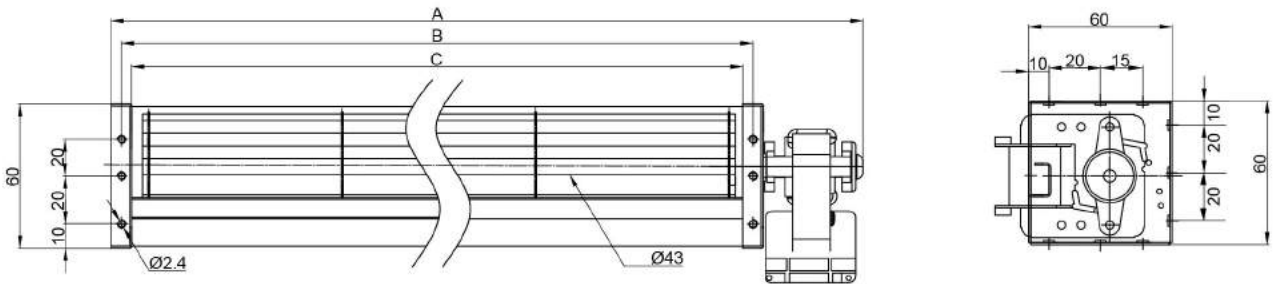
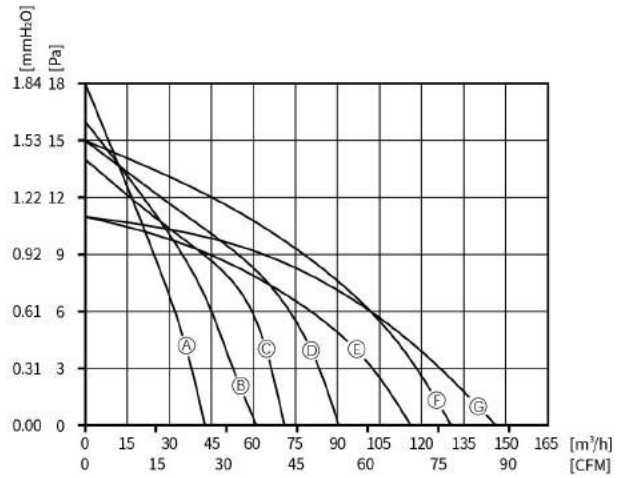
AC Cross Flow Fan



Model Part No.	Rated Voltage VAC	Operating Voltage VAC	Frequency Hz	Rated Current A	Rated Power W	Rated Speed RPM	Air Flow m³/h	Air Pressure Pa	Sound Level dB(A)	Air Outlet Length mm	Pitch Row mm	Total Length mm
PC40B1A98B (A)	115	92~138	60	0.23	16.2	3200	40	25	35	98	108	158
PC40B2A98B (A)	230	184~270	50	0.10	13.9	2700	36	20	35	98	108	158
PC40B1A160B (B)	115	92~138	60	0.24	16.8	3000	62	24	36	160	170	220
PC40B2A160B (B)	230	184~270	50	0.11	14.6	2500	57	19	36	160	170	220
PC40B1A198B (C)	115	92~138	60	0.25	17.2	2900	77	24	38	198	208	258
PC40B2A198B (C)	230	184~270	50	0.11	14.5	2400	68	19	36	198	208	258
PC40B1A250B (D)	115	92~138	60	0.32	21.9	3000	98	24	38	250	260	315
PC40B2A250B (D)	230	184~270	50	0.13	18.5	2500	90	19	37	250	260	315
PC40B1A300B (E)	115	92~138	60	0.33	22.6	2800	113	23	39	300	310	365
PC40B2A300B (E)	230	184~270	50	0.13	18.7	2400	106	19	38	300	310	365
PC40B1A348B (F)	115	92~138	60	0.30	20.5	2900	152	24	39	348	358	418
PC40B2A348B (F)	230	184~270	50	0.14	19.6	2500	132	19	37	348	358	418
PC40B1A420B (G)	115	92~138	60	0.31	21.6	2700	170	22	38	420	430	490
PC40B2A420B (G)	230	184~270	50	0.14	20.0	2500	163	19	37	420	430	490

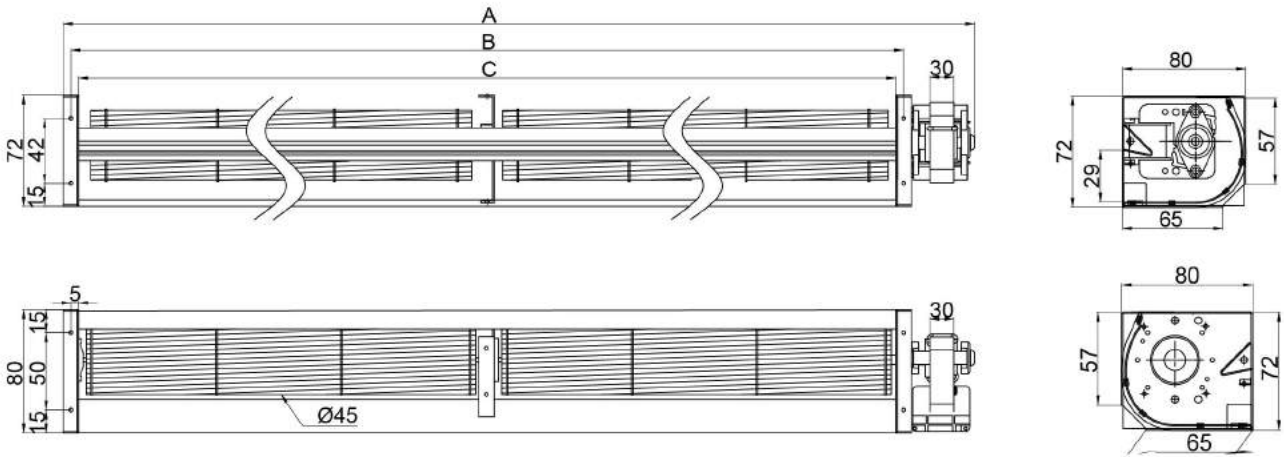
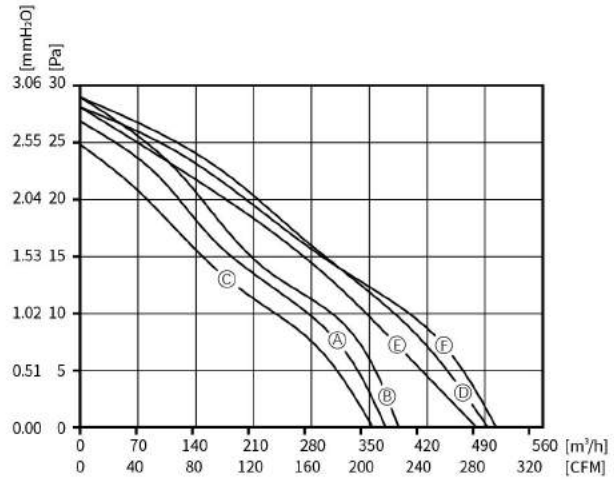
# Ø43mm AC Cross Flow Fan

AC Cross Flow Fan



Model Part No.	Rated Voltage VAC	Operating Voltage VAC	Frequency Hz	Rated Current A	Rated Power W	Rated Speed RPM	Air Flow M³/H	Air Pressure Pa	Sound Level dB(A)	Air Outlet Length mm	Pitch Row mm	Total Length mm
PC43B1A98C (A)	115	92~138	60	0.25	16.0	3100	48	22	37	98	108	158
PC43B2A98C (A)	230	184~270	50	0.12	14.0	2600	41	18	37	98	108	158
PC43B1A160C (B)	115	92~138	60	0.26	17.0	2900	72	22	38	160	170	218
PC43B2A160C (B)	230	184~270	50	0.12	15.0	2400	61	16	38	160	170	218
PC43B1A198C (C)	115	92~138	60	0.26	17.0	2800	86	22	39	198	208	265
PC43B2A198C (C)	230	184~270	50	0.12	15.0	2300	70	14	38	198	208	265
PC43B1A250C (D)	115	92~138	60	0.37	22.0	2400	110	21	39	250	260	316
PC43B2A250C (D)	230	184~270	50	0.15	19.0	2400	90	15	38	250	260	316
PC43B1A300C (E)	115	92~138	60	0.38	23.0	2700	135	21	40	300	310	370
PC43B2A300C (E)	230	184~270	50	0.16	19.0	2300	115	11	37	300	310	370
PC43B1A348C (F)	115	92~138	60	0.34	21.0	2700	150	19	41	348	358	417
PC43B2A348C (F)	230	184~270	50	0.18	21.0	2400	130	15	39	348	358	417
PC43B1A420C (G)	115	92~138	60	0.35	22.0	2700	170	20	42	420	430	491
PC43B2A420C (G)	230	184~270	50	0.18	20.0	2300	145	11	40	420	430	491

# Ø45mm AC Cross Flow Fan

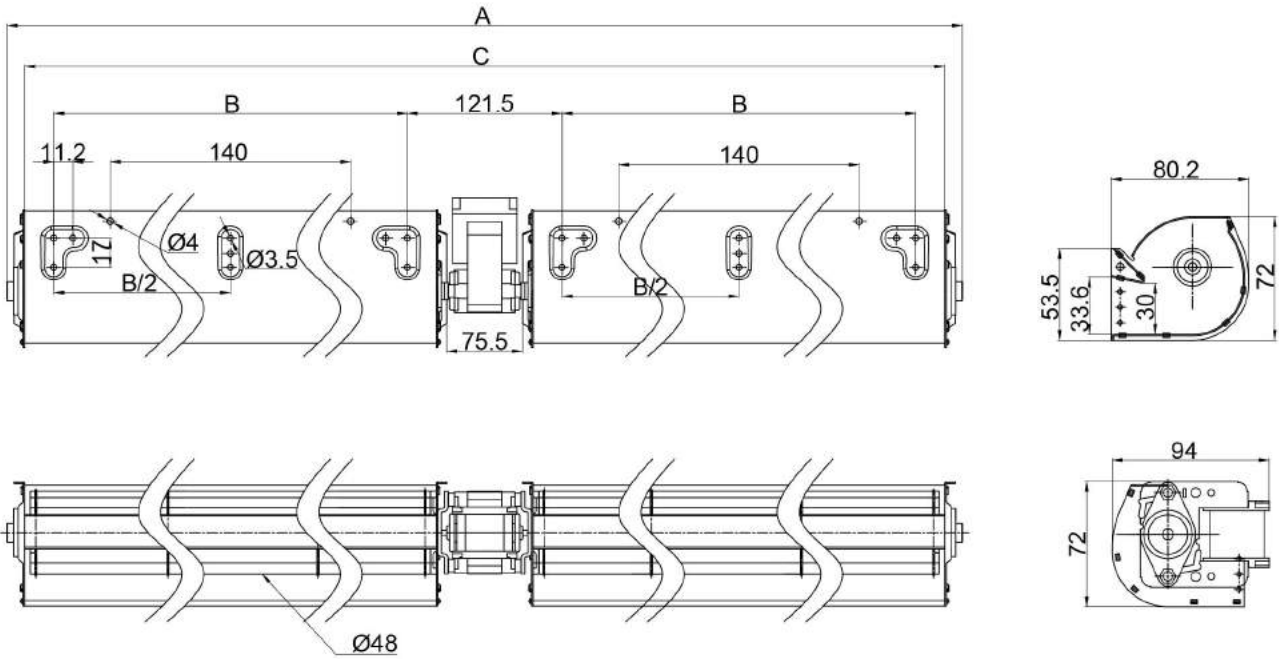
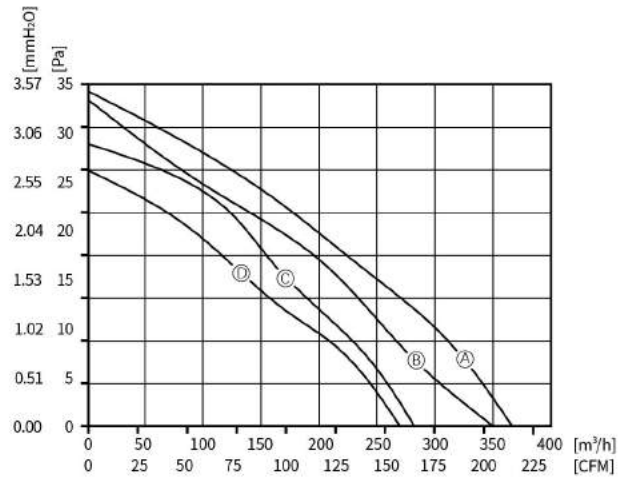


Model Part No.	Rated Voltage VAC	Operating Voltage VAC	Frequency Hz	Rated Current A	Rated Power W	Rated Speed RPM	Air Flow M³/H	Air Pressure Pa	Sound Level dB(A)	Air Outlet Length mm	Pitch Row mm	Total Length mm
PC45B2A530L (A)	230	184-270	50	0.28	39.0	2100	374	26	51	530	540	602
PC45B2A630L (B)	230	184-270	50	0.29	40.0	2000	384	28	50	630	640	702
PC45B2A700L (C)	230	184-270	50	0.29	41.0	1700	355	24	47	700	710	777
PC45B2A750L (D)	230	184-270	50	0.40	55.0	2000	495	28	51	750	760	842
PC45B2A820L (E)	230	184-270	50	0.40	55.0	1800	480	27	50	820	830	912
PC45B2A870L (F)	230	184-270	50	0.40	56.0	1700	505	27	49	870	880	962

AC Cross Flow Fan

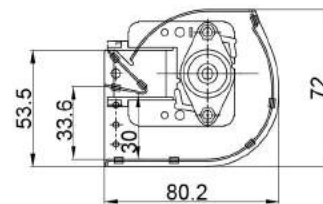
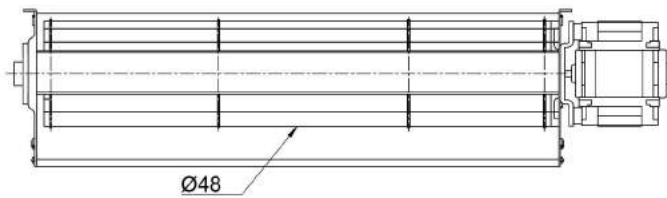
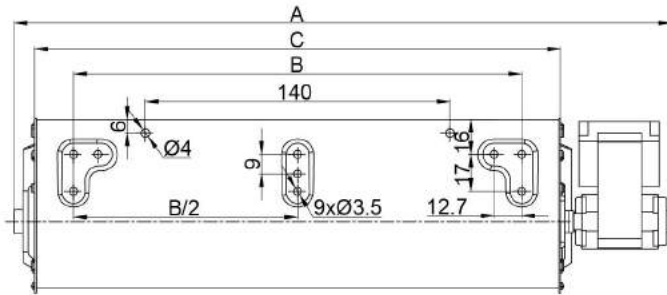
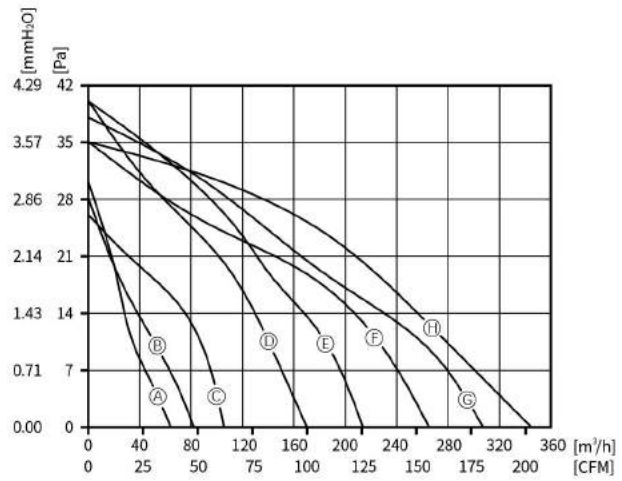
# Ø48mm AC Cross Flow Fan

AC Cross Flow Fan



Model Part No.	Rated Voltage VAC	Operating Voltage VAC	Frequency Hz	Rated Current A	Rated Power W	Rated Speed RPM	Air Flow M³/H	Air Pressure Pa	Sound Level dB(A)	Air Outlet Length mm	Pitch Row mm	Total Length mm
PC48B2A240C (A)	230	184~270	50	0.31	43.0	2300	370	34	42	572	208	584
PC48B2A300C (B)	230	184~270	50	0.33	46.0	2100	350	33	40	694	269	706
PC45B2A350C (C)	230	184~270	50	0.34	47.0	1500	290	28	38	784	314	796
PC45B2A420C (D)	230	184~270	50	0.34	47.0	1350	270	25	36	750	384	936

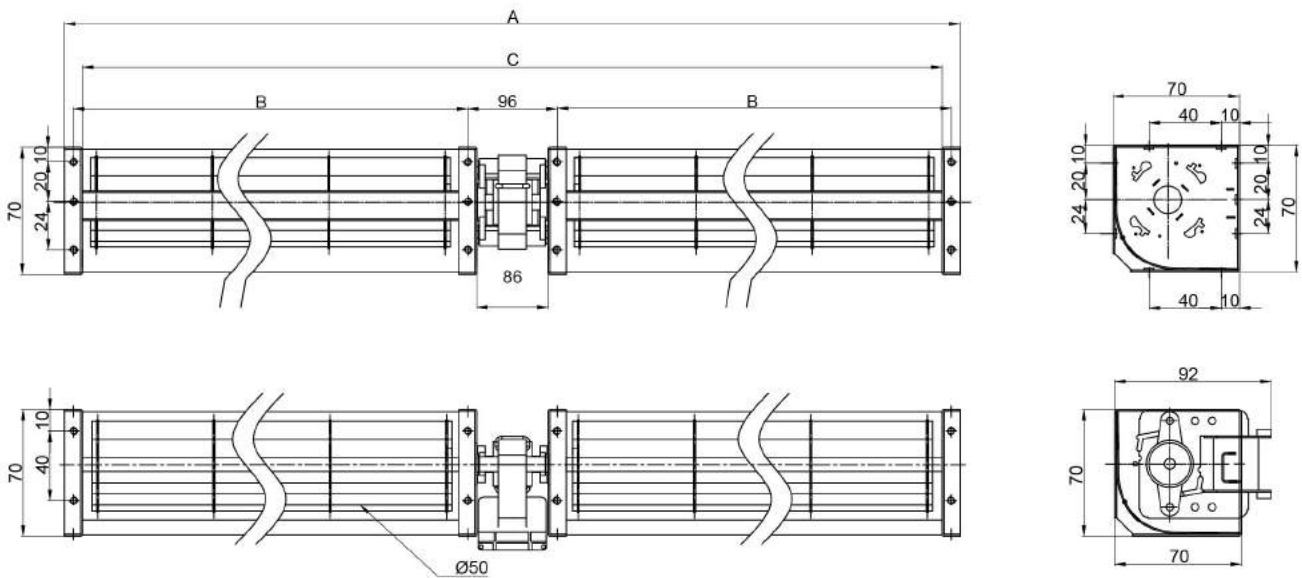
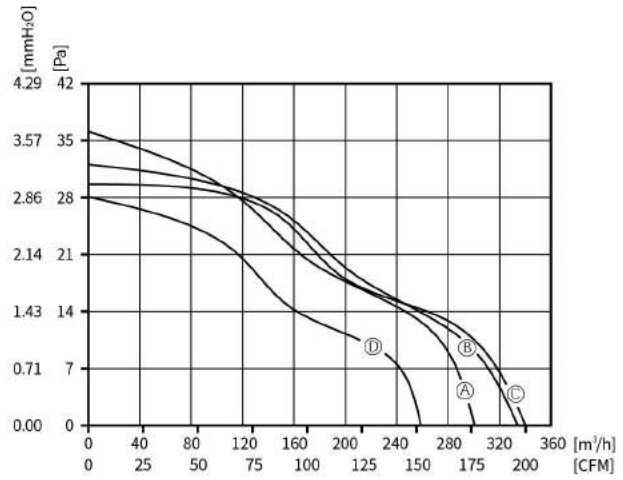
# Ø48mm AC Cross Flow Fan



Model Part No.	Rated Voltage VAC	Operating Voltage VAC	Frequency Hz	Rated Current A	Rated Power W	Rated Speed RPM	Air Flow M <sup>3</sup> /H	Air Pressure Pa	Sound Level dB(A)	Air Outlet Length mm	Pitch Row mm	Total Length mm
PC48B2A99B (A)	230	184~270	50	0.06	7.50	1800	64	30	36	99	66	150
PC48B2A150B (B)	230	184~270	50	0.18	11.0	1600	81	28	33	150	114	200
PC48B2A189B (C)	230	184~270	50	0.16	18.0	1500	105	26	32	189	154	246
PC48B2A240B (D)	230	184~270	50	0.25	29.0	2400	168	40	46	240	206	298
PC48B2A252B (E)	230	184~270	50	0.26	29.0	2400	213	40	46	252	216	310
PC48B2A303B (F)	230	184~270	50	0.28	30.0	2000	264	35	40	303	269	361
PC48B2A348B (G)	230	184~270	50	0.29	35.0	2200	307	38	43	348	314	413
PC48B2A418B (H)	230	184~270	50	0.32	35.0	2000	343	35	44	418	384	493

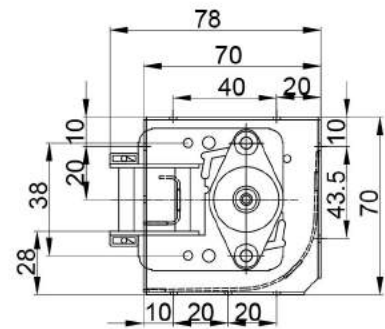
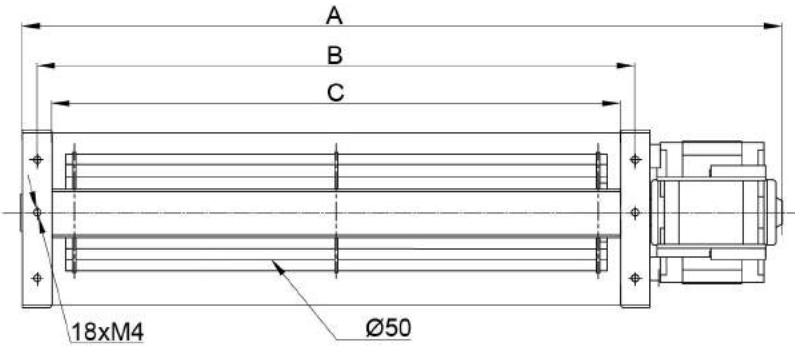
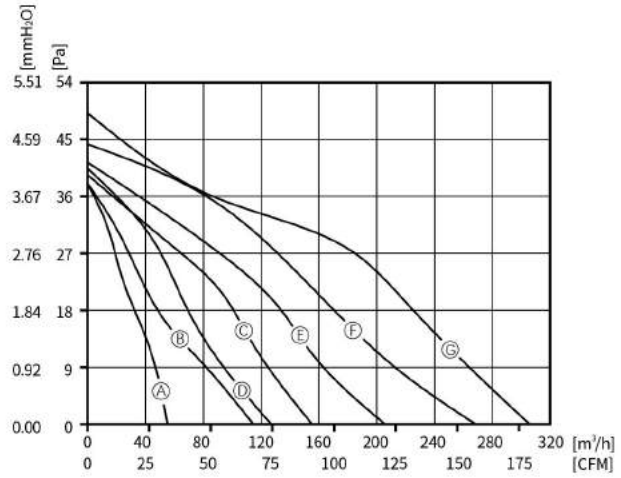
# Ø50mm AC Cross Flow Fan

AC Cross Flow Fan



Model Part No.	Rated Voltage VAC	Operating Voltage VAC	Frequency Hz	Rated Current A	Rated Power W	Rated Speed RPM	Air Flow M³/H	Air Pressure Pa	Sound Level dB(A)	Air Outlet Length mm	Pitch Row mm	Total Length mm
PC50B2A250C (A)	230	184~270	50	0.29	36.0	2400	300	36	42	612	258	632
PC50B2A290C (B)	230	184~270	50	0.32	40.0	2100	335	32	41	712	308	732
PC50B2A350C (C)	230	184~270	50	0.35	41.0	1800	340	30	38	832	368	852
PC50B2A420C (D)	230	184~270	50	0.35	42.0	1300	260	28	36	952	428	972

# Ø50mm AC Cross Flow Fan



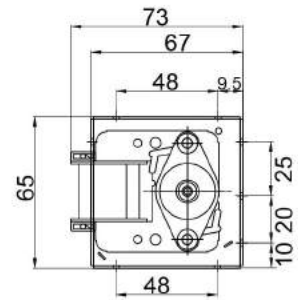
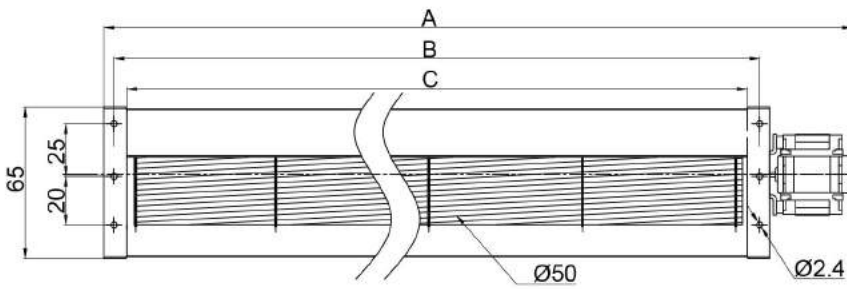
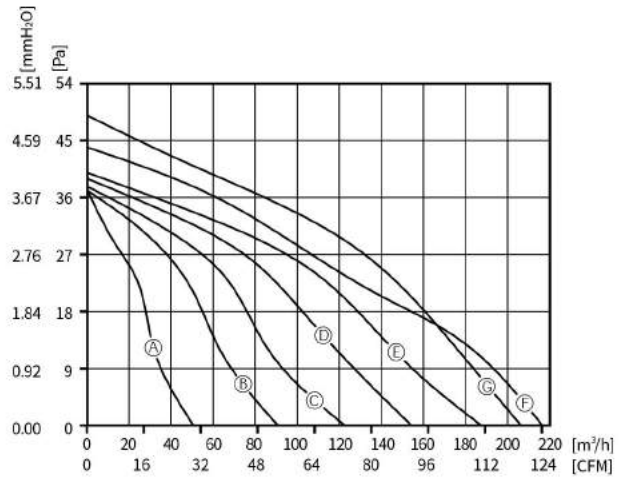
AC Cross Flow Fan

Model Part No.	Rated Voltage VAC	Operating Voltage VAC	Frequency Hz	Rated Current A	Rated Power W	Rated Speed RPM	Air Flow M³/H	Air Pressure Pa	Sound Level dB(A)	Air Outlet Length mm	Pitch Row mm	Total Length mm
PC50B1A98B (A)	115	92~138	60	0.45	27.2	3300	70	44	40	98	108	170
PC50B2A98B (A)	230	184~270	50	0.23	25.2	2800	56	37	40	98	108	170
PC50B1A158B (B)	115	92~138	60	0.47	30.1	3100	131	41	40	158	168	231
PC50B2A158B (B)	230	184~270	50	0.24	25.9	2700	115	37	40	158	168	231
PC50B1A198B (C)	115	92~138	60	0.48	32.1	2900	174	40	42	198	208	271
PC50B2A198B (C)	230	184~270	50	0.24	28.2	2600	158	38	42	198	208	271
PC50B1A248B (D)	115	92~138	60	0.50	33.5	3000	205	42	44	248	258	326
PC50B2A248B (D)	230	184~270	50	0.25	30.6	2600	128	39	42	248	258	326
PC50B1A298B (E)	115	92~138	60	0.52	34.5	2900	234	45	45	298	308	376
PC50B2A298B (E)	230	184~270	50	0.26	31.2	2600	208	40	43	298	308	376
PC50B1A358B (F)	115	92~138	60	0.92	58.0	3100	292	49	46	358	368	436
PC50B2A358B (F)	230	184~270	50	0.46	51.0	2700	271	44	44	358	368	436
PC50B1A418B (G)	115	92~138	60	0.96	62.4	3000	337	45	46	418	428	496
PC50B2A418B (G)	230	184~270	50	0.47	52.4	2600	308	49	44	418	428	496



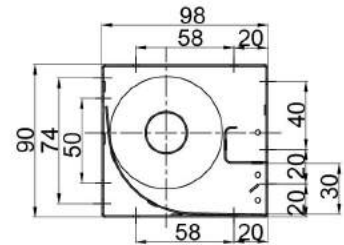
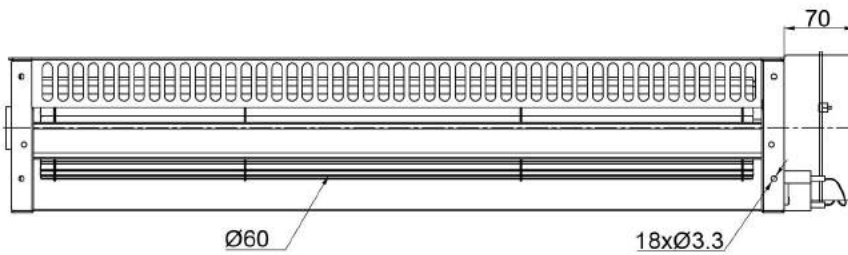
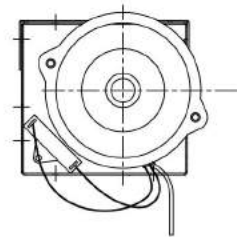
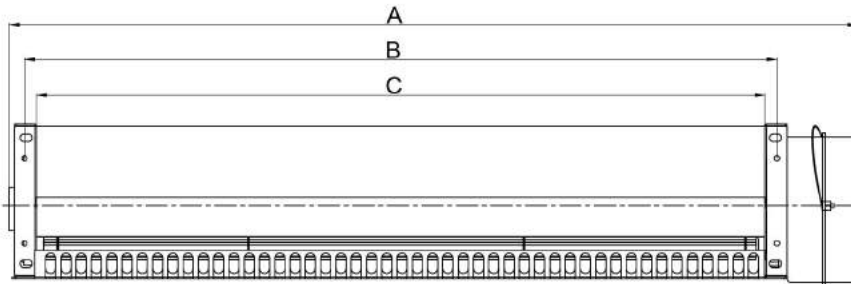
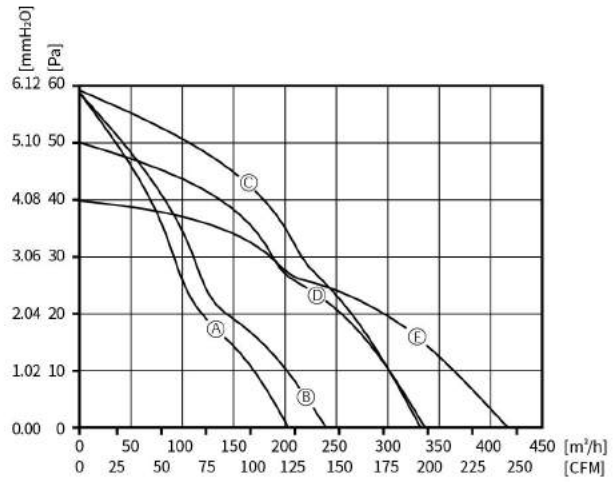
# Ø50mm AC Cross Flow Fan

AC Cross Flow Fan



Model Part No.	Rated Voltage VAC	Operating Voltage VAC	Frequency Hz	Rated Current A	Rated Power W	Rated Speed RPM	Air Flow M³/H	Air Pressure Pa	Sound Level dB(A)	Air Outlet Length mm	Pitch Row mm	Total Length mm
PC50B1A100A Ⓐ	115	92~138	60	0.37	20.7	3200	60	44	40	100	110	163
PC50B2A100A Ⓐ	230	184~270	50	0.15	17.0	2700	50	37	40	100	110	163
PC50B1A160A Ⓑ	115	92~138	60	0.38	21.6	3100	106	41	40	160	170	223
PC50B2A160A Ⓑ	230	184~270	50	0.15	17.3	2500	90	37	40	160	170	223
PC50B1A200A Ⓒ	115	92~138	60	0.38	23.3	3000	150	40	42	200	210	263
PC50B2A200A Ⓒ	230	184~270	50	0.16	17.6	2500	125	38	42	200	210	263
PC50B1A250A Ⓓ	115	92~138	60	0.38	19.7	3000	190	42	44	250	260	318
PC50B2A250A Ⓓ	230	184~270	50	0.18	19.8	2600	153	39	42	250	260	318
PC50B1A300A Ⓔ	115	92~138	60	0.32	20.0	2800	199	45	45	300	310	368
PC50B2A300A Ⓔ	230	184~270	50	0.18	19.6	2500	187	40	43	300	310	368
PC50B1A360A Ⓕ	115	92~138	60	0.33	20.9	2700	225	49	48	360	370	428
PC50B2A360A Ⓕ	230	184~270	50	0.18	20.0	2500	216	44	48	360	370	428
PC50B1A420A Ⓖ	115	92~138	60	0.35	21.1	2500	252	54	52	420	430	488
PC50B2A420A Ⓖ	230	184~270	50	0.19	21.1	2300	206	49	49	420	430	488

# Ø60mm AC Cross Flow Fan

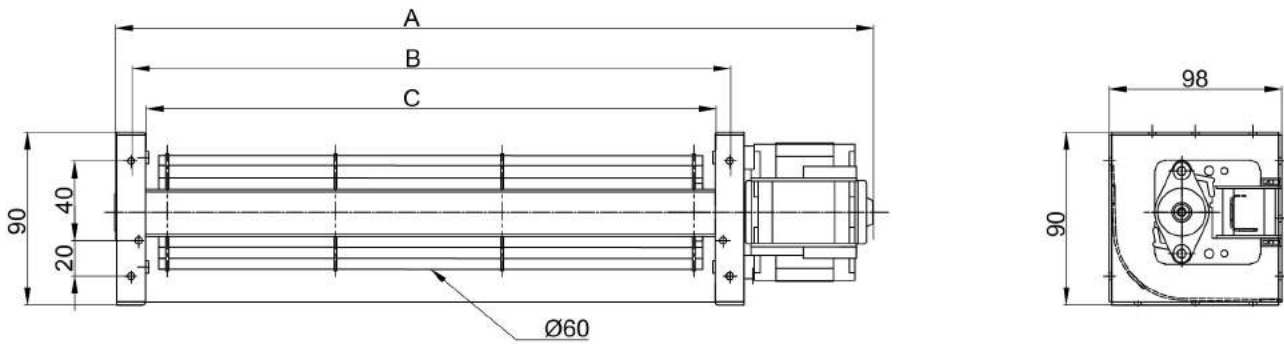
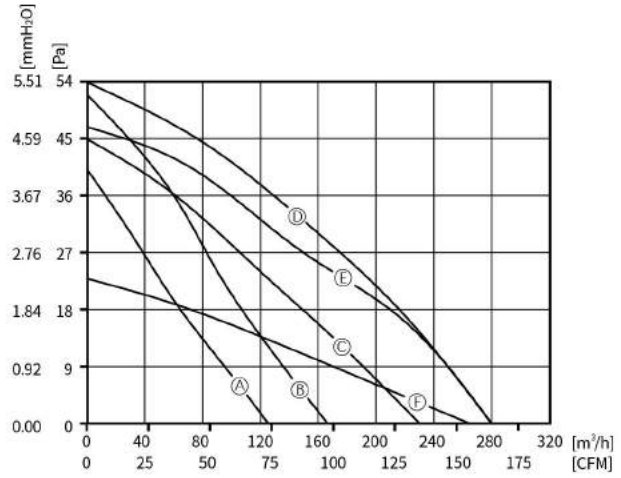


AC Cross Flow Fan

Model Part No.	Rated Voltage VAC	Operating Voltage VAC	Frequency Hz	Rated Current A	Rated Power W	Rated Speed RPM	Air Flow M³/H	Air Pressure Pa	Sound Level dB(A)	Air Outlet Length mm	Pitch Row mm	Total Length mm
PC60B2A184D (A)	230	184~270	50	0.24	28.0	2800	203	58	46	184	199	285
PC60B2A245D (B)	230	184~270	50	0.13	30.0	2700	239	58	45	245	308	345
PC60B2A306D (C)	230	184~270	50	0.15	33.0	2700	331	59	47	306	321	405
PC60B2A368D (D)	230	184~270	50	0.16	35.0	2600	337	49	49	368	383	468
PC60B2A429D (E)	230	184~270	50	0.17	37.0	2500	417	40	50	429	444	530

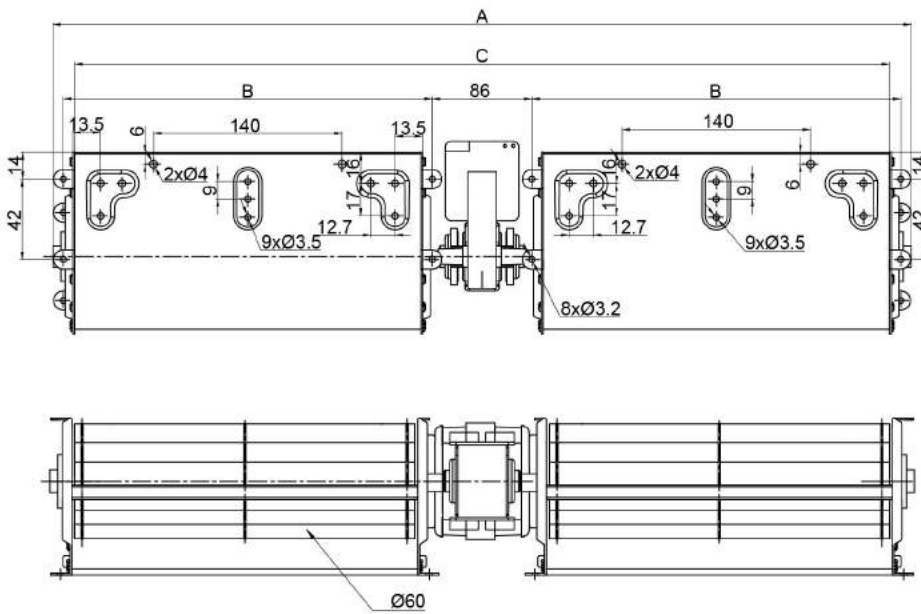
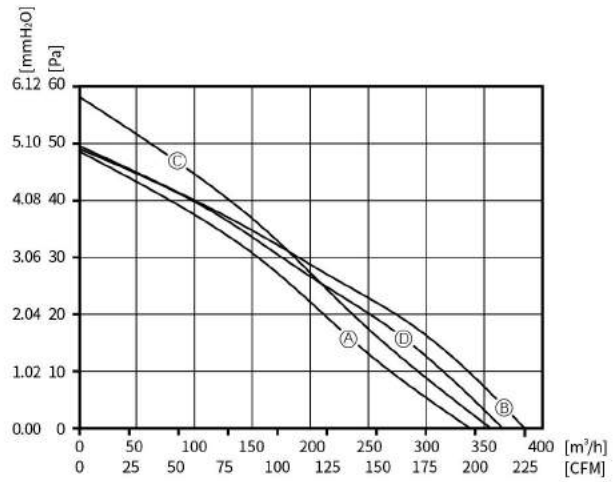
# Ø60mm AC Cross Flow Fan

AC Cross Flow Fan



Model Part No.	Rated Voltage VAC	Operating Voltage VAC	Frequency Hz	Rated Current A	Rated Power W	Rated Speed RPM	Air Flow M³/H	Air Pressure Pa	Sound Level dB(A)	Air Outlet Length mm	Pitch Row mm	Total Length mm
PC60B1A123F (A)	115	92~138	60	0.47	30.9	3000	141	47	40	123	138	190
PC60B2A123F (A)	230	184~270	50	0.24	28.5	2700	125	40	40	123	138	190
PC60B1A184F (B)	115	92~138	60	0.54	34.4	2600	180	54	47	184	199	251
PC60B2A184F (B)	230	184~270	50	0.25	32.1	2500	166	52	47	184	199	251
PC60B1A245F (C)	115	92~138	60	0.57	35.8	2000	200	50	41	245	260	312
PC60B2A245F (C)	230	184~270	50	0.27	34.0	2300	230	45	44	245	260	312
PC60B1A306F (D)	115	92~138	60	0.99	62.5	2400	270	54	46	306	321	378
PC60B2A306F (D)	230	184~270	50	0.47	53.1	2300	280	54	46	306	321	378
PC60B1A368F (E)	115	92~138	60	1.01	64.1	1900	280	41	43	368	382	440
PC60B2A368F (E)	230	184~270	50	0.49	56.9	1950	280	47	43	368	382	440
PC60B1A429F (F)	115	92~138	60	1.01	64.5	1600	245	21	43	429	444	501
PC60B2A429F (F)	230	184~270	50	0.41	39.0	1800	265	23	44	429	444	501

# Ø60mm AC Cross Flow Fan

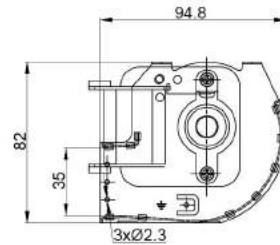
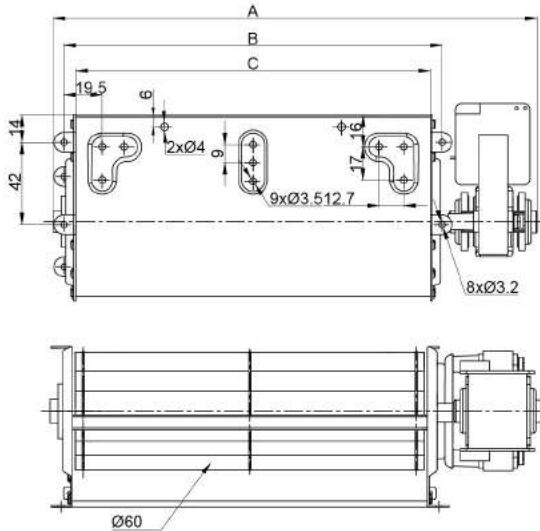
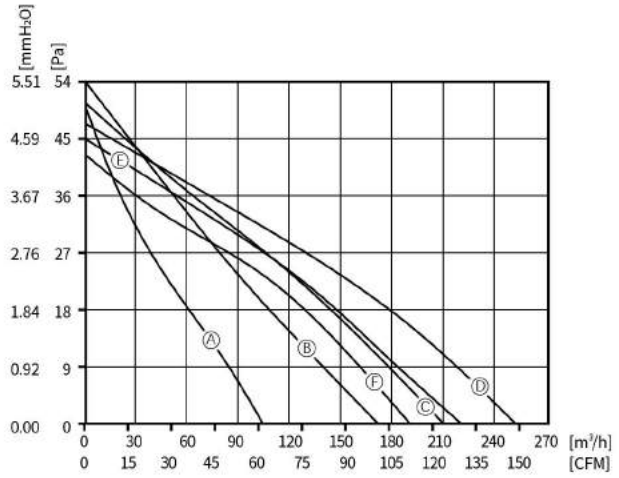


Model Part No.	Rated Voltage VAC	Operating Voltage VAC	Frequency Hz	Rated Current A	Rated Power W	Rated Speed RPM	Air Flow M³/H	Air Pressure Pa	Sound Level dB(A)	Air Outlet Length mm	Pitch Row mm	Total Length mm
PC60B2A240C (A)	230	184~270	50	0.36	40.0	1700	335	47	40	578	254	588
PC60B2A300C (B)	230	184~270	50	0.36	40.0	1550	382	49	42	710	315	720
PC60B2A350C (C)	230	184~270	50	0.36	41.0	1300	355	58	45	810	365	820
PC60B2A420C (D)	230	184~270	50	0.37	41.0	1100	368	48	48	940	430	950

AC Cross Flow Fan

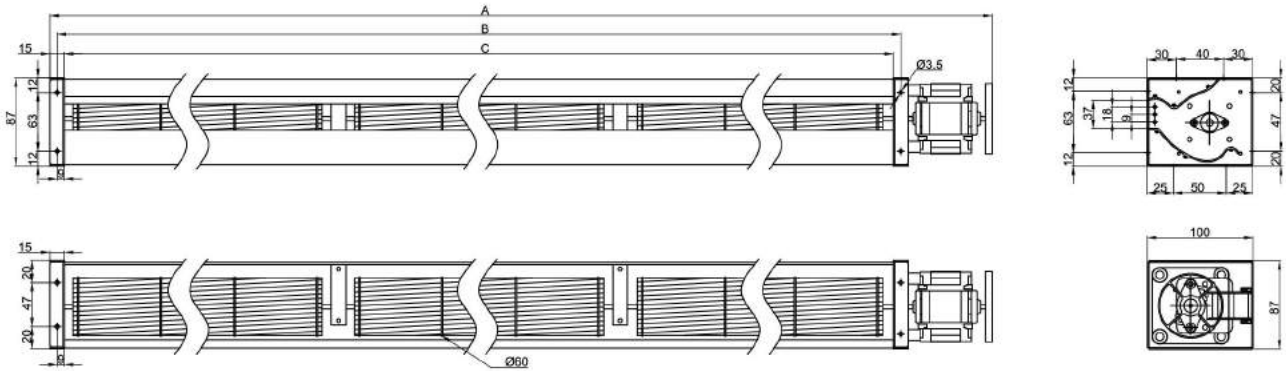
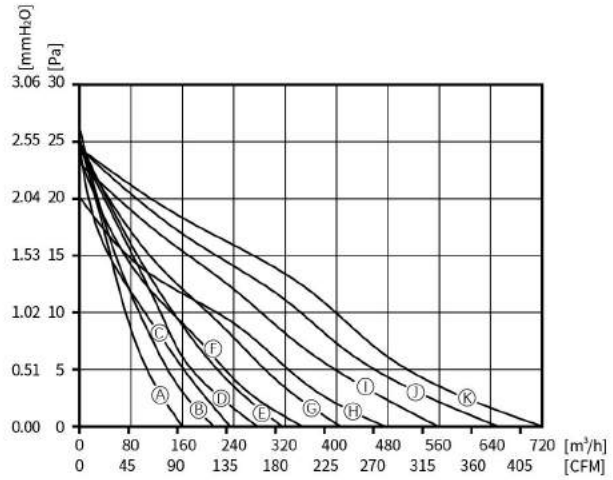
# Ø60mm AC Cross Flow Fan

AC Cross Flow Fan



Model Part No.	Rated Voltage VAC	Operating Voltage VAC	Frequency Hz	Rated Current A	Rated Power W	Rated Speed RPM	Air Flow M³/H	Air Pressure Pa	Sound Level dB(A)	Air Outlet Length mm	Pitch Row mm	Total Length mm
PC60B2A123A (A)	230	184-270	50	0.15	24.0	2400	105	50	40	123	134	191
PC60B2A181A (B)	230	184-270	50	0.34	36.0	2500	170	54	40	181	193	259
PC60B2A242A (C)	230	184-270	50	0.34	40.0	2200	210	51	42	242	265	335
PC60B2A304A (D)	230	184-270	50	0.32	41.0	2000	250	48	42	304	315	397
PC60B2A353A (E)	230	184-270	50	0.34	45.0	1800	220	45	40	353	365	446
PC60B2A418A (F)	230	184-270	50	0.34	46.0	1500	190	42	38	418	430	511

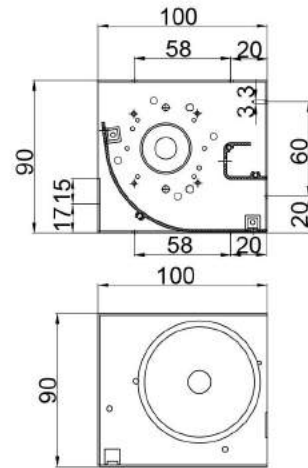
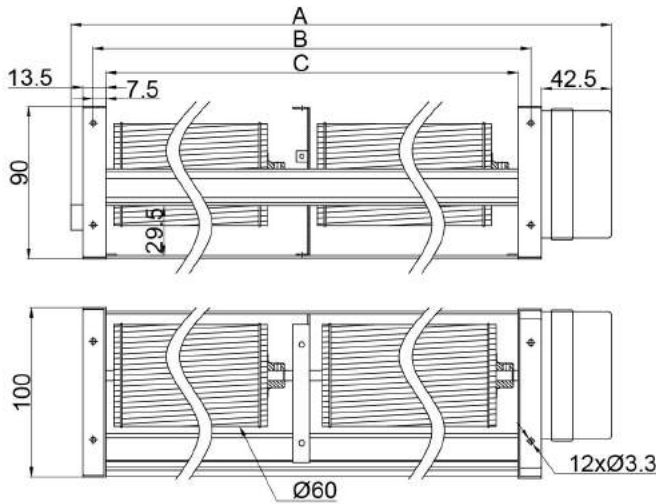
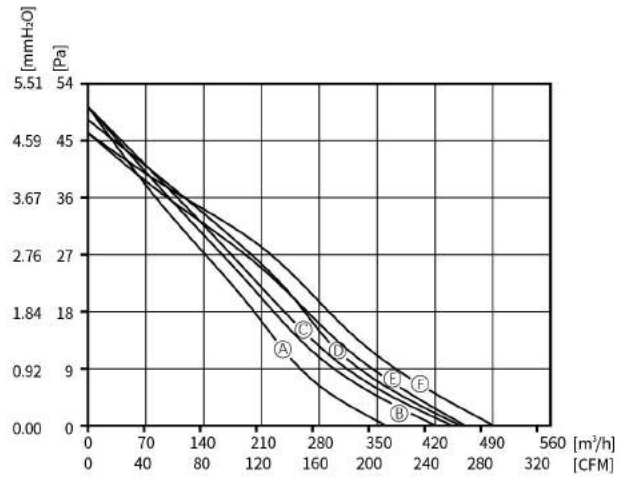
# Ø60mm AC Cross Flow Fan



Model Part No.	Rated Voltage VAC	Operating Voltage VAC	Frequency Hz	Rated Current A	Rated Power W	Rated Speed RPM	Air Flow M <sup>3</sup> /H	Air Pressure Pa	Sound Level dB(A)	Air Outlet Length mm	Pitch Row mm	Total Length mm
PC60B2A250Z (A)	230	184~270	50	0.17	24.0	2600	159	25	45	250	268	321
PC60B2A310Z (B)	230	184~270	50	0.18	25.0	2500	208	26	45	310	328	381
PC60B2A350Z (C)	230	184~270	50	0.19	26.0	2400	234	24	45	350	368	421
PC60B2A425Z (D)	230	184~270	50	0.20	27.0	2300	276	24	44	425	443	496
PC60B2A520Z (E)	230	184~270	50	0.22	31.0	2400	315	25	44	520	538	596
PC60B2A610Z (F)	230	184~270	50	0.23	32.0	2300	355	23	43	610	628	686
PC60B2A750Z (G)	230	184~270	50	0.25	34.0	2300	405	24	43	750	768	831
PC60B2A870Z (H)	230	184~270	50	0.25	35.0	2100	475	20	42	870	888	951
PC60B2A920Z (I)	230	184~270	50	0.33	46.0	2500	557	23	44	920	938	1003
PC60B2A1080Z (J)	230	184~270	50	0.36	50.0	2300	650	24	44	1080	1098	1163
PC60B2A1300Z (K)	230	184~270	50	0.38	52.0	2200	720	24	45	1300	1318	1383

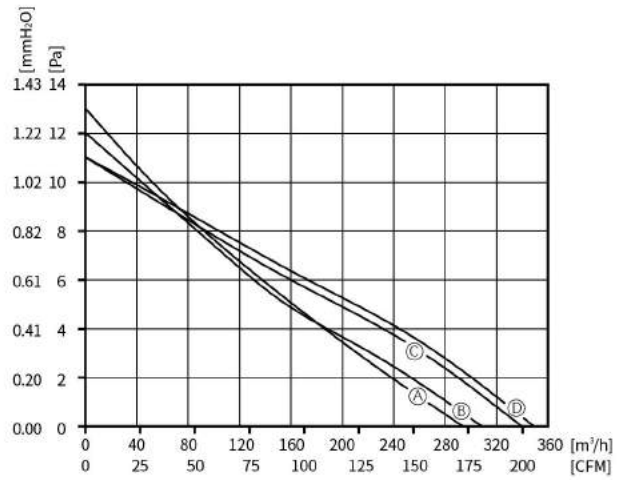
# Ø60mm AC Cross Flow Fan

AC Cross Flow Fan

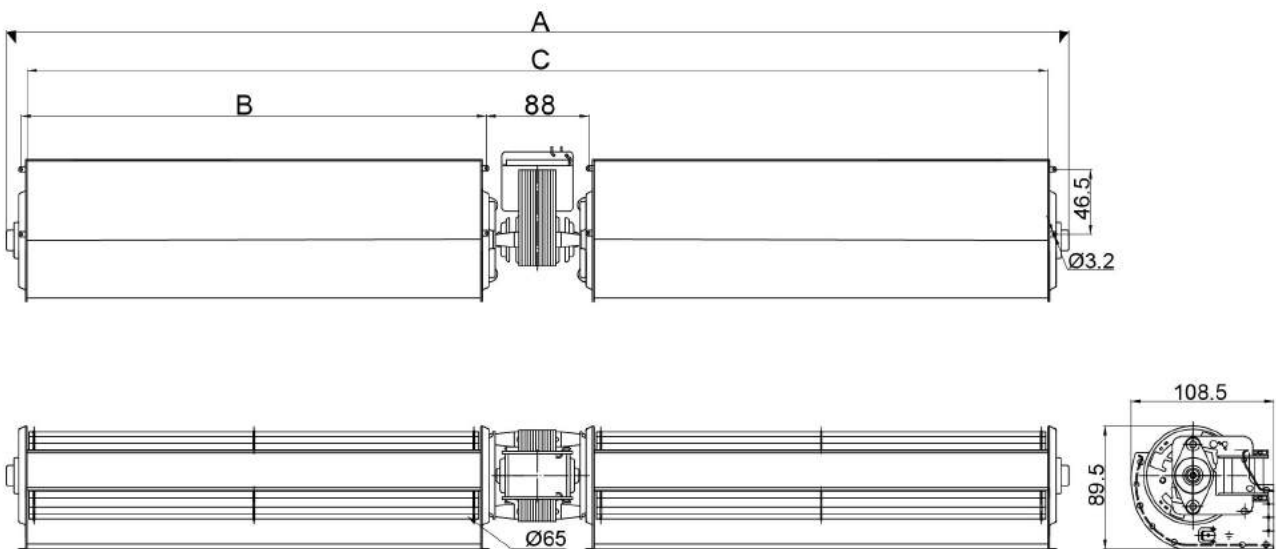


Model Part No.	Rated Voltage VAC	Operating Voltage VAC	Frequency Hz	Rated Current A	Rated Power W	Rated Speed RPM	Air Flow M³/H	Air Pressure Pa	Sound Level dB(A)	Air Outlet Length mm	Pitch Row mm	Total Length mm
PC60B2A520L (A)	230	184-270	50	0.15	24.0	1900	360	50	43	520	535	600
PC60B2A610L (B)	230	184-270	50	0.34	36.0	1900	420	50	43	610	625	690
PC60B2A640L (C)	230	184-270	50	0.19	40.0	1900	440	50	43	640	655	720
PC60B2A700L (D)	230	184-270	50	0.19	41.0	1800	450	48	42	700	715	780
PC60B2A750L (E)	230	184-270	50	0.20	45.0	1700	455	46	42	750	765	830
PC60B2A870L (F)	230	184-270	50	0.21	50.0	1500	490	46	40	870	885	950

# Ø65mm AC Cross Flow Fan



AC Cross Flow Fan

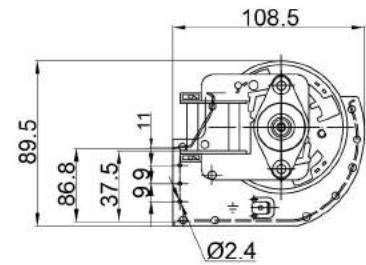
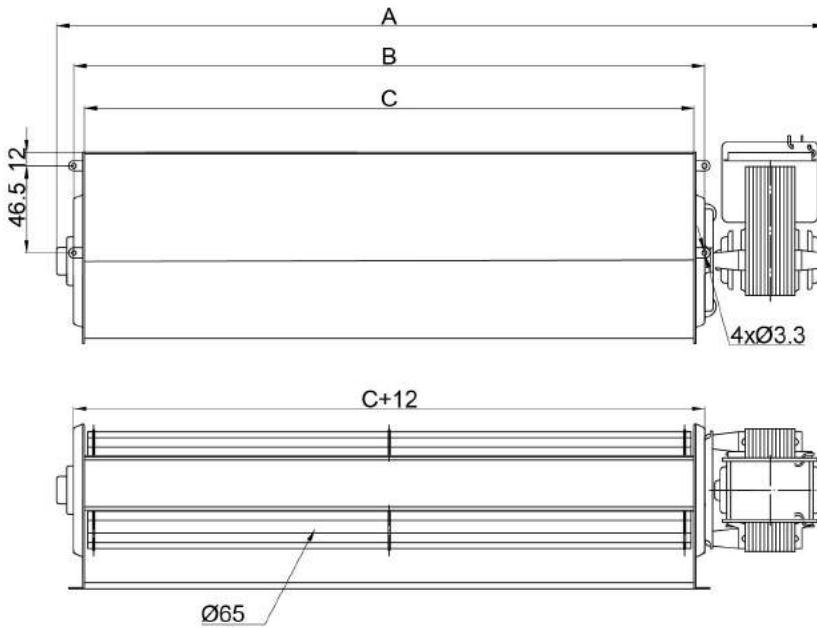
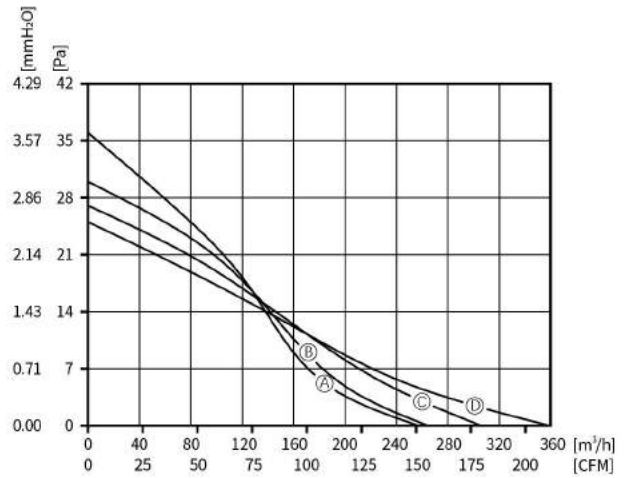


Model Part No.	Rated Voltage VAC	Operating Voltage VAC	Frequency Hz	Rated Current A	Rated Power W	Rated Speed RPM	Air Flow M <sup>3</sup> /H	Air Pressure Pa	Sound Level dB(A)	Air Outlet Length mm	Pitch Row mm	Total Length mm
PC65B2A240C (A)	230	184~270	50	0.36	42.6	1400	295	13	41	592	252	602
PC65B2A300C (B)	230	184~270	50	0.36	42.6	1300	310	12	42	712	312	722
PC65B2A360C (C)	230	184~270	50	0.36	42.7	1250	340	11	45	832	372	842
PC65B2A420C (D)	230	184~270	50	0.36	42.6	1100	350	11	45	952	432	962



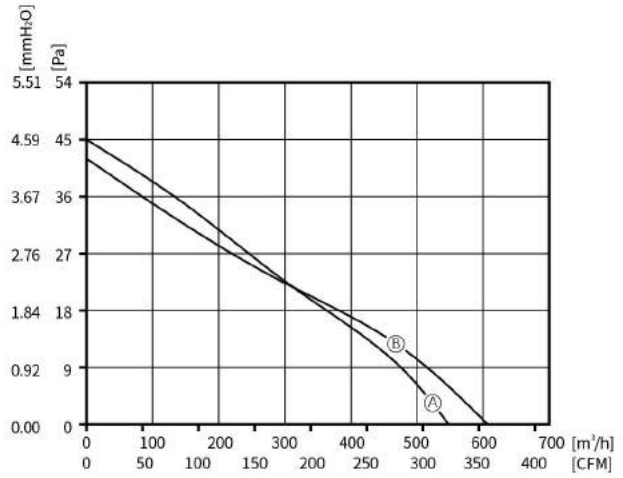
# Ø65mm AC Cross Flow Fan

AC Cross Flow Fan

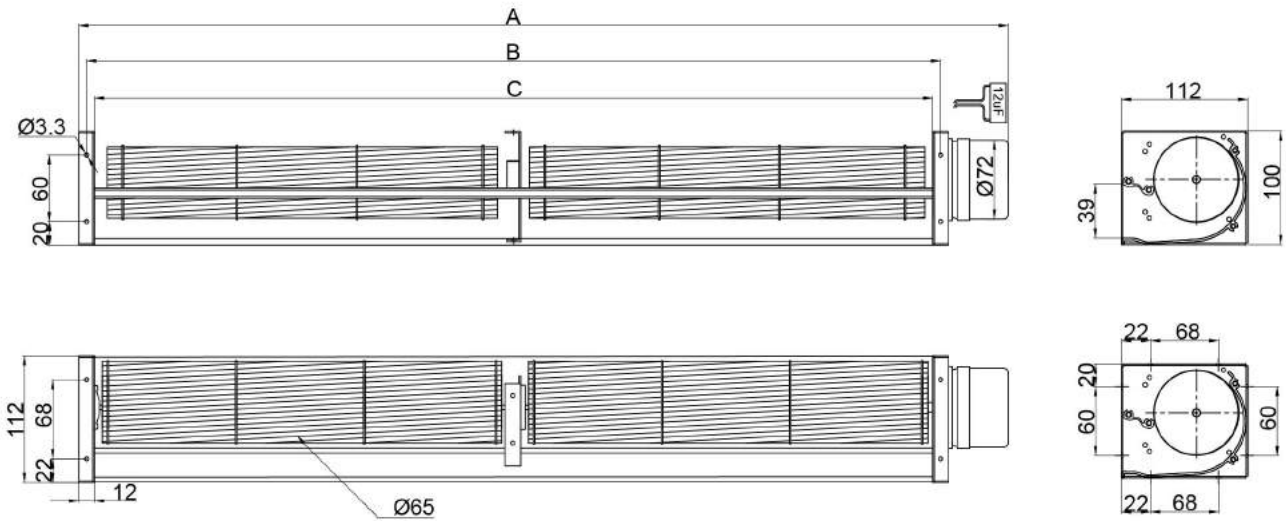


Model Part No	Rated Voltage VAC	Operating Voltage VAC	Frequency Hz	Rated Current A	Rated Power W	Rated Speed RPM	Air Flow M <sup>3</sup> /H	Air Pressure Pa	Sound Level dB(A)	Air Outlet Length mm	Pitch Row mm	Total Length mm
PC65B2A190A (A)	230	184-270	50	0.25	35.0	1900	254	36	46	190	200	256
PC65B2A242A (B)	230	184-270	50	0.28	38.0	1500	262	30	45	242	252	313
PC65B2A302A (C)	230	184-270	50	0.30	42.0	1300	302	27	42	302	312	385
PC65B2A362A (D)	230	184-270	50	0.33	45.0	1200	355	25	41	362	372	447

# Ø65mm AC Cross Flow Fan

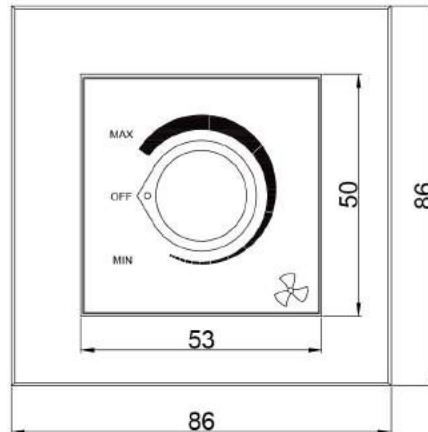


AC Cross Flow Fan



Model Part No.	Rated Voltage VAC	Operating Voltage VAC	Frequency Hz	Rated Current A	Rated Power W	Rated Speed RPM	Air Flow M <sup>3</sup> /H	Air Pressure Pa	Sound Level dB(A)	Air Outlet Length mm	Pitch Row mm	Total Length mm
PC65B2A520L (A)	230	184-270	50	0.20	40.0	1500	550	45	36	520	532	605
PC65B2A620L (B)	230	184-270	50	0.20	42.0	1300	610	42	35	620	632	705

# Fan Controller



### 1. Product Introduction

The fan controller is externally controlled. Individual unit control is possible, and the controller is independent, enabling individual speed control of a single fan.

### 2. The Main Function

The controller realizes the individual speed control of the fan by changing the internal resistance to change the voltage and finally change the fan speed.

### 3. Product Dimensions and Installation Requirements

The controller is individually controlled without external power supply. The controller is equipped with 2P quick connection terminal, which makes the connection easier and more convenient. This product is designed as a panel installation, which is convenient for installation and construction. The size of the hole is shown in the drawing.

### 4. Product Application Areas

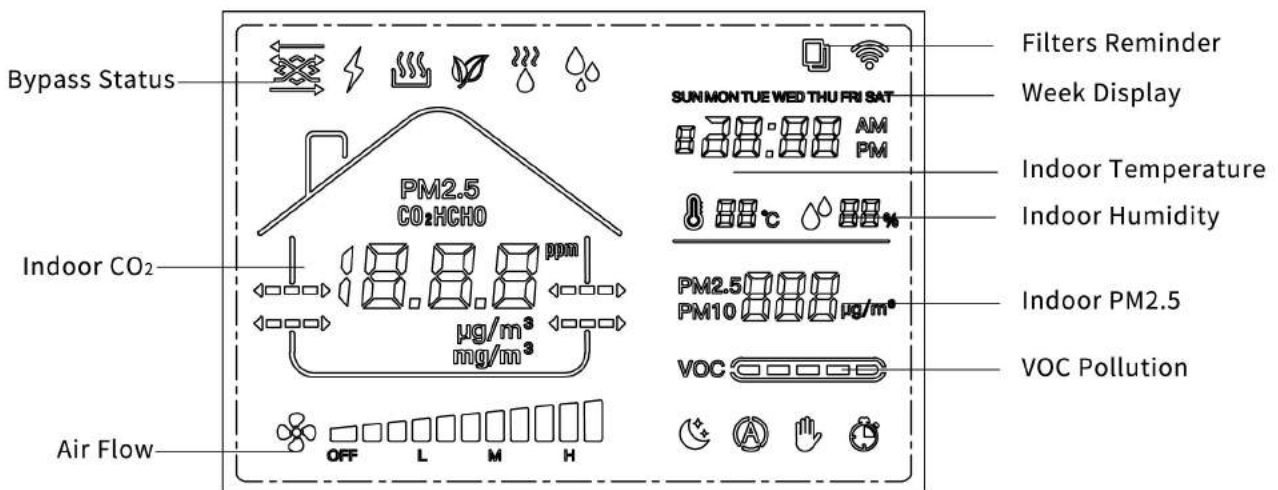
This product is mainly applicable to the individual control of common AC fans.

Technical Support

# PS2 intelligent multi-functional touch screen controller

### 1. General description

PS2-PM2.5/CO<sub>2</sub> controller adopts in touch technology, which is flexible and convenient. There are sensors which can monitor the indoor temperature, humidity, PM2.5 and CO<sub>2</sub> concentration detection function. The output signal of controller can directly control the starting and RPM of the fresh air. It can be widely used in residential, commercial and industrial conditions, and effectively improve the air quality, create a healthy, comfortable, efficient, environmental protection and energy-saving living environment.



# How to Choose Fans Correctly

All need to use is the electrical machinery and electronic products project engineer which the ventilator radiates, a specific system that radiates the needed amount of air flow is a must, the amount of air flow is decided by the understanding system power consumption and the ability of carrying off the enough quantity of heat. Try to prevent the system superheat situation. The fact demonstrated that the system service life can be reduced as a result of the cooling system insufficiency, therefore project engineer also should understand system sales volume and price, possibly because the system service life symbol user did not anticipate drops. If you'd like to choose the correct well ventilated module, the following goals need to be considered:

- Best air transport efficiency
- Smallest suitable size
- Lowest noise
- Smallest power consumption
- Biggest margin of safety and service life
- Reasonable total cost

So following three steps to correctly choose radiation fan or the drum ventilator, help you achieve the above goals:

Total cooling demand, first must understand three key aspects by obtaining the cooling demand the quantity of heat that must be transformed (temperature  $\Delta T$ ). Counterbalance transformation quantity of heat wattage (W). The detachment quantity of heat needs amount of wind (CFM).

The total cooling demand regarding of system operating effectively is really important. The effective system operation must provide the Ideal operation condition, enables in all systems the module to display the biggest function and the longest service life.

The following available ways are generally used when choosing the ventilator motor:

- Figures out quantity of heat which the equipment interior produces
- Decided the equipment interior can permit temperature rise scope
- Amount of air flow needs which from the equation computation
- If the known system equipment interior heat dissipating capacity and the permission total temperature rise quantity, may obtain the amount of wind which is for the cooling equipment needs.

Following into basic hot transformation equation:

$$H = C_p \times W \times \Delta T$$

in which: H = Hot transformation quantity

$C_p$  = Air specific heat

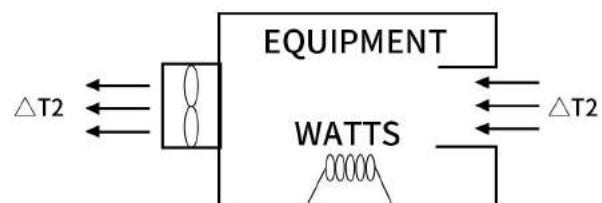
$\Delta T$  = In the equipment rises temperature

W = Air flow weight

We know ( $W = CFM \times D$ ) in which D = is mad the density after the substitution, We obtain, Conversion factors

With the substitution sea level air specific heat and the density, may obtain following radiation equation:

$$CFM = 3160 \times KW / \Delta T$$



Eg(a): The equipment Internal consumption electric power is 500W, the temperature difference is 20 degrees Fahrenheit, please see the computed result below:

$$Q = \frac{3.16 \times 500(W)}{20} = 79CFM \quad \text{or} \quad Q = \frac{0.09 \times 500(W)}{20} = 2.25m^3/Min$$

(b) The equipment internal consumption electric power is 500W, the temperature difference is 10 degrees centigrade:

$$Q = \frac{1.76 \times 500(W)}{20} = 88CFM \quad \text{or} \quad Q = \frac{0.05 \times 500(W)}{20} = 2.5m^3/Min$$

Amount of Wind Conversion Table

CMS	CMM	L/s	L/min	CMH	CFS	CFM
m <sup>3</sup> /s	m <sup>3</sup> /min	L/s	L/min	m <sup>3</sup> /h	ft <sup>3</sup> /s	ft <sup>3</sup> /min
1	60	1x10 <sup>3</sup>	6x10 <sup>4</sup>	3.6x10 <sup>3</sup>	35.30	2.118x10 <sup>3</sup>
0.0167	1	460	1x10 <sup>3</sup>	60	0.5885	35.30
0.001	0.06	1	60	3.60	0.0353	2.12
1.67x10 <sup>-5</sup>	0.001	0.0167	1	0.06	5.88x10 <sup>-4</sup>	0.0353
2.77x10 <sup>-4</sup>	0.0167	0.277	16.7	1	9.81x10 <sup>-3</sup>	0.5885
0.0283	1.698	460	1.69x10 <sup>3</sup>	101.9	1	60
4.7x10 <sup>-4</sup>	0.0283	0.47	28.3	1.698	0.0167	1

Static pressure conversion table

Pa	Bar	Torr	kgf/cm <sup>3</sup>	mmH <sub>2</sub> O	inHg	psi
N/m <sup>2</sup>	bar	mmHg	kgf/cm <sup>3</sup>	mmH <sub>2</sub> O	inHg	lb/in <sup>2</sup>
1	1x10 <sup>-5</sup>	7.501x10 <sup>-3</sup>	1.02x10 <sup>-5</sup>	0.1021	2.953x10 <sup>-4</sup>	1.45x10 <sup>-4</sup>
1x10 <sup>5</sup>	1	750.10	1.02	1.02x10 <sup>4</sup>	29.53	14.50
133.30	1.33x10 <sup>-3</sup>	1	1.359x10 <sup>-3</sup>	13.61	0.03937	0.01934
9.807x10 <sup>4</sup>	0.9807	735.5	1	1.001x10 <sup>4</sup>	28.96	14.22
9.807	9.807x10 <sup>-5</sup>	0.07348	9.96x10 <sup>-5</sup>	1	2.89x10 <sup>-3</sup>	1.42x10 <sup>-3</sup>
3.386x10 <sup>3</sup>	0.03386	25.4	0.03453	345.6	1	0.4912
6.895x10 <sup>3</sup>	1.013	760	1.033	1.034x10 <sup>4</sup>	29.92	14.7

The following available ways are generally used when choosing the ventilator motor:

- Figures out quantity of heat which the equipment interior produces
- Decided the equipment interior can permit temperature rise scope
- Amount of air flow needs which from the equation computation
- If the known system equipment interior heat dissipating capacity and the permission total temperature rise quantity, may obtain the amount of air flow which is for the cooling equipment needs.

# Fan Selection Guide



In order to provide you with more considerate fan selection and technical solution services, please provide your demand information in the following table as much as possible:

Note: The Red * marked is required.		Date	
Project Name		* Client Name	
* Applied to Which Products or Industries		Special Working Conditions to be Reminded	
Fan Mounting Space Size (LxWxH)	mm	Motor Type	
* Blade Type and Materials		* Impeller Size (LxWxH)	mm

Is it possible to provide 《Fan Technical Requirements List》 or replaced fan specification or replaced fan brand & model number?

Fan's Key Technical Requirements	Key Parameters	P/Q	Replaced Fan Brand	Replaced Fan Model Number	Photo of Replaced Fan Name Plate

## Key Technical Parameter Information For Fan Selection

* Rated Voltage (V)		Max. Current (A)	Frequency (HZ)
Rated Power(W)		Motor Output Power (W)	Bearing Type
* Max. Airflow (M <sup>3</sup> /H)		* Max. Air Pressure (Pa)	* Speed (RPM)
Operation Point's Air Flow & Air Pressure		Max. Operating Temperature (°C)	Rotation or Air Flow Direction
* Expected Sound Level (dBA)		Water and Dust Protection Class (IPXX)	Isulation Class
Motor Operating Protections		Speed Control Type	Certificates
Operating Voltage Range (V)		Wire Length and Connector Requirements	Wiring Mode
Fan Efficiency (η)		Motor Efficiency (η)	Fan Operation Control

## Key Commercial Requirements

Total Quantity Demand		Quantity and Date for the First Order	
Quantity of Sample		Sample Demand Time	
Packing Demand		Type of Shipping	
* Recipient's Name and Mobile Number		* Detail Receiving Address	

Client's Other Requirements:

Such as: non-standard fan size (mm), special installation requirements, special working and operating environment, etc



## PBM Motor and Fan ( Suzhou ) Co., Ltd

No.69 Weixin Road,Suzhou Industrial Park,Suzhou,City,Jiangsu Province,P.R.China

Tel: +86 512 6858 1674

Fax: +86 512 6858 1574

Sales Department: [sales@pbmmf.com](mailto:sales@pbmmf.com)

After Sales Department: [daniel@pbmmf.com](mailto:daniel@pbmmf.com)

Version 2022