



**PBM Motor and Fan ( Suzhou ) Co., Ltd**

No.69 Weixin Road,Suzhou Industrial Park,Suzhou,City,Jiangsu Province,P.R.China

Tel: +86 512 6858 1674

Fax: +86 512 6858 1574

Sales Department: sales@pbmmf.com

After Sales Department: daniel@pbmmf.com



**PBM MOTOR AND FAN(SUZHOU) CO.,LTD**



Axial Fan



Backward & Forward Curved Centrifugal Fan



Blower

# CONTENTS

## IP44 Type

■ EC-AC Series	02-26
■ EC-DC Series	02-26
■ Wiring Diagrams	129-133

## IP55 Type

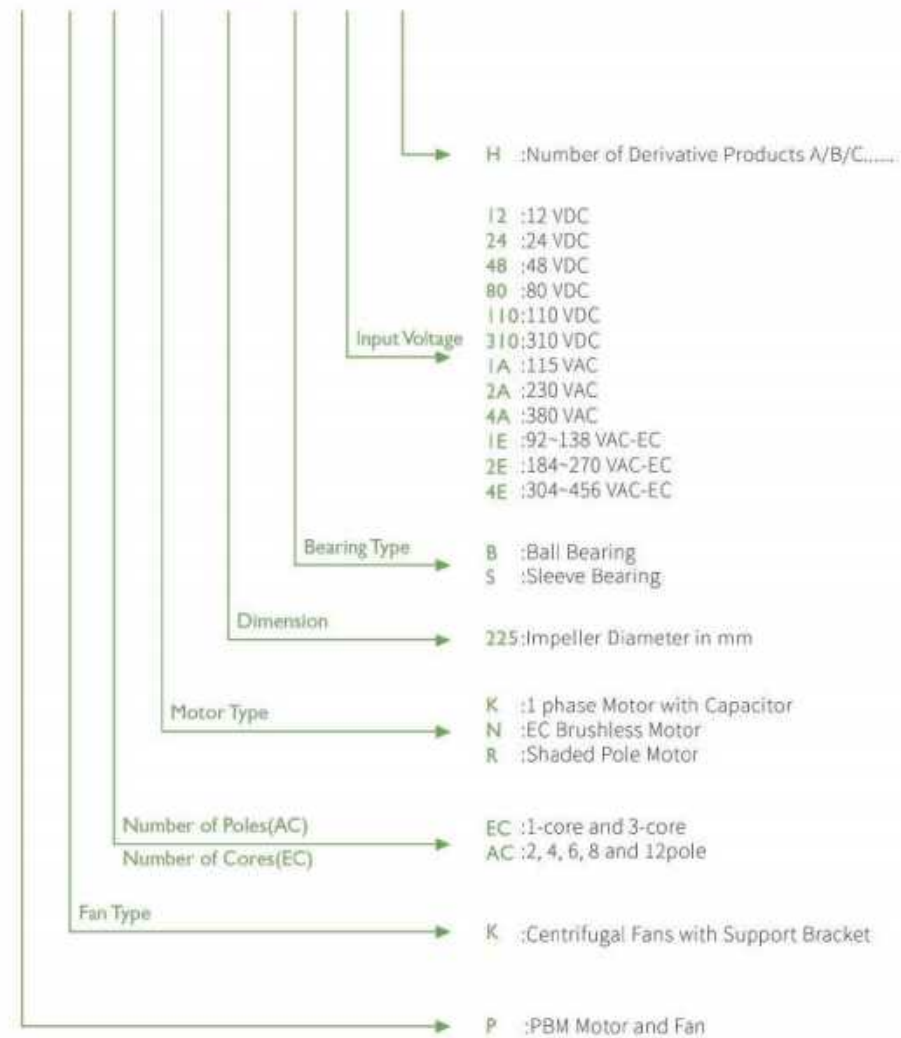
■ EC-AC Series	02-26
■ EC-DC Series	02-26
■ Wiring Diagrams	129-133

## Technology

■ Accessories	125-128
■ Technical Support	134-140

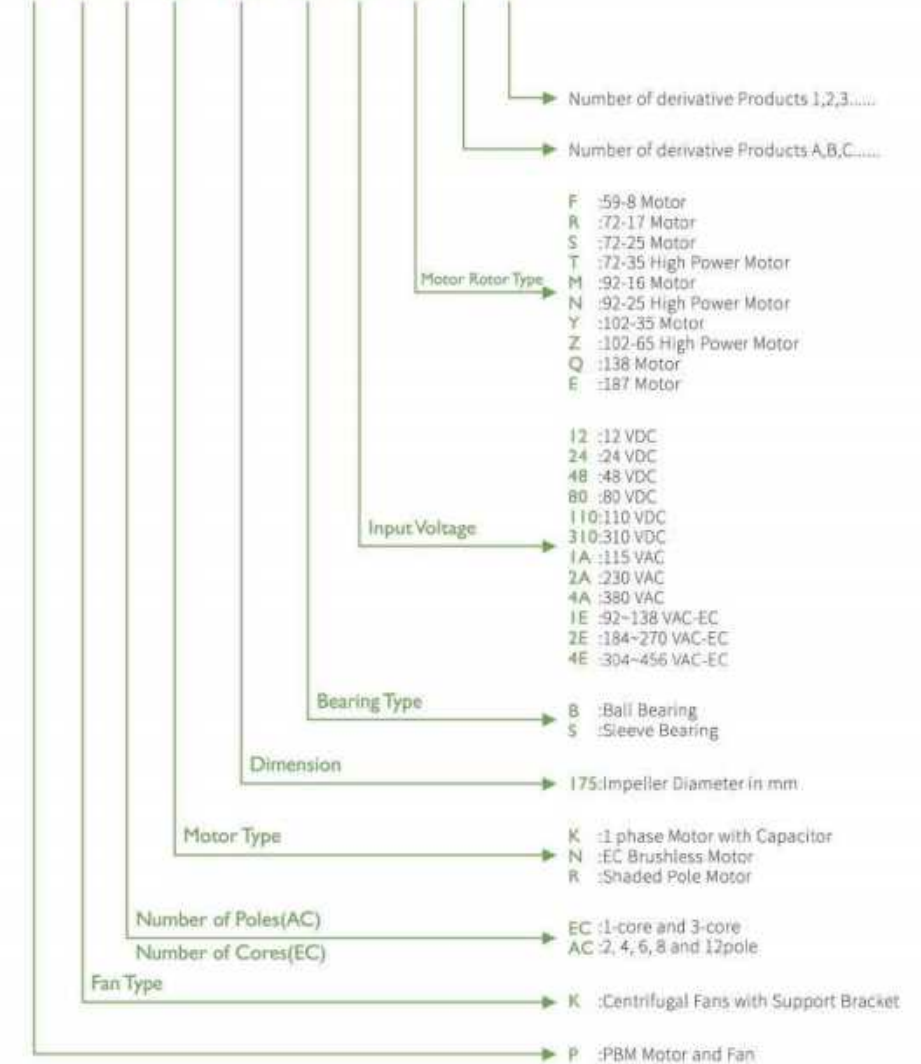
## IP44 Part Number System

P K 3 N 225 B 48 H



## IP55 Part Number System

P K 3 N 175 B 2E - R Z 0



# About us



## Company Profile

PBM is a China mainland EC(Electronically Commutated) brushless motor manufacturing and technology consulting company offering an extensive range of EC motors, fans and intelligent ventilation solutions for air-moving precisely and constantly with maintenance-free throughout the life cycle of products in last decades.

## R&D and Technical Support

Our R&D and technical support team commits to combine interactively external motor technology, integrated electronic control circuit and aerodynamic design of fan impeller that satisfied customers' requirements in different applications by innovative fan solutions, with leading experiment equipment, meters, tools in laboratory for motor reliability and fan air performance testing. We are pursuing extremely compact brushless permanent magnet synchronous external rotor motor to drive various impeller types and sizes: diagonal axial, backward and forward curved centrifugal, radial, single inlet and dual inlet blower, tangential, cross flow, from minimum 30mm to 560mm diameter with airflow maximum to 12,000CMH cubic meter per hour (equal to approx. 7,000CFM cubic feet per minutes). Maximum motor input power goes to 1.5KW (equal to 2 horsepower) at rotor diameter 138mm.

## Production and Quality Control

Economical efficient supply chain guarantees our manufacturing team and quality management team could constantly offer stable products within promised competitive lead time. We continuously invest on semi-automatic or automatic motor and fan assembly lines, equipment, fixtures and jigs to enhance our cost advantage production capability. Not only adopted in ISO9001 Quality Management System ISO 14000 Environment Management System and ISO 45001 Occupational Health and Safety Management system, but also adopted in a long-term Eco-friendly and People-oriented sustainable development of company for last 10 years.

## Marketing and Sales

Hundreds of worldwide ventilation, refrigeration, air purification, home appliance, companies from more than fifty countries are adopting PBM EC green-tech motorized fans in their product units and systems that were protecting natural environment and indoor environment of our home to be sustainable green and clean. Our agent and distributor network and online service team covered popular EC fan markets to ensure prompt technical support.

## Vision and Mission

Focus in EC fan only and protect our world with intelligent energy efficient motor and fan solutions are our goal in an attempt to make tomorrow a greener & healthier world.



## IP44 Type

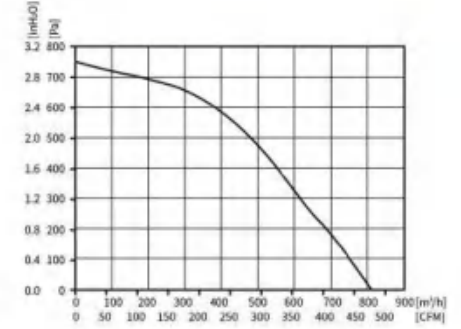
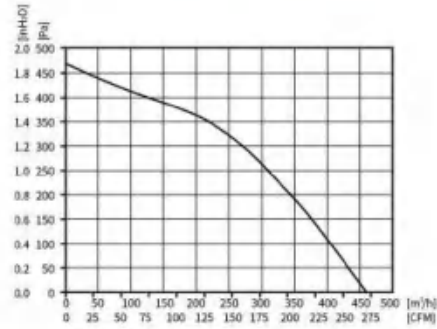


### EC Fan with Support Bracket 165x165x121mm

### EC Fan with Support Bracket 225x225x102mm

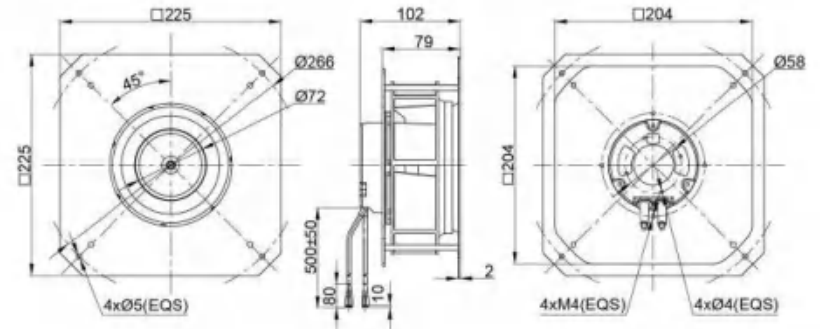
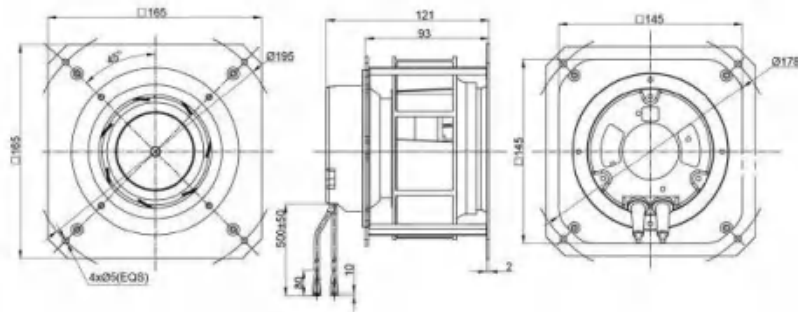
EC-AC-Series

EC-AC-Series



Motor Type BE BRUSHLESS EXTERNAL ROTOR MOTOR	Speed Control 3-10VDC/FWM	Protection Type IP44	Insulation Class B	Operating Temperature -25°C ~ +60°C	Weight 3.06KG	Wing Mode E1
---	------------------------------	-------------------------	-----------------------	--	------------------	-----------------

Motor Type BE BRUSHLESS EXTERNAL ROTOR MOTOR	Speed Control 3-10VDC/FWM	Protection Type IP44	Insulation Class B	Operating Temperature -25°C ~ +60°C	Weight 3.35KG	Wing Mode E1
---	------------------------------	-------------------------	-----------------------	--	------------------	-----------------



Model	Motor	Bearing System	Rated Voltage	Frequency	Rated Current	Rated Power	Rated Speed	Air Flow	Air Pressure	Sound Level
Part No.	Type	B/S	VAC	Hz	A	W	IPM	M <sup>3</sup> /H	Pa	dB(A)
PK3N133B2EH	BE72EC	BALL	230	50/60	0.33	48	4480	460	475	75

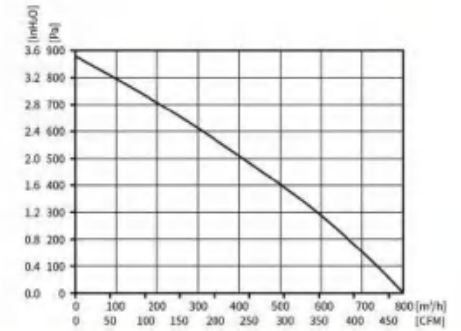
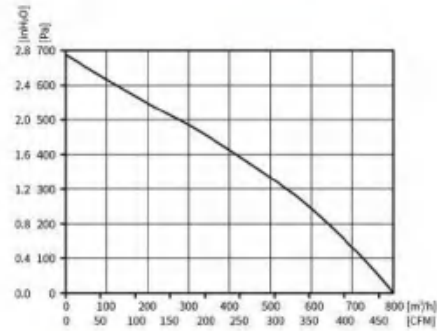
Model	Motor	Bearing System	Rated Voltage	Frequency	Rated Current	Rated Power	Rated Speed	Air Flow	Air Pressure	Sound Level
Part No.	Type	B/S	VAC	Hz	A	W	IPM	M <sup>3</sup> /H	Pa	dB(A)
PK3N175B2EH	BE72EC	BALL	230	50/60	0.85	105	4460	810	744	76

### EC Fan with Support Bracket 225x225x97mm

### EC Fan with Support Bracket 225x225x102mm

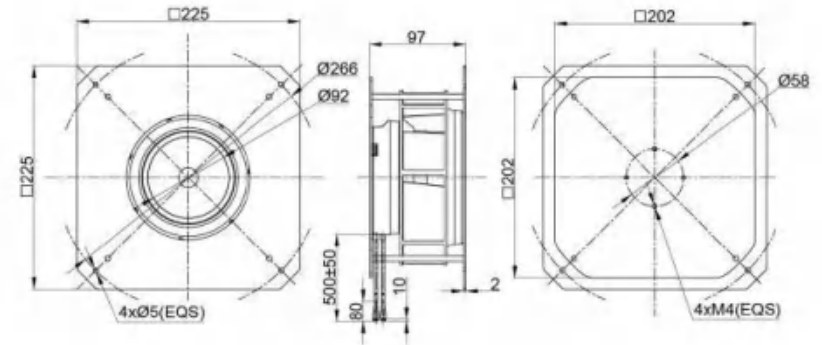
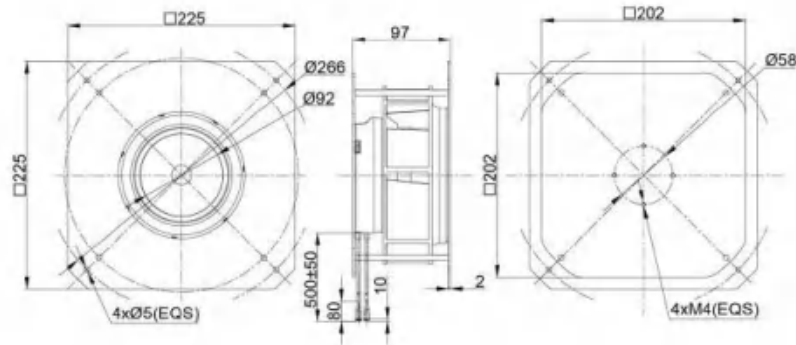
EC-AC-Series

EC-AC-Series



Motor Type EC BRUSHLESS EXTERNAL MOTOR MOTOR	Speed Control 0-10VDC/PWM	Protection Type IP44	Insulation Class B	Operating Temperature -25°C ~ +60°C	Weight 3.45KG	Wiring Mode E1
---	------------------------------	-------------------------	-----------------------	--	------------------	-------------------

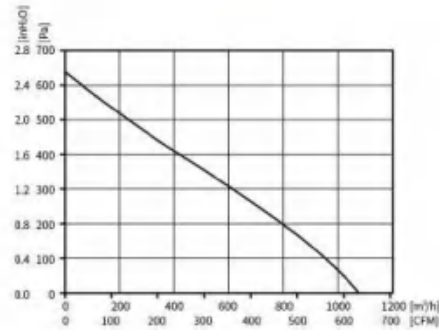
Motor Type EC BRUSHLESS EXTERNAL MOTOR MOTOR	Speed Control 0-10VDC/PWM	Protection Type IP44	Insulation Class B	Operating Temperature -25°C ~ +60°C	Weight 3.45KG	Wiring Mode E2
---	------------------------------	-------------------------	-----------------------	--	------------------	-------------------



Model	Motor	Bearing System	Rated Voltage	Frequency	Rated Current	Rated Power	Rated Speed	Air Flow	Air Pressure	Sound Level
Part No.	Type	M/S	VAC	Hz	A	W	RPM	M³/H	Pa	dB(A)
PK3N190B2EM	BE72EC	BALL	230	50/60	0.7	93	3570	795	686	72

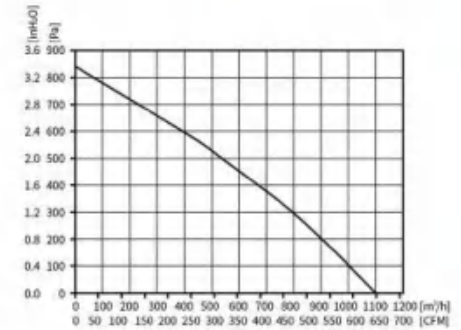
Model	Motor	Bearing System	Rated Voltage	Frequency	Rated Current	Rated Power	Rated Speed	Air Flow	Air Pressure	Sound Level
Part No.	Type	M/S	VAC	Hz	A	W	RPM	M³/H	Pa	dB(A)
PK3N190B2EH	BE92EC	BALL	230	50/60	1	140	4000	800	882	74

### EC Fan with Support Bracket 270x270x90mm

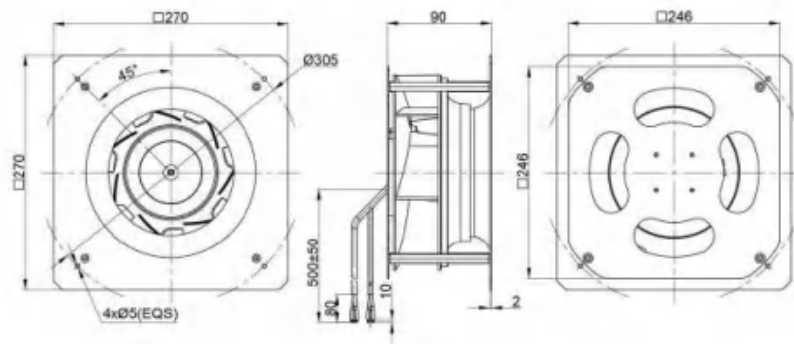


Motor Type EC BRUSHLESS EXTERNAL ROTOR MOTOR	Speed Control 0-10VDC/PWM	Protection Type IP44	Insulation Class B	Operating Temperature -25°C~+60°C	Weight 3.68KG	Wiring Mode E1
---	------------------------------	-------------------------	-----------------------	--------------------------------------	------------------	-------------------

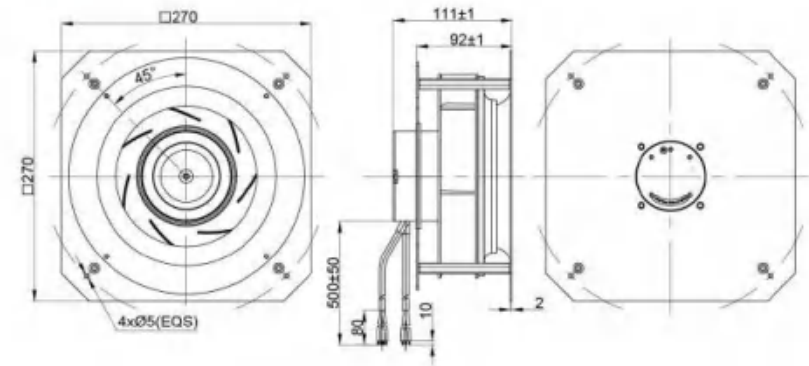
### EC Fan with Support Bracket 270x270x111mm



Motor Type EC BRUSHLESS EXTERNAL ROTOR MOTOR	Speed Control 0-10VDC/PWM	Protection Type IP44	Insulation Class B	Operating Temperature -25°C~+60°C	Weight 4.5KG	Wiring Mode E2
---	------------------------------	-------------------------	-----------------------	--------------------------------------	-----------------	-------------------

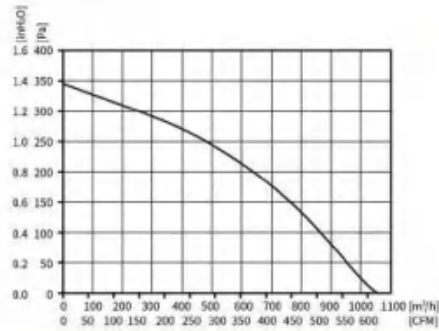


Model	Motor	Bearing System	Rated Voltage	Frequency	Rated Current	Rated Power	Rated Speed	Air Flow	Air Pressure	Sound Level
Part No.	Type	M/S	VAC	Hz	A	W	RPM	M³/H	Pa	dB(A)
PK3N220B2EM	BE72EC	BALL	230	50/60	0.8	95	3060	1080	648	71

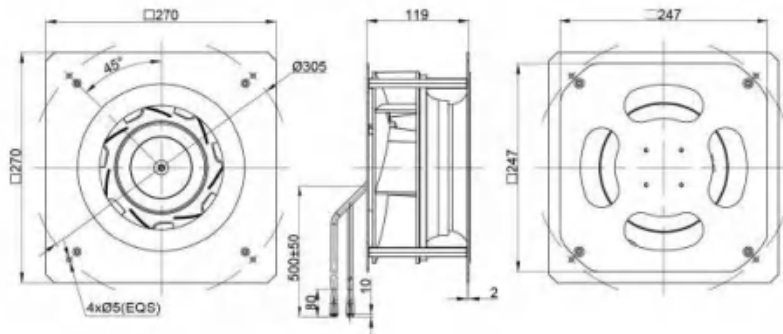


Model	Motor	Bearing System	Rated Voltage	Frequency	Rated Current	Rated Power	Rated Speed	Air Flow	Air Pressure	Sound Level
Part No.	Type	M/S	VAC	Hz	A	W	RPM	M³/H	Pa	dB(A)
PK3N220B2EH	BE92EC	BALL	230	50/60	1.18	170	3600	1100	840	76

### EC Fan with Support Bracket 270x270x119mm

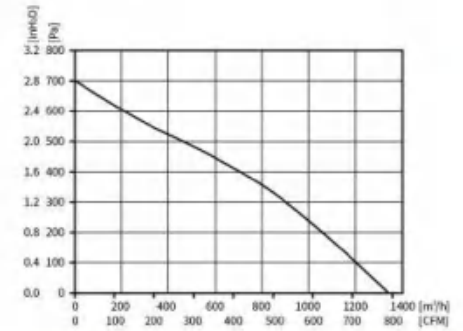


Motor Type	Speed Control	Protection Type	Insulation Class	Operating Temperature	Weight	Wiring Mode
EC BRUSHLESS EXTERNAL ROTOR MOTOR	0-10VDC/PWM	IP44	B	-25°C~+60°C	3.74KG	E1

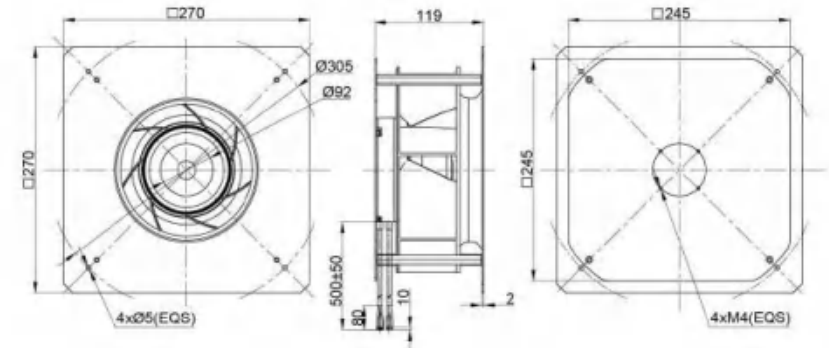


Model	Motor	Bearing System	Rated Voltage	Frequency	Rated Current	Rated Power	Rated Speed	Air Flow	Air Pressure	Sound Level
Part No.	Type	B/S	VAC	Hz	A	W	RPM	M³/H	Pa	dB(A)
PK3N225B2EM	BE72EC	BALL	230	50/60	0.4	55	2200	1065	347	66

### EC Fan with Support Bracket 270x270x119mm



Motor Type	Speed Control	Protection Type	Insulation Class	Operating Temperature	Weight	Wiring Mode
EC BRUSHLESS EXTERNAL ROTOR MOTOR	0-10VDC/PWM	IP44	B	-25°C~+60°C	4.8KG	E2



Model	Motor	Bearing System	Rated Voltage	Frequency	Rated Current	Rated Power	Rated Speed	Air Flow	Air Pressure	Sound Level
Part No.	Type	B/S	VAC	Hz	A	W	RPM	M³/H	Pa	dB(A)
PK3N225B2EH	BE92EC	BALL	230	50/60	1.04	135	3020	1340	705	71

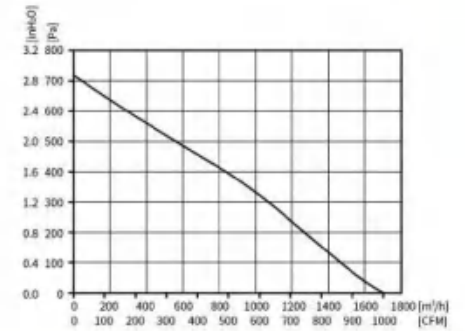
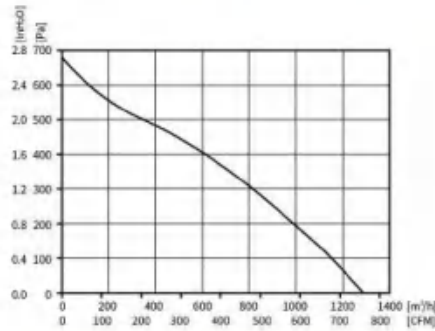


### EC Fan with Support Bracket 300x300x124mm

### EC Fan with Support Bracket 300x300x134mm

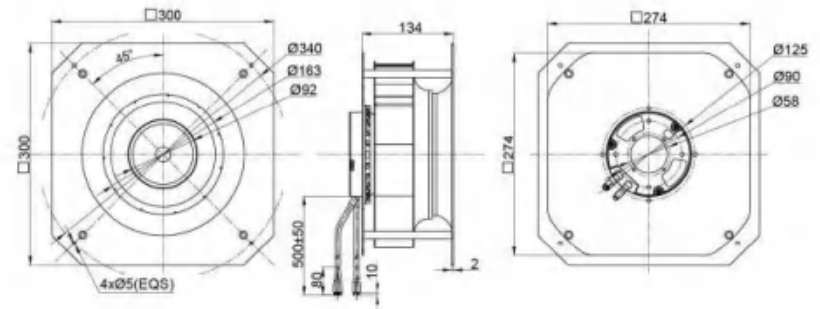
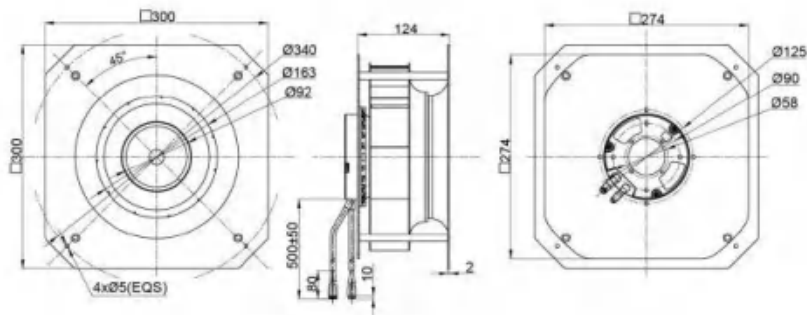
EC-AC Series

EC-AC Series



Motor Type	Speed Control	Protection Type	Insulation Class	Operating Temperature	Weight	Wiring Mode
EC BRUSHLESS EXTERNAL ROTOR MOTOR	0-10VDC/PWM	IP44	B	-25°C~+60°C	4.15KG	E2

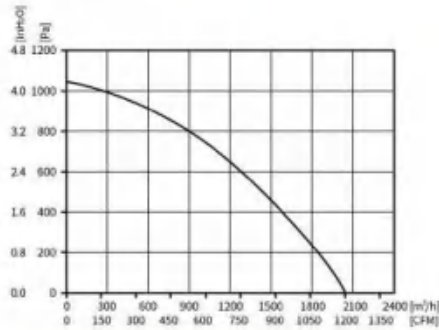
Motor Type	Speed Control	Protection Type	Insulation Class	Operating Temperature	Weight	Wiring Mode
EC BRUSHLESS EXTERNAL ROTOR MOTOR	0-10VDC/PWM	IP44	B	-25°C~+60°C	4.77KG	E2



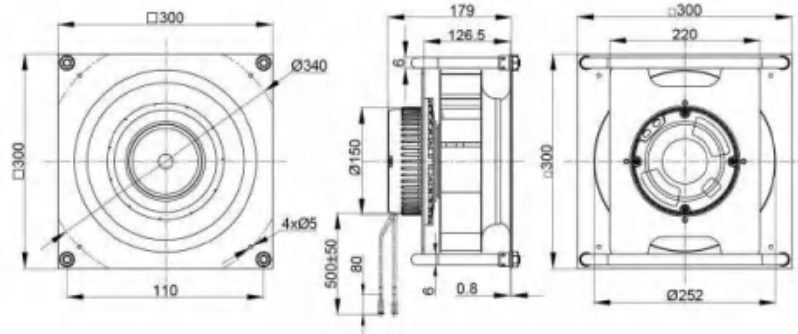
Model	Motor	Bearing System	Rated Voltage	Frequency	Rated Current	Rated Power	Rated Speed	Air Flow	Air Pressure	Sound Level
Part No.	Type	M/S	VAC	Hz	A	W	RPM	M³/H	Pa	dB(A)
PK3N250B2EL	BE02EC	BALL	230	50/60	0.9	123	2760	1290	690	71

Model	Motor	Bearing System	Rated Voltage	Frequency	Rated Current	Rated Power	Rated Speed	Air Flow	Air Pressure	Sound Level
Part No.	Type	M/S	VAC	Hz	A	W	RPM	M³/H	Pa	dB(A)
PK3N250B2EM	BE92EC	BALL	230	50/60	1.13	155	2780	1700	716	75

### EC Fan with Support Bracket 300x300x179mm

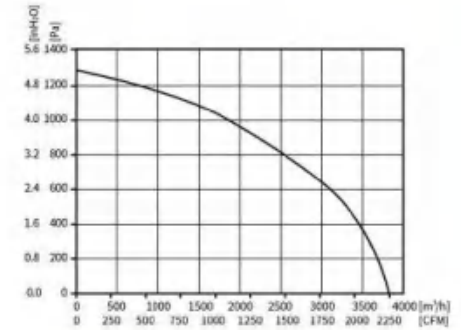


Motor Type EC BRUSHLESS EXTERNAL ROTOR MOTOR	Speed Control 0-10VDC/PWM	Protection Type IP44	Insulation Class B	Operating Temperature -25°C ~ +60°C	Weight 6.2KG	Wiring Mode E3
---	------------------------------	-------------------------	-----------------------	--	-----------------	-------------------

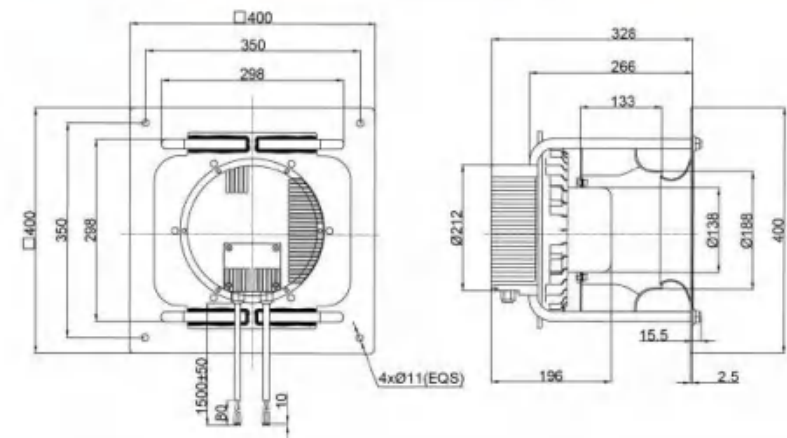


Model	Motor	Bearing System	Rated Voltage	Frequency	Rated Current	Rated Power	Rated Speed	Air Flow	Air Pressure	Sound Level
Part No.	Type	M/S	VAC	Hz	A	W	RPM	M³/H	Pa	dB(A)
PK3N250B2EH	BE102EC	BALL	230	50/60	1.72	387	3550	2060	1030	89

### EC Fan with Support Bracket 400x400x328mm

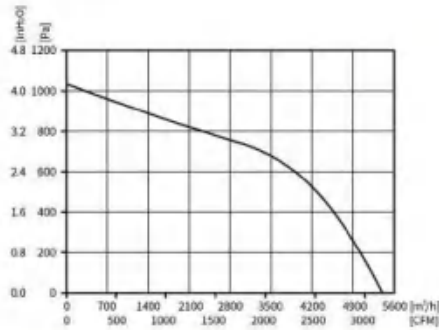


Motor Type EC BRUSHLESS EXTERNAL ROTOR MOTOR	Speed Control 0-10VDC/PWM	Protection Type IP44	Insulation Class F	Operating Temperature -25°C ~ +60°C	Weight 18KG	Wiring Mode E6
---	------------------------------	-------------------------	-----------------------	--	----------------	-------------------

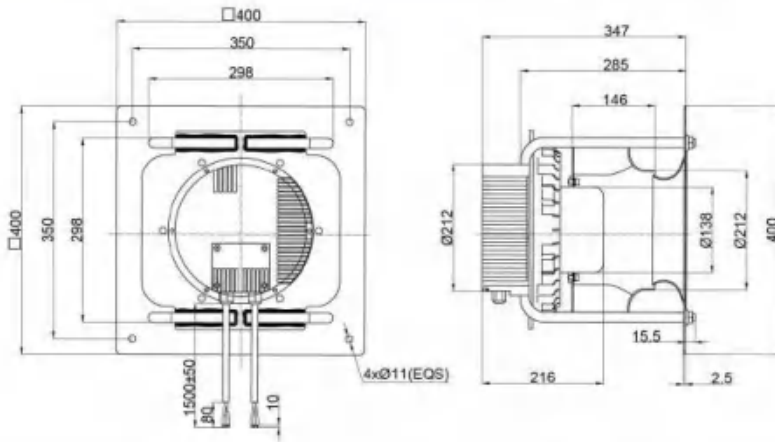


Model	Motor	Bearing System	Rated Voltage	Frequency	Rated Current	Rated Power	Rated Speed	Air Flow	Air Pressure	Sound Level
Part No.	Type	M/S	VAC	Hz	A	W	RPM	M³/H	Pa	dB(A)
PK3N280B4EQM	BE138EC	BALL	380	50/60	1.9	1100	3500	3700	1280	89

### EC Fan with Support Bracket 400x400x347mm

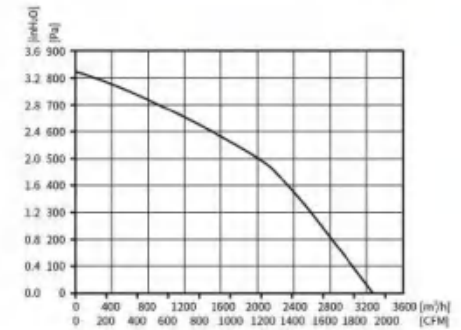


Motor Type E6 BRUSHLESS EXTERNAL FORCE MOTOR	Speed Control 0-10VDC/PWM	Protection Type IP44	Insulation Class F	Operating Temperature -25°C ~ +60°C	Weight 20KG	Wiring Mode E6
---	------------------------------	-------------------------	-----------------------	--	----------------	-------------------

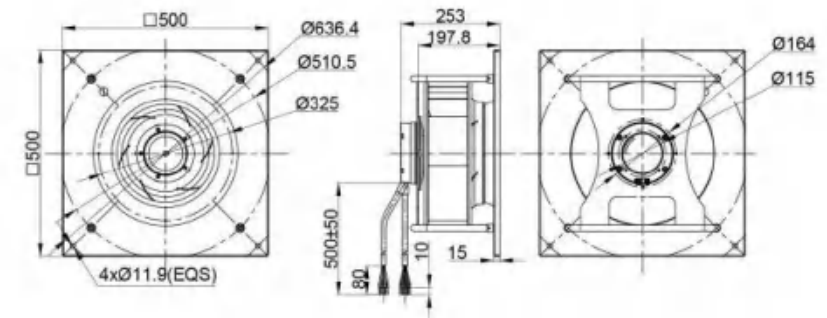


Model	Motor	Bearing System	Rated Voltage	Frequency	Rated Current	Rated Power	Rated Speed	Air Flow	Air Pressure	Sound Level
Part No.	Type	I/S	VAC	Hz	A	W	RPM	M³/H	Pa	dB(A)
PK2N210B4EQM	BE138EC	BALL	380	50/60	2.4	1400	3300	5400	1050	92

### EC Fan with Support Bracket 500x500x253mm

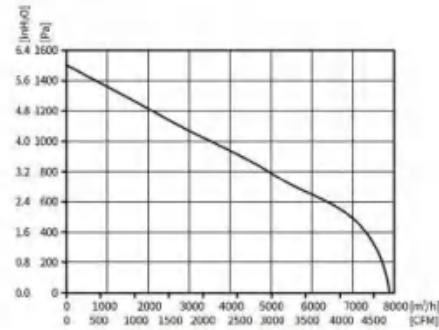


Motor Type E3 BRUSHLESS EXTERNAL FORCE MOTOR	Speed Control 0-10VDC/PWM	Protection Type IP44	Insulation Class B	Operating Temperature -25°C ~ +60°C	Weight 7.2KG	Wiring Mode E3
---	------------------------------	-------------------------	-----------------------	--	-----------------	-------------------

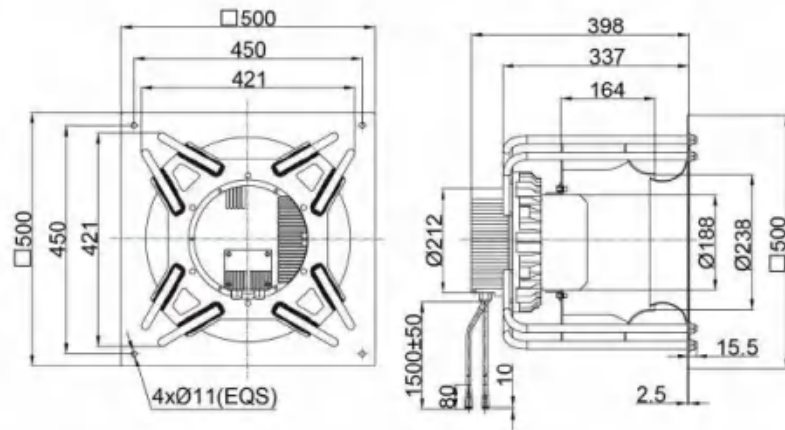


Model	Motor	Bearing System	Rated Voltage	Frequency	Rated Current	Rated Power	Rated Speed	Air Flow	Air Pressure	Sound Level
Part No.	Type	I/S	VAC	Hz	A	W	RPM	M³/H	Pa	dB(A)
PK2N355B2EH	BE102EC	BALL	230	50/60	1.6	357	2050	3270	820	76

### EC Fan with Support Bracket 500x500x398mm

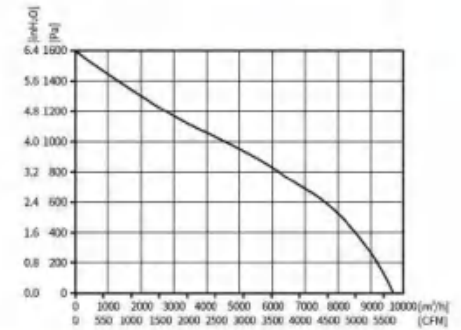


Motor Type E6 BRUSHLESS EXTERNAL ROTOR MOTOR	Speed Control 0-10VDC/PWM	Protection Type IP44	Insulation Class F	Operating Temperature -25°C ~ +60°C	Weight 22KG	Wing Mode E6
--	------------------------------	-------------------------	-----------------------	--	----------------	-----------------

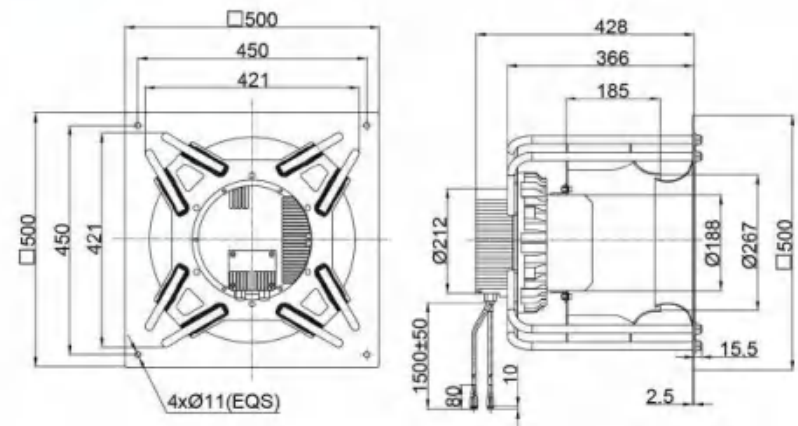


Model	Motor	Bearing System	Rated Voltage	Frequency	Rated Current	Rated Power	Rated Speed	Air Flow	Air Pressure	Sound Level
Part No.	Type	I/S	VAC	Hz	A	W	RPM	M <sup>3</sup> /H	Pa	dB(A)
PK3N355B4EEH	BE188EC	BALL	380	50/60	4.2	2500	3200	7800	1500	96

### EC Fan with Support Bracket 500x500x428mm

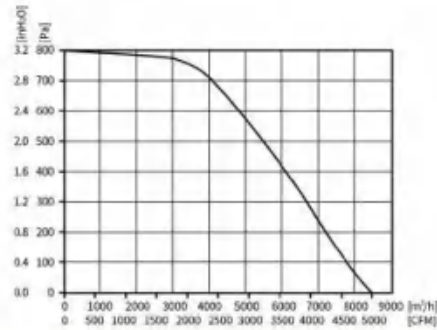


Motor Type E6 BRUSHLESS EXTERNAL ROTOR MOTOR	Speed Control 0-10VDC/PWM	Protection Type IP44	Insulation Class F	Operating Temperature -25°C ~ +60°C	Weight 26KG	Wing Mode E6
--	------------------------------	-------------------------	-----------------------	--	----------------	-----------------

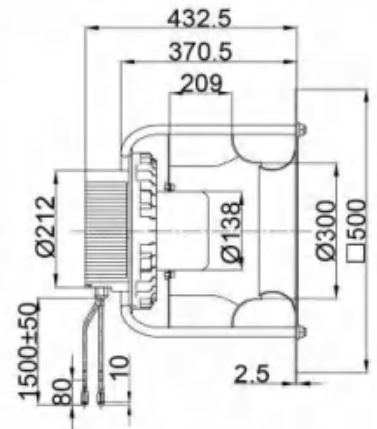
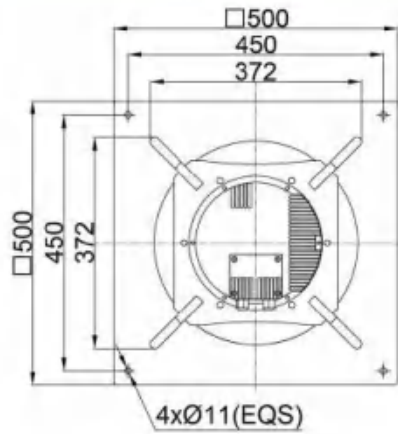


Model	Motor	Bearing System	Rated Voltage	Frequency	Rated Current	Rated Power	Rated Speed	Air Flow	Air Pressure	Sound Level
Part No.	Type	I/S	VAC	Hz	A	W	RPM	M <sup>3</sup> /H	Pa	dB(A)
PK3N400B4EEM	BE188EC	BALL	380	50/60	4.2	2500	2650	9400	1600	90

### EC Fan with Support Bracket 500x500x432.5mm

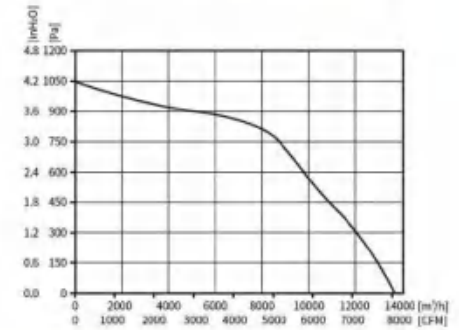


Motor Type 72 BRUSHLESS EXTERNAL ROTOR MOTOR	Speed Control 3-10VDC/PWM	Protection Type IP44	Insulation Class F	Operating Temperature -25°C ~ +60°C	Weight 30KG	Wing Mode E6
--	------------------------------	-------------------------	-----------------------	--	----------------	-----------------

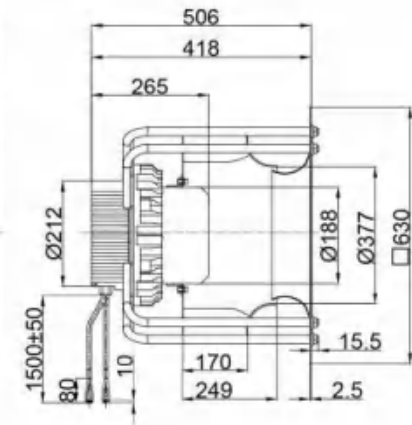
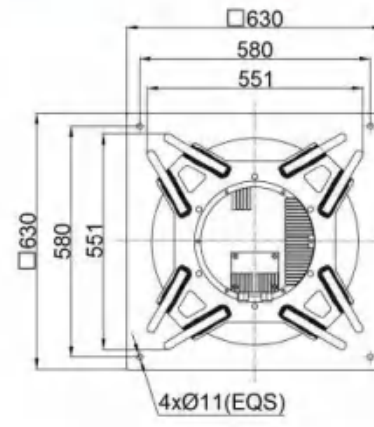


Model	Motor	Bearing System	Rated Voltage	Frequency	Rated Current	Rated Power	Rated Speed	Air Flow	Air Pressure	Sound Level
Part No.	Type	I/S	VAC	Hz	A	W	RPM	M <sup>3</sup> /H	Pa	dB(A)
PK3N450B4EQM	BE138EC	BALL	380	50/60	2.15	1250	1700	8500	800	81

### EC Fan with Support Bracket 630x630x506mm

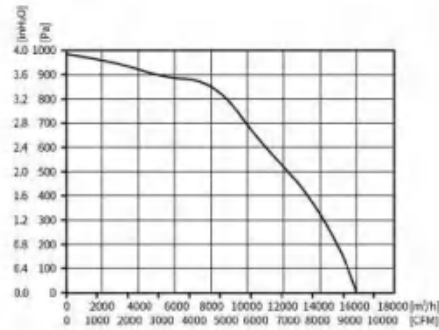


Motor Type 72 BRUSHLESS EXTERNAL ROTOR MOTOR	Speed Control 0-10VDC/PWM	Protection Type IP44	Insulation Class F	Operating Temperature -25°C ~ +60°C	Weight 32KG	Wing Mode E6
--	------------------------------	-------------------------	-----------------------	--	----------------	-----------------

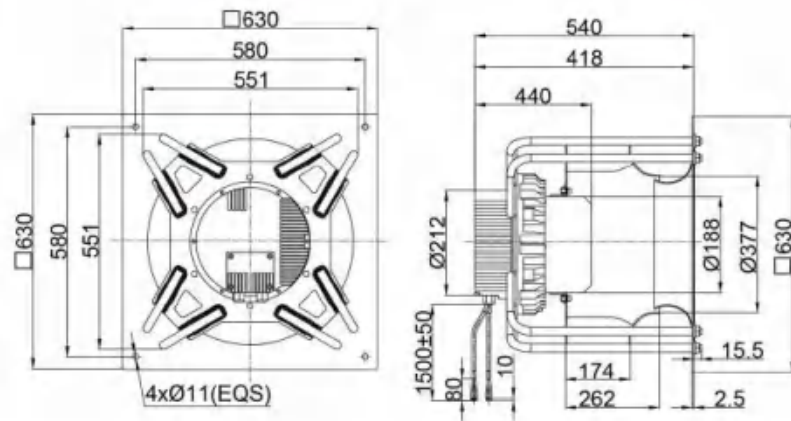


Model	Motor	Bearing System	Rated Voltage	Frequency	Rated Current	Rated Power	Rated Speed	Air Flow	Air Pressure	Sound Level
Part No.	Type	I/S	VAC	Hz	A	W	RPM	M <sup>3</sup> /H	Pa	dB(A)
PK3N500B4EEL	BE188EC	BALL	380	50/60	4.05	3000	1800	13800	1040	80

### EC Fan with Support Bracket 630x630x540mm

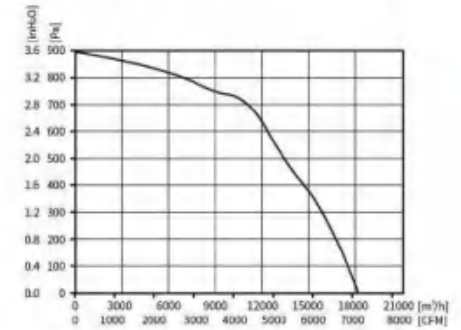


Motor Type E6 BE188EC3S EXTERNAL MOTOR MOTOR	Speed Control 0-10VDC/PWM	Protection Type IP44	Insulation Class F	Operating Temperature -25°C~+60°C	Weight 36KG	Wing Mode E6
---	------------------------------	-------------------------	-----------------------	--------------------------------------	----------------	-----------------

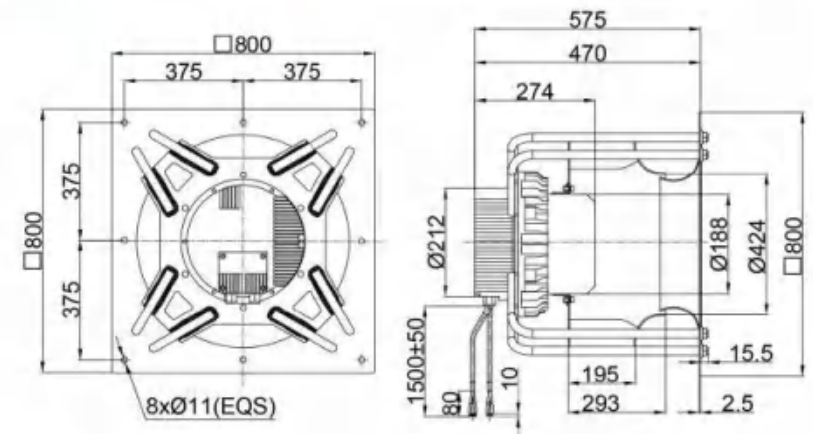


Model	Motor	Bearing System	Rated Voltage	Frequency	Rated Current	Rated Power	Rated Speed	Air Flow	Air Pressure	Sound Level
Part No.	Type	I/S	VAC	Hz	A	W	RPM	M³/H	Pa	dB(A)
PK3N560B4EEL	BE188EC	BALL	380	50/60	4.4	2770	1520	16000	980	81

### EC Fan with Support Bracket 800x800x575mm



Motor Type E6 BE188EC3S EXTERNAL MOTOR MOTOR	Speed Control 0-10VDC/PWM	Protection Type IP44	Insulation Class F	Operating Temperature -25°C~+60°C	Weight 40KG	Wing Mode E6
---	------------------------------	-------------------------	-----------------------	--------------------------------------	----------------	-----------------



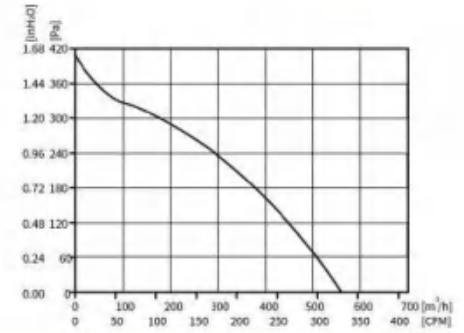
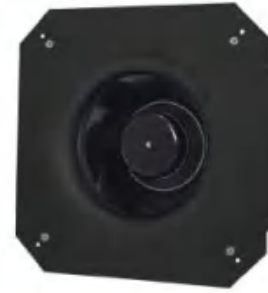
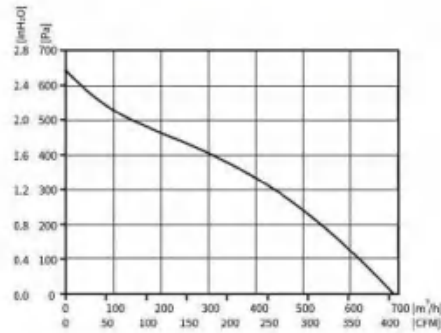
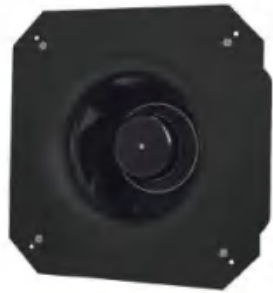
Model	Motor	Bearing System	Rated Voltage	Frequency	Rated Current	Rated Power	Rated Speed	Air Flow	Air Pressure	Sound Level
Part No.	Type	I/S	VAC	Hz	A	W	RPM	M³/H	Pa	dB(A)
PK3N630B4EEL	BE188EC	BALL	380	50/60	4.4	2700	1250	18600	900	85

### DC Fan with Support Bracket 226x226x81mm

### DC Fan with Support Bracket 226x226x81mm

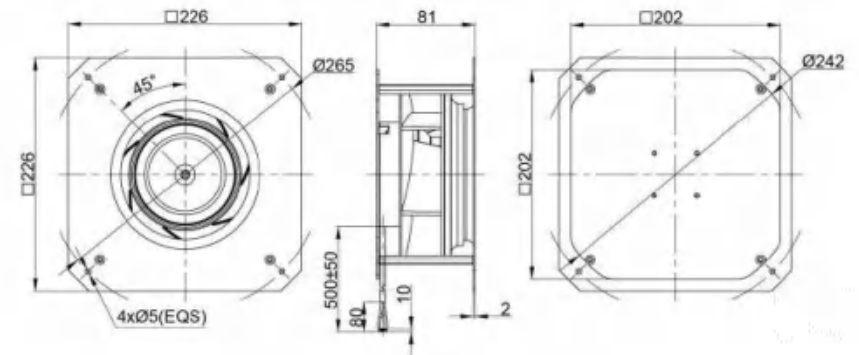
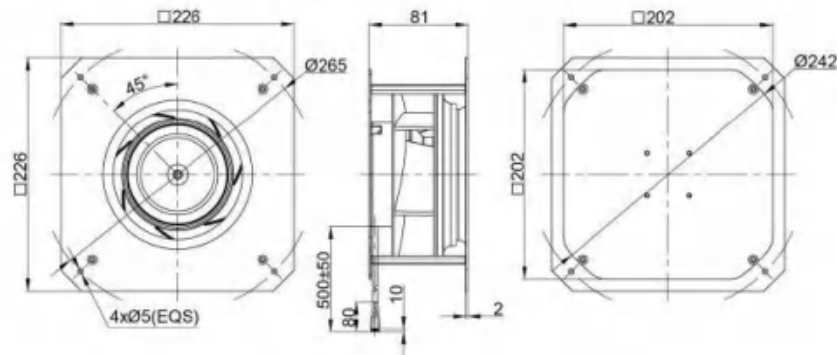
EC-DC Series

EC-DC Series



Motor Type DC BRUSHLESS EXTERNAL ROTOR MOTOR	Speed Control 0-10VDC/PWM	Protection Type IP44	Insulation Class B	Operating Temperature -25°C--+60°C	Weight 2.75KG	Wiring Mode D1
--	------------------------------	-------------------------	-----------------------	---------------------------------------	------------------	-------------------

Motor Type DC BRUSHLESS EXTERNAL ROTOR MOTOR	Speed Control 0-10VDC/PWM	Protection Type IP44	Insulation Class B	Operating Temperature -25°C--+60°C	Weight 2.75KG	Wiring Mode D1
--	------------------------------	-------------------------	-----------------------	---------------------------------------	------------------	-------------------



Model	Motor	Bearing System	Rated Voltage	Operating Voltage	Rated Current	Rated Power	Rated Speed	Air Flow	Air Pressure	Sound Level
Part No.	Type	I/S	VDC	VDC	A	W	RPM	M³/H	Pa	dB(A)
PK3N175B24U	BE72DC	BALL	24	16-28	3	72	3000	695	637	72
PK3N175B48U	BE72DC	BALL	48	36-57	1.5	72	3900	695	637	72

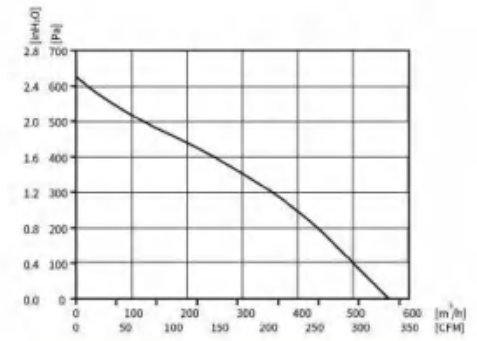
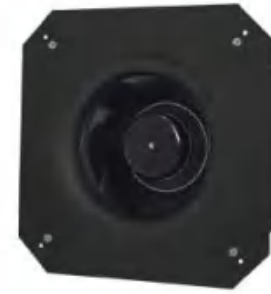
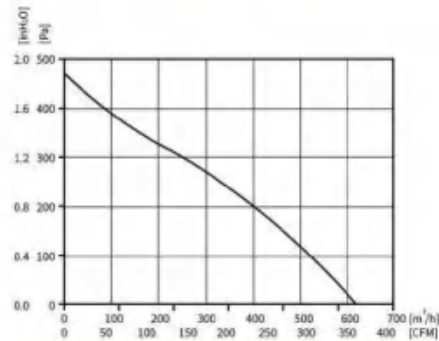
Model	Motor	Bearing System	Rated Voltage	Operating Voltage	Rated Current	Rated Power	Rated Speed	Air Flow	Air Pressure	Sound Level
Part No.	Type	I/S	VAC	VDC	A	W	RPM	M³/H	Pa	dB(A)
PK3N175B24H	BE72DC	BALL	24	16-28	1.6	38.4	3100	565	402	65
PK3N175B48H	BE72DC	BALL	48	36-57	0.8	38.4	3100	565	402	65

### DC Fan with Support Bracket 226x226x95.6mm

### DC Fan with Support Bracket 226x226x95.6mm

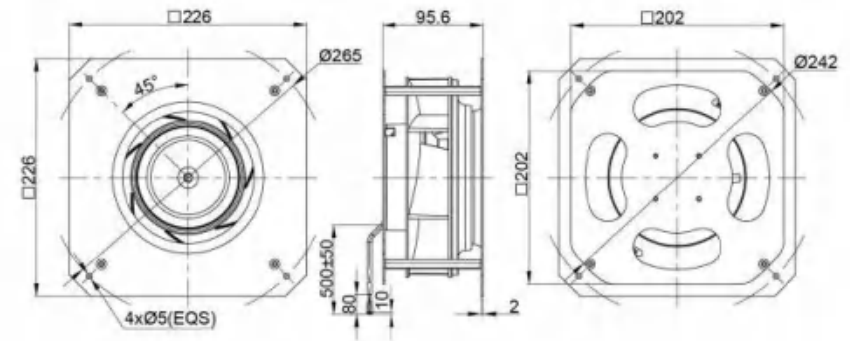
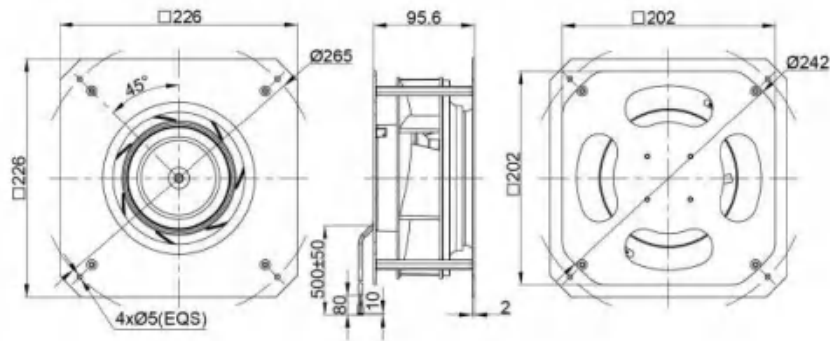
EC DC Series

EC DC Series



Motor Type DC BRUSHLESS EXTERNAL ROTOR MOTOR	Speed Control 0-10VDC/PWM	Protection Type IP44	Insulation Class B	Operating Temperature -25°C ~ +60°C	Weight 2.97KG	Wiring Mode D1
--	------------------------------	-------------------------	-----------------------	--	------------------	-------------------

Motor Type DC BRUSHLESS EXTERNAL ROTOR MOTOR	Speed Control 0-10VDC/PWM	Protection Type IP44	Insulation Class B	Operating Temperature -25°C ~ +60°C	Weight 3.4KG	Wiring Mode D2
--	------------------------------	-------------------------	-----------------------	--	-----------------	-------------------



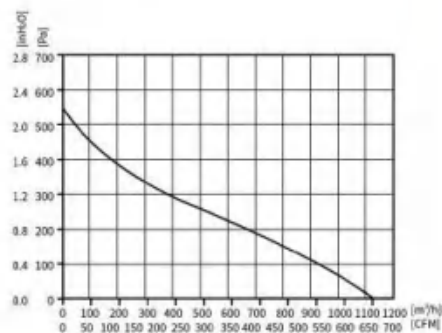
Model	Motor	Bearing System	Rated Voltage	Operating Voltage	Rated Current	Rated Power	Rated Speed	Air Flow	Air Pressure	Sound Level
Part No.	Type	I/S	VDC	VDC	A	W	RPM	M³/H	Pa	dB(A)
PK3N190B24M	BE72DC	BALL	24	16-28	2.4	57.6	2950	620	473	68
PK3N190B48M	BE72DC	BALL	48	36-57	1.2	57.6	2950	620	473	68

Model	Motor	Bearing System	Rated Voltage	Operating Voltage	Rated Current	Rated Power	Rated Speed	Air Flow	Air Pressure	Sound Level
Part No.	Type	I/S	VAC	VDC	A	W	RPM	M³/H	Pa	dB(A)
PK3N190B24H	BE92DC	BALL	24	16-28	3.4	81.6	3300	560	627	68
PK3N190B48H	BE92DC	BALL	48	36-57	1.7	81.6	3300	560	627	68

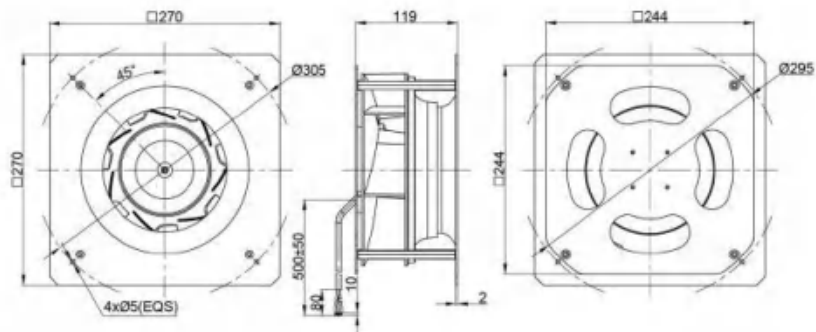


# DC Fan with Support Bracket 270x270x119mm

EC-DC Series



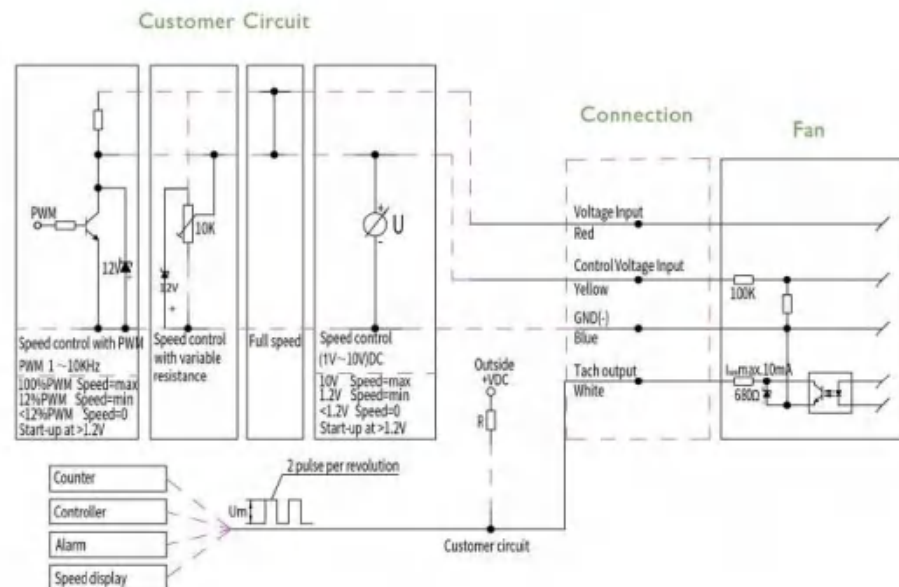
Motor Type DC BRUSHLESS EXTERNAL ROTOR MOTOR	Speed Control 0-10VDC/PWM	Protection Type IP44	Insulation Class B	Operating Temperature -25°C ~ +60°C	Weight 3.75KG	Wiring Mode D2
---	------------------------------	-------------------------	-----------------------	--	------------------	-------------------



Model	Motor	Bearing System	Rated Voltage	Operating Voltage	Rated Current	Rated Power	Rated Speed	Air Flow	Air Pressure	Sound Level
Part No.	Type	B/S	VDC	VDC	A	W	PPM	M³/H	Pa	dB(A)
PK3N225B24H	BE92DC	BALL	24	16-28	4.0	96	2600	1125	540	72
PK3N225B48H	BE92DC	BALL	48	36-57	2.0	96	2600	1125	540	72

# Wiring Diagram

P44 D1-DC Motor 72(Nominal voltage 12/24/48/85/110/310VDC)

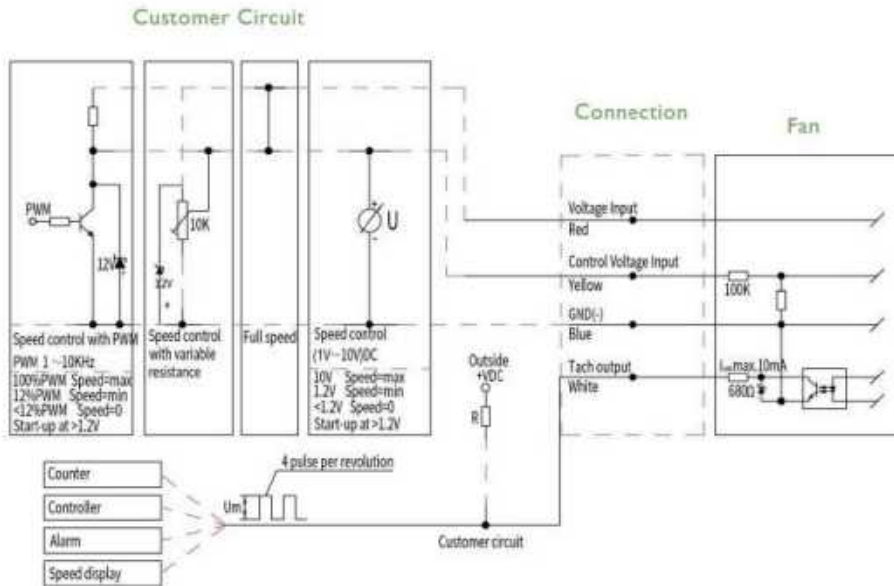


Wiring Diagrams

Signal	Color	Assignment/Function
Red = +	Red	Voltage Input
Yellow = 0-10VDC/PWM	Yellow	Control Input
White = FG	White	Tach output: 2 pulse per revolution
Blue = GND	Blue	GND

# Wiring Diagram

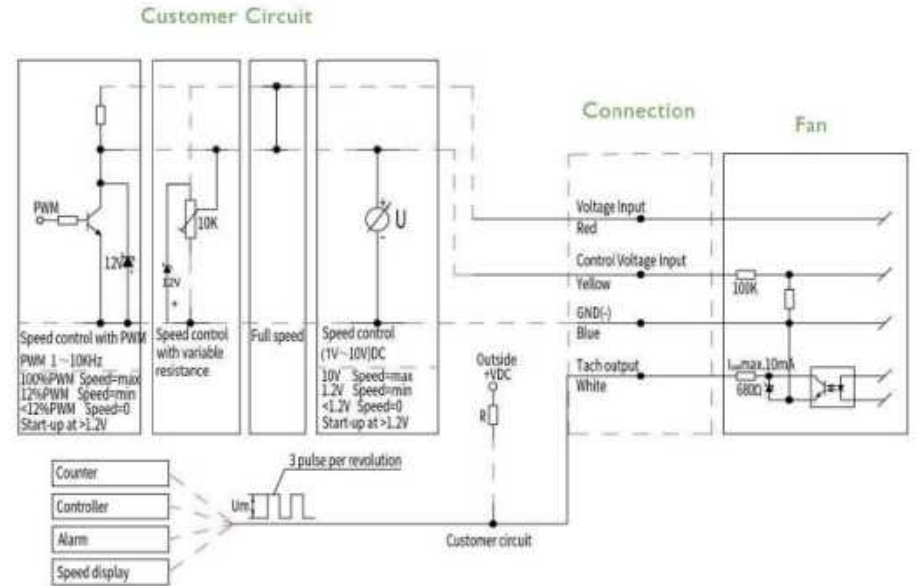
IP44 D2-DC Motor 92(Nominal voltage 12/24/48/85/110/310VDC)



Signal	Color	Assignment/Function
Red = +	Red	Voltage Input
Yellow = 0-10VDC/PWM	Yellow	Control Input
White = FG	White	Tach output: 4 puls per revolution
Blue = GND	Blue	GND

# Wiring Diagram

IP44 D3-DC Motor 102(Nominal voltage 12/24/48/85/110/310VDC)



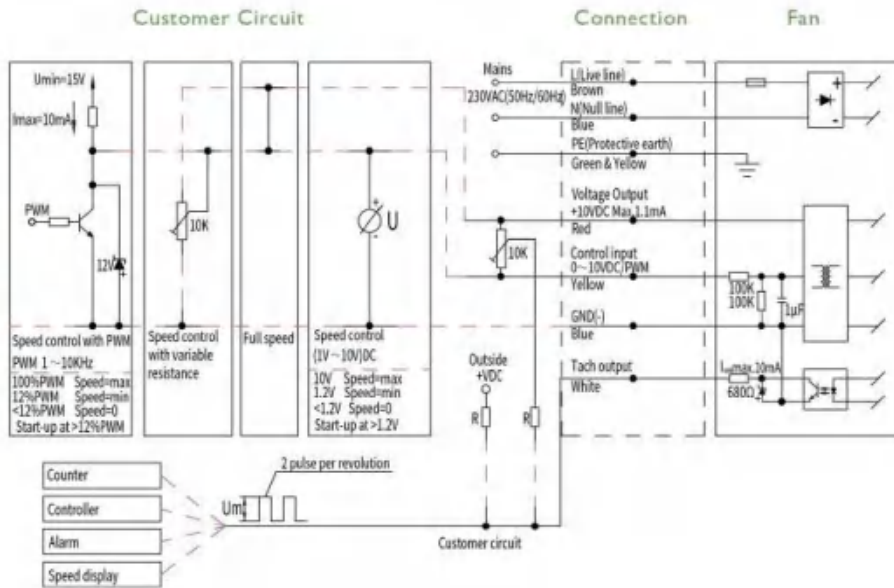
Signal	Color	Assignment/Function
Red = +	Red	Voltage Input
Yellow = 0-10VDC/PWM	Yellow	Control Input
White = FG	White	Tach output: 3 puls per revolution
Blue = GND	Blue	GND

Wiring Diagrams

Wiring Diagrams

# Wiring Diagram

IP44 E1-EC Motor 72(Nominal voltage 115/230VAC)



Line1(AC)	Color	Assignment/Function
L(Live Line)	Brown	Mains 50/60 Hz phase
N(Null Line)	Blue	Mains 50/60 Hz neutral
PE(Protective Earth)	Green & Yellow	Protective Earth

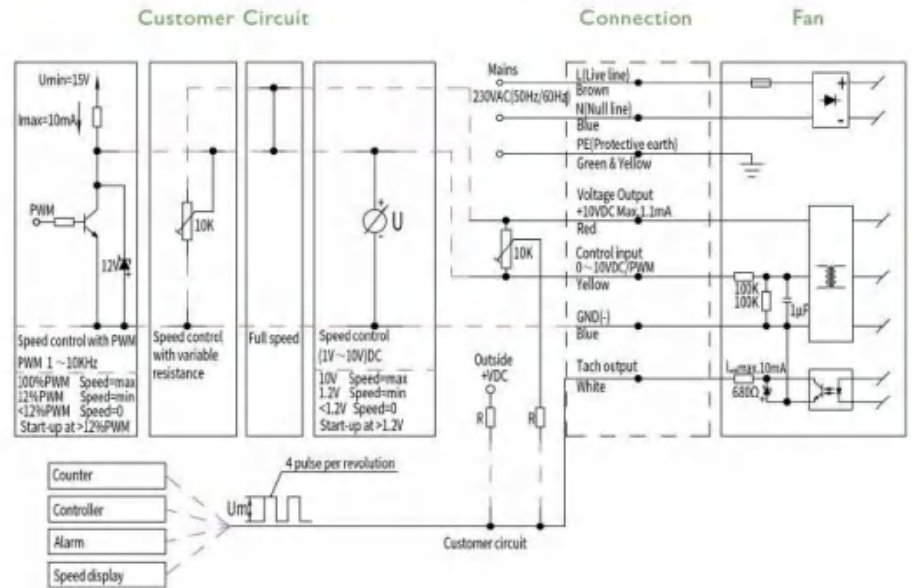
Line2(DC)	Color	Assignment/Function
+10VDC	Red	Voltage Output +10VDC max.1.1mA
0-10VDC/PWM	Yellow	Control Input
Tach Output	White	Tach Output 2 pul per revolution
GND	Blue	GND

Signal	Color	Assignment/Function
L	Brown	Mains 50/60 Hz phase
N	Blue	Mains 50/60 Hz neutral
PE	Green & Yellow	Protective Earth

Signal	Color	Assignment/Function
+10VDC	Red	Voltage Output +10VDC max.1.1mA
0-10VDC/PWM	Yellow	Control Input
Tach Output	White	Tach Output 2 pul per revolution
GND	Blue	GND

# Wiring Diagram

IP44 E2-EC Motor 92(Nominal voltage 115/230VAC)



Line1(AC)	Color	Assignment/Function
L(Live Line)	Brown	Mains 50/60 Hz phase
N(Null Line)	Blue	Mains 50/60 Hz neutral
PE(Protective Earth)	Green & Yellow	Protective Earth

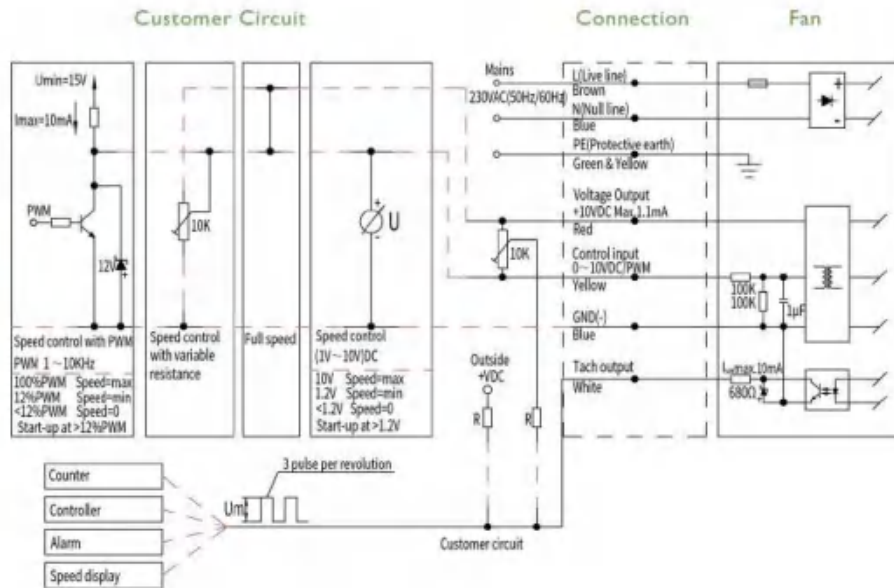
Line2(DC)	Color	Assignment/Function
+10VDC	Red	Voltage Output +10VDC max.1.1mA
0-10VDC/PWM	Yellow	Control Input
Tach Output	White	Tach Output 4 pul per revolution
GND	Blue	GND

Signal	Color	Assignment/Function
L	Brown	Mains 50/60 Hz phase
N	Blue	Mains 50/60 Hz neutral
PE	Green & Yellow	Protective Earth

Signal	Color	Assignment/Function
+10VDC	Red	Voltage Output +10VDC max.1.1mA
0-10VDC/PWM	Yellow	Control Input
Tach Output	White	Tach Output 4 pul per revolution
GND	Blue	GND

# Wiring Diagram

IP44 E3-EC Motor 102(Nominal voltage 115/230VAC)



**Line1(AC)**  
 Brown= L(Live Line)  
 Blue= N(Null Line)  
 Green & Yellow=PE(Protective Earth)

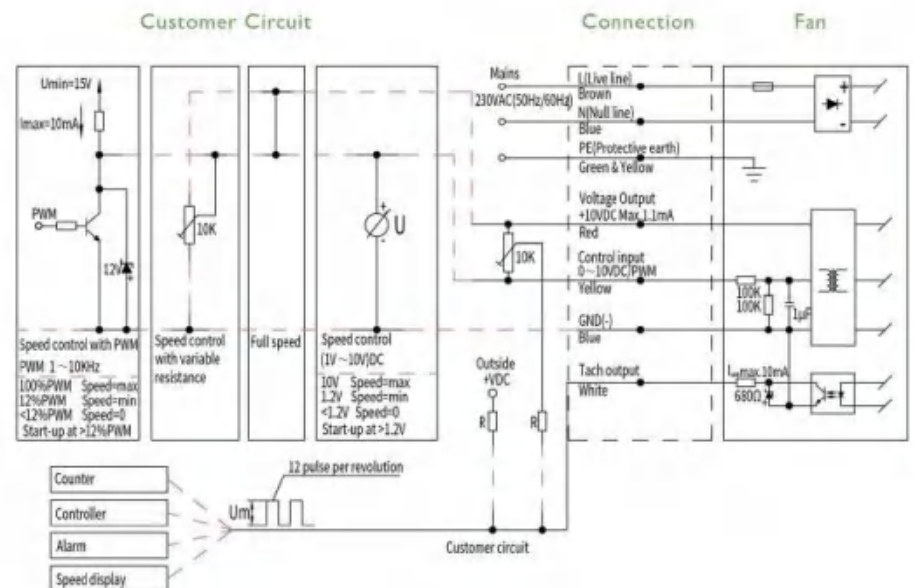
**Line2(DC)**  
 Red= Voltage Output +10VDC  
 Yellow= 0-10VDC/PWM  
 White= FG  
 Blue= GND

Signal	Color	Assignment/Function
L	Brown	Mains 50/60 Hz,phase
N	Blue	Mains 50/60 Hz,neutral
PE	Green & Yellow	Protective Earth

Signal	Color	Assignment/Function
+10VDC	Red	Voltage Output +10VDC max.1.1mA
0-10VDC/PWM	Yellow	Control Input
Tach Output	White	Tach Output:3 puls per revolution
GND	Blue	GND

# Wiring Diagram

IP44 E4-EC Motor 102(Nominal voltage 115/230VAC)



**Line1(AC)**  
 Brown= L(Live Line)  
 Blue= N(Null Line)  
 Green & Yellow=PE(Protective Earth)

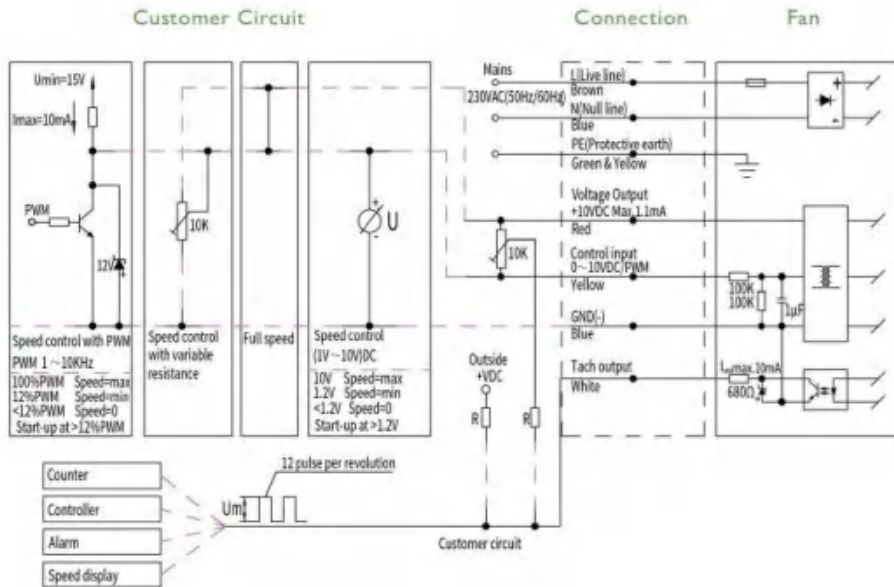
**Line2(DC)**  
 Red= Voltage Output +10VDC  
 Yellow= 0-10VDC/PWM  
 White= FG  
 Blue= GND

Signal	Color	Assignment/Function
L	Brown	Mains 50/60 Hz,phase
N	Blue	Mains 50/60 Hz,neutral
PE	Green & Yellow	Protective Earth

Signal	Color	Assignment/Function
+10VDC	Red	Voltage Output +10VDC max.1.1mA
0-10VDC/PWM	Yellow	Control Input
Tach Output	White	Tach Output:12 puls per revolution
GND	Blue	GND

# Wiring Diagram

IP44 E5-EC Motor 138(Nominal voltage 115/230VAC)



Line1(AC)	Color	Assignment/Function
Brown	Brown	L(Live Line)
Blue	Blue	N(Null Line)
Green & Yellow	Green & Yellow	PE(Protective Earth)

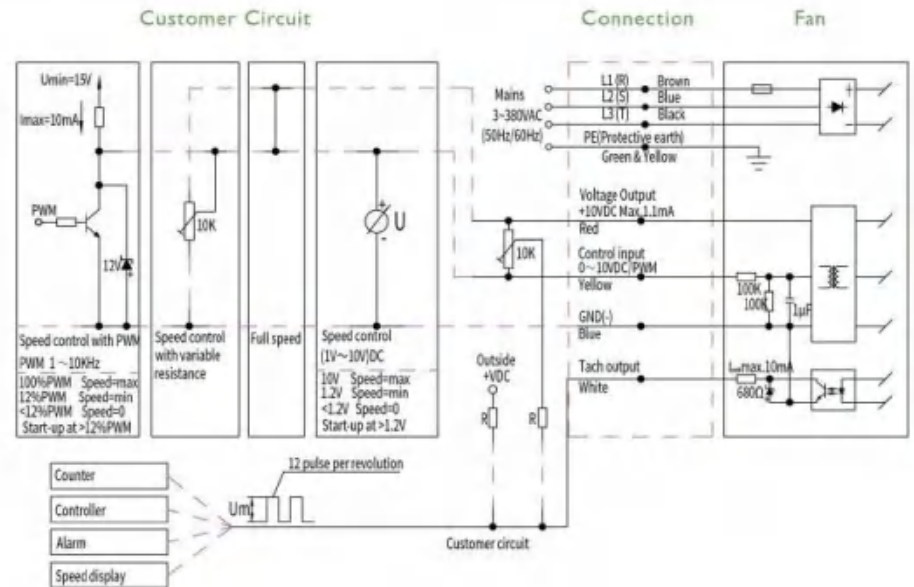
Line2(DC)	Color	Assignment/Function
Red	Red	Voltage Output +10VDC
Yellow	Yellow	0-10VDC/PWM
White	White	FG
Blue	Blue	GND

Signal	Color	Assignment/Function
L	Brown	Mains 50/60 Hz.phase
N	Blue	Mains 50/60 Hz.neutral
PE	Green & Yellow	Protective Earth

Signal	Color	Assignment/Function
+10VDC	Red	Voltage Output +10VDC max.1.1mA
0-10VDC/PWM	Yellow	Control Input
Tach Output	White	Tach Output:12 puls per revolution
GND	Blue	GND

# Wiring Diagram

IP44 E6-EC Motor 102/138/188(Nominal voltage 380VAC)



Line1(AC)	Color	Assignment/Function
Brown	Brown	L1
Blue	Blue	L2
Black	Black	L3
Green & Yellow	Green & Yellow	Protective Earth

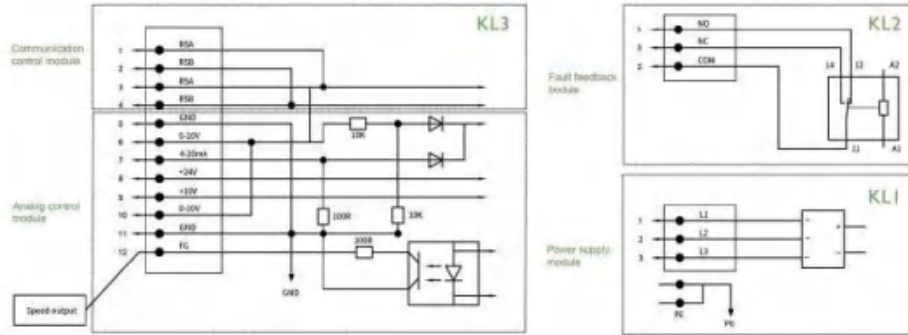
Line2(DC)	Color	Assignment/Function
Red	Red	Voltage Output +10VDC
Yellow	Yellow	0-10VDC/PWM
White	White	FG
Blue	Blue	GND

Signal	Color	Assignment/Function
L1	Brown	Mains 50/60 Hz.R
L2	Blue	Mains 50/60 Hz.S
L3	Black	Mains 50/60 Hz.T
PE	Green & Yellow	Protective Earth

Signal	Color	Assignment/Function
+10VDC	Red	Voltage Output +10VDC max.1.1mA
0-10VDC/PWM	Yellow	Control Input
Tach output	White	Tach Output+puls per revolution
GND	Blue	GND

# Wiring Diagram

E7-EC Motor 102/138(380VAC) with Modbus



Wiring Diagrams

## Electrical Connections with Modbus

Connector	Pin	Signal	Assignment/Function
KL1	1	L1	Mains supply connection.
	2	L2	Supply voltage:3-380-480VAC,50/60Hz.
	3	L3	
PE		PE	Earth connection,PE connection
KL2	1	NO	The relay is normally open,the fan is not powered and normally operation,open with COM,the fan is fails,closed with COM
	2	COM	Status relay,common connection,contact rating 250VAC/2A(AC1)
KL3	1	RSA	Bus connection RS485,RSAMODBUS RTU.
	2	RSB	Bus connection RS485,RSAMODBUS RTU
	3	RSA	Bus connection RS485,RSAMODBUS RTU
	4	RSB	Bus connection RS485,RSAMODBUS RTU
KL3	5	GND	Single ground for control interface KL3.
	6	0-10V/PWM	Control input 0-10VDC/PWM,only usable as alternative to input 4-20mA.
	7	4-20mA	Analogue control input 4-20mA,only usable as alternative to input 0-10VDC/PWM
	8	+24V	Fixed voltage output 24VDC(±2V max,20mA);Power supply for ext.devices.
	9	+10V	Fixed voltage output 10VDC(±1V max,5mA);Power supply for ext.devices.
	10	0-10V/PWM	Control input 0-10VDC/PWM,only usable as alternative to input 4-20mA.
	11	GND	Single ground for control interface KL3.
	12	FG	Speed signal feedback.

## IP55 Type

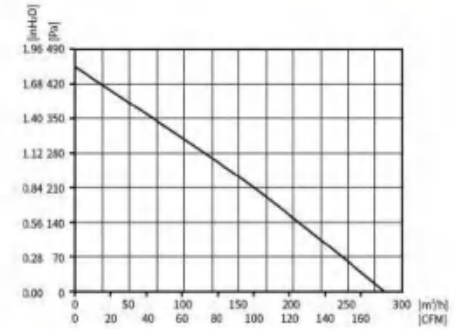
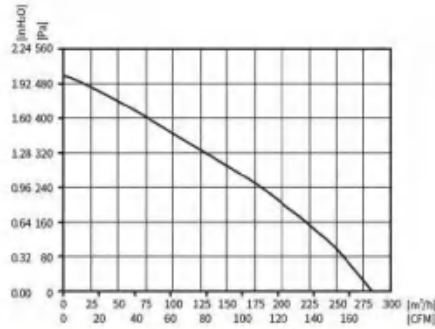


### EC Fan with Support Bracket 165x165x75.8mm

### EC Fan with Support Bracket 165x165x75.8mm

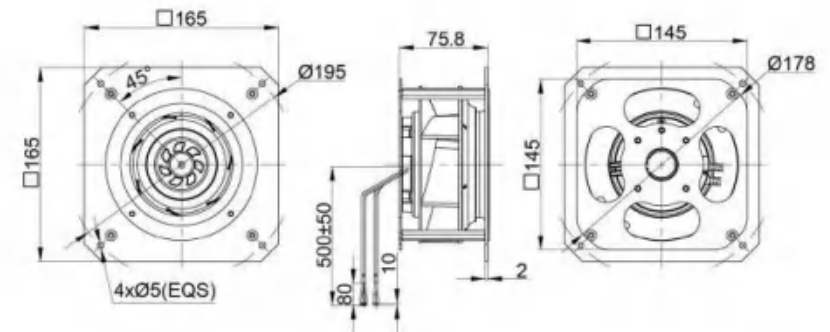
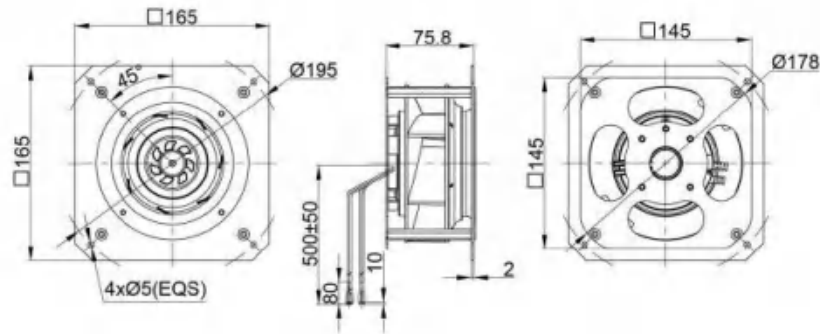
EC-AC-Series

EC-AC-Series



Motor Type BE BRUSHLESS EXTERNAL ROTOR MOTOR	Speed Control 0-10VDC/PWM	Protection Type IP55	Insulation Class B	Operating Temperature -25°C~+60°C	Weight 2.6KG	Wing Mode E1
---	------------------------------	-------------------------	-----------------------	--------------------------------------	-----------------	-----------------

Motor Type EE BRUSHLESS EXTERNAL ROTOR MOTOR	Speed Control 0-10VDC/PWM	Protection Type IP55	Insulation Class B	Operating Temperature -25°C~+60°C	Weight 2.6KG	Wing Mode E1
---	------------------------------	-------------------------	-----------------------	--------------------------------------	-----------------	-----------------



Model	Motor	Bearing System	Rated Voltage	Frequency	Rated Current	Rated Power	Rated Speed	Air Flow	Air Pressure	Sound Level
Part No.	Type	B/S	VAC	Hz	A	W	RPM	M³/H	Pa	dB(A)
PK3N13382E-FZ5	BE50EC	BALL	230	50/60	0.25	34	4450	280	500	65

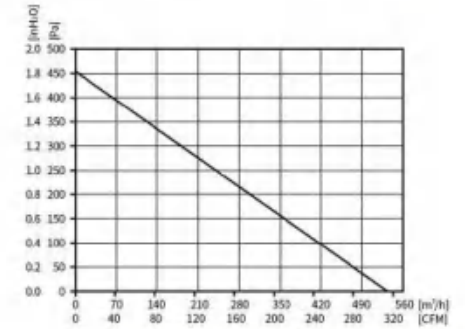
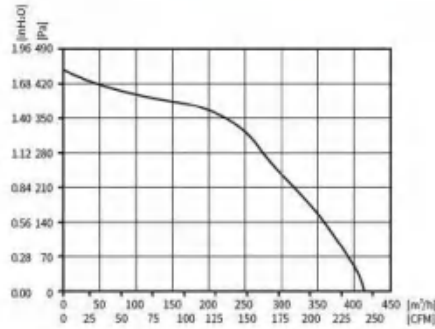
Model	Motor	Bearing System	Rated Voltage	Frequency	Rated Current	Rated Power	Rated Speed	Air Flow	Air Pressure	Sound Level
Part No.	Type	B/S	VAC	Hz	A	W	RPM	M³/H	Pa	dB(A)
PK3N13382E-FZ0	BE50EC	BALL	230	50/60	0.2	30	4250	281	450	64

### EC Fan with Support Bracket 165x165x122.8mm

### EC Fan with Support Bracket 226x226x81.6mm

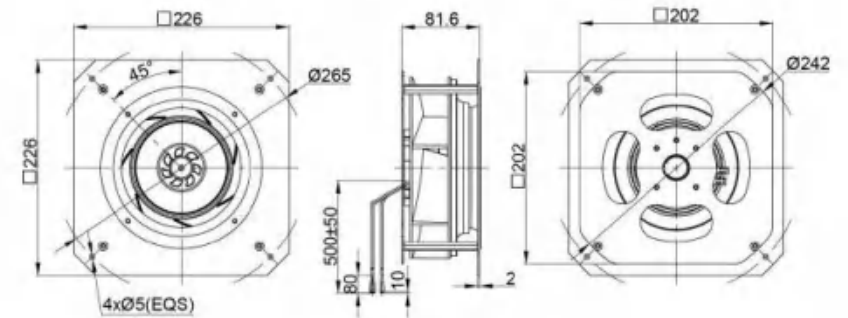
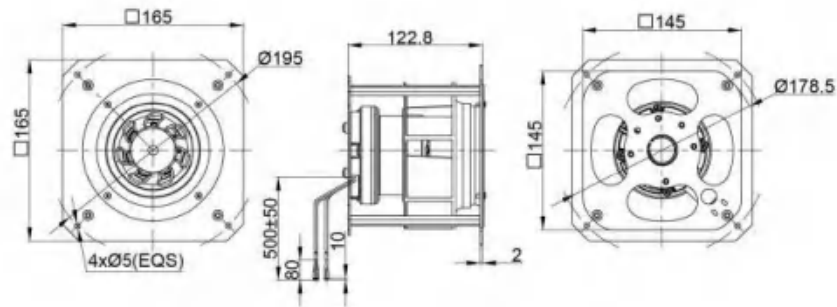
EC-AC-Series

EC-AC-Series



Motor Type EE BRUSHLESS EXTERNAL ROTOR MOTOR	Speed Control 0-10VDC/PWM	Protection Type IP55	Insulation Class B	Operating Temperature -25°C ~ +60°C	Weight 2.65KG	Wing Mode E1
---	------------------------------	-------------------------	-----------------------	--	------------------	-----------------

Motor Type EE BRUSHLESS EXTERNAL ROTOR MOTOR	Speed Control 0-10VDC/PWM	Protection Type IP55	Insulation Class B	Operating Temperature -25°C ~ +60°C	Weight 2.75KG	Wing Mode E1
---	------------------------------	-------------------------	-----------------------	--	------------------	-----------------



Model	Motor	Bearing System	Rated Voltage	Frequency	Rated Current	Rated Power	Rated Speed	Air Flow	Air Pressure	Sound Level
Part No.	Type	B/S	VAC	Hz	A	W	IPM	M³/H	Pa	dB(A)
PK3N133B2E-RB2	BE72EC	BALL	230	50/60	0.3	43	4400	415	450	70

Model	Motor	Bearing System	Rated Voltage	Frequency	Rated Current	Rated Power	Rated Speed	Air Flow	Air Pressure	Sound Level
Part No.	Type	B/S	VAC	Hz	A	W	IPM	M³/H	Pa	dB(A)
PK3N175B2E-FZ5	BE59EC	BALL	230	50/60	0.3	40	3200	535	451	65

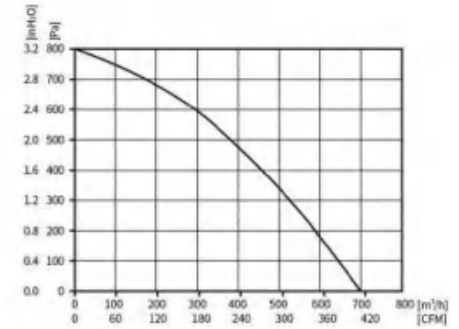
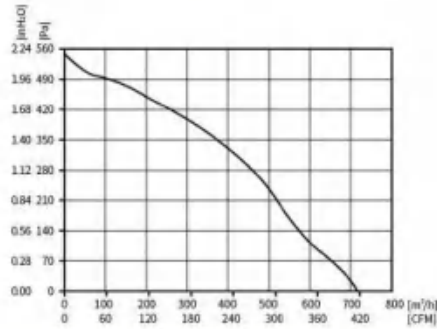


### EC Fan with Support Bracket 226x226x81.6mm

### EC Fan with Support Bracket 226x226x81.6mm

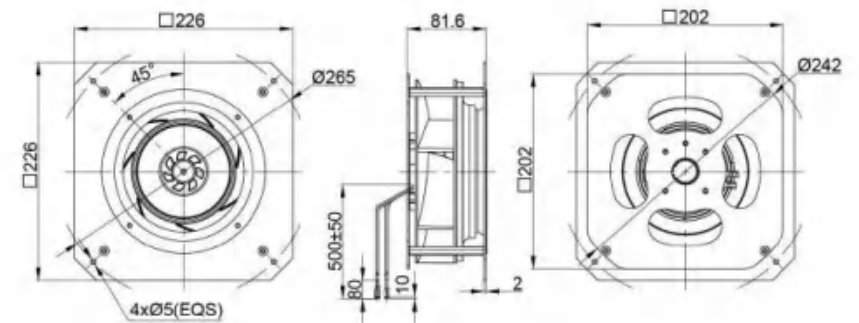
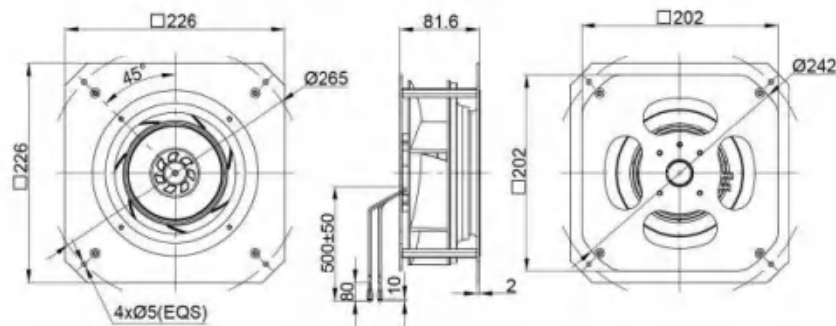
EC-AC-Series

EC-AC-Series



Motor Type BE BRUSHLESS EXTERNAL ROTOR MOTOR	Speed Control 3-10VDC/ PWM	Protection Type IP55	Insulation Class B	Operating Temperature -25°C ~ +60°C	Weight 3.3KG	Wiring Mode E1
---	-------------------------------	-------------------------	-----------------------	--	-----------------	-------------------

Motor Type BE BRUSHLESS EXTERNAL ROTOR MOTOR	Speed Control 3-10VDC/ PWM	Protection Type IP55	Insulation Class B	Operating Temperature -25°C ~ +60°C	Weight 3.5KG	Wiring Mode E1
---	-------------------------------	-------------------------	-----------------------	--	-----------------	-------------------



Model	Motor	Bearing System	Rated Voltage	Frequency	Rated Current	Rated Power	Rated Speed	Air Flow	Air Pressure	Sound Level
Part No.	Type	B/S	VAC	Hz	A	W	RPM	M³/H	Pa	dB(A)
PK3N175B2E-R20	BE72EC	BALL	230	50/60	0.6	72	4050	710	550	72

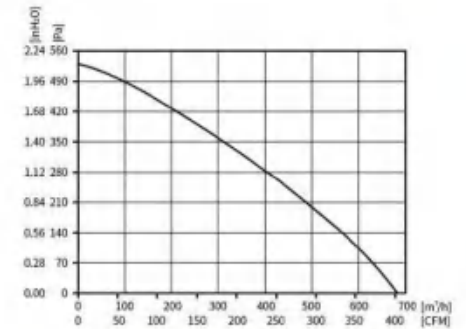
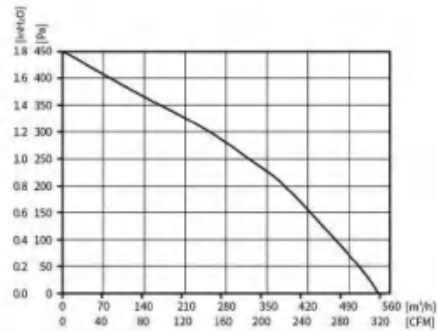
Model	Motor	Bearing System	Rated Voltage	Frequency	Rated Current	Rated Power	Rated Speed	Air Flow	Air Pressure	Sound Level
Part No.	Type	B/S	VAC	Hz	A	W	RPM	M³/H	Pa	dB(A)
PK3N175B2E-S20	BE72EC	BALL	230	50/60	0.75	110	4600	700	800	74

### EC Fan with Support Bracket 226x226x81.6mm

### EC Fan with Support Bracket 226x226x81.6mm

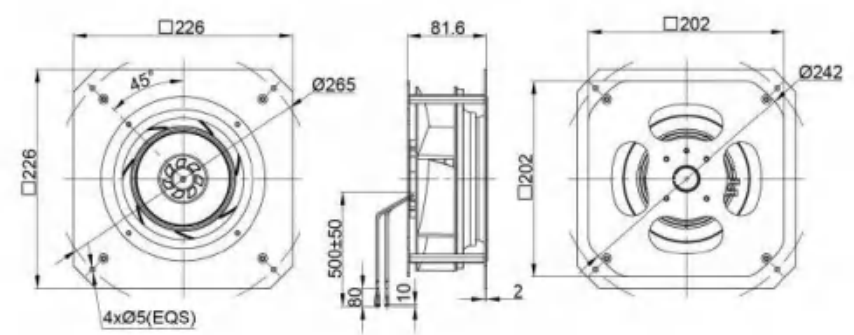
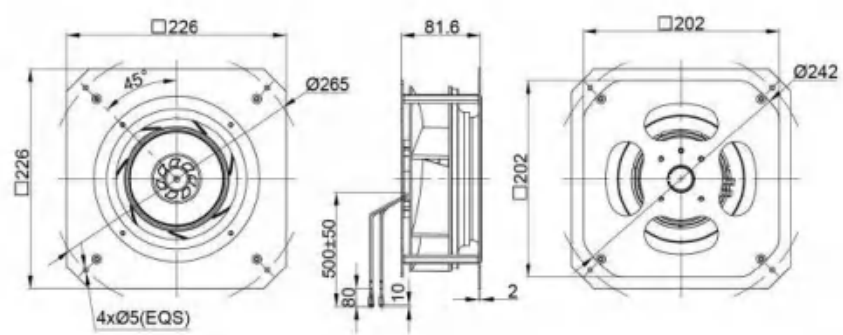
EC-AC-Series

EC-AC-Series



Motor Type BE BRUSHLESS EXTERNAL ROTOR MOTOR	Speed Control 0-10VDC/FWM	Protection Type IP55	Insulation Class B	Operating Temperature -25°C~+60°C	Weight 3.35KG	Wing Mode E1
---	------------------------------	-------------------------	-----------------------	--------------------------------------	------------------	-----------------

Motor Type BE BRUSHLESS EXTERNAL ROTOR MOTOR	Speed Control 0-10VDC/FWM	Protection Type IP55	Insulation Class B	Operating Temperature -25°C~+60°C	Weight 3.35KG	Wing Mode E1
---	------------------------------	-------------------------	-----------------------	--------------------------------------	------------------	-----------------



Model	Motor	Bearing System	Rated Voltage	Frequency	Rated Current	Rated Power	Rated Speed	Air Flow	Air Pressure	Sound Level
Part No.	Type	B/S	VAC	Hz	A	W	RPM	M³/H	Pa	dB(A)
PK3N190B2E-R20	BE72EC	BALL	230	50/60	0.4	52	2940	540	450	65

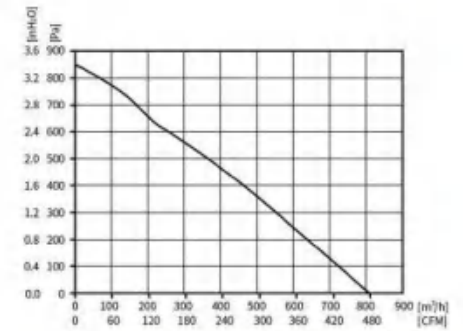
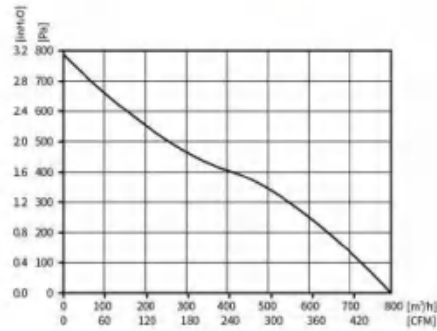
Model	Motor	Bearing System	Rated Voltage	Frequency	Rated Current	Rated Power	Rated Speed	Air Flow	Air Pressure	Sound Level
Part No.	Type	B/S	VAC	Hz	A	W	RPM	M³/H	Pa	dB(A)
PK3N190B2E-RZ1	BE72EC	BALL	230	50/60	0.6	70	3300	685	530	68

### EC Fan with Support Bracket 226x226x81.6mm

### EC Fan with Support Bracket 226x226x81.6mm

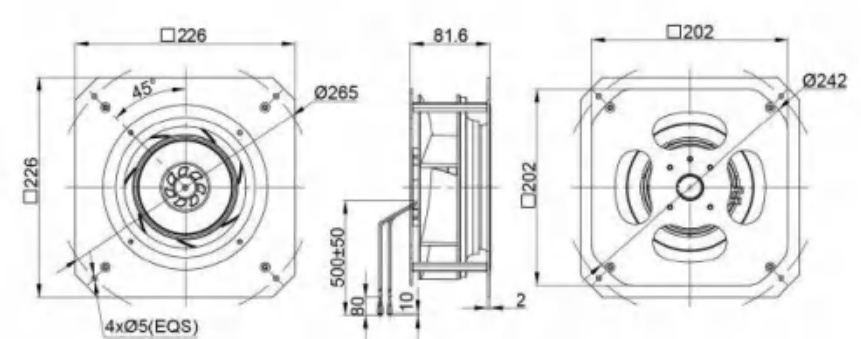
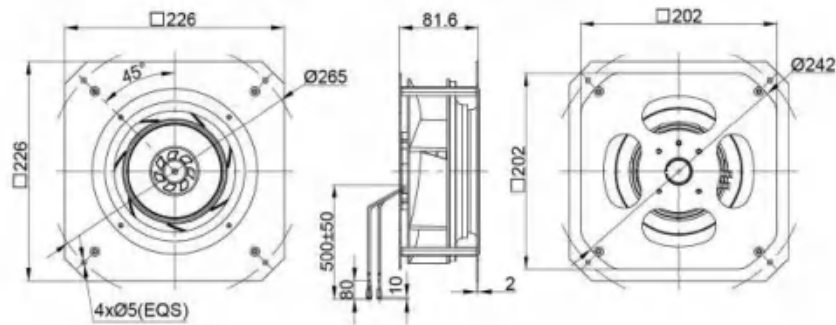
EC-AC-Series

EC-AC-Series



Motor Type BE BRUSHLESS EXTERNAL ROTOR MOTOR	Speed Control 3-10VDC/ PWM	Protection Type IP55	Insulation Class B	Operating Temperature -25°C ~ +60°C	Weight 3.35KG	Wing Mode E1
---	-------------------------------	-------------------------	-----------------------	--	------------------	-----------------

Motor Type BE BRUSHLESS EXTERNAL ROTOR MOTOR	Speed Control 3-10VDC/ PWM	Protection Type IP55	Insulation Class B	Operating Temperature -25°C ~ +60°C	Weight 3.45KG	Wing Mode E1
---	-------------------------------	-------------------------	-----------------------	--	------------------	-----------------



Model	Motor	Bearing System	Rated Voltage	Frequency	Rated Current	Rated Power	Rated Speed	Air Flow	Air Pressure	Sound Level
Part No.	Type	B/S	VAC	Hz	A	W	RPM	M³/H	Pa	dBA(A)
PK3N190B2E-R22	BE72EC	BALL	230	50/60	0.9	110	3700	800	790	70

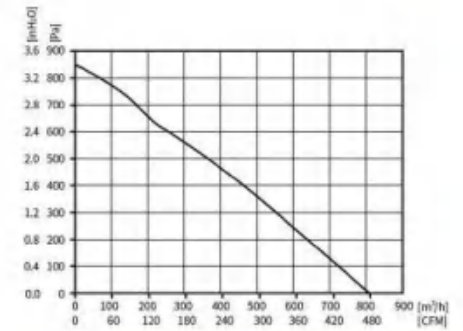
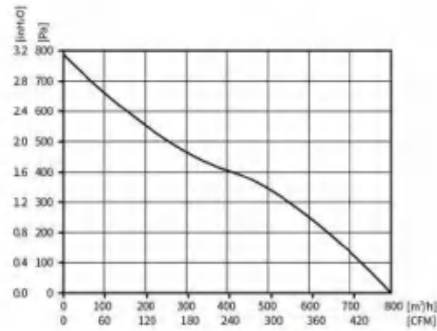
Model	Motor	Bearing System	Rated Voltage	Frequency	Rated Current	Rated Power	Rated Speed	Air Flow	Air Pressure	Sound Level
Part No.	Type	B/S	VAC	Hz	A	W	RPM	M³/H	Pa	dBA(A)
PK3N190B2E-S20	BE72EC	BALL	230	50/60	0.8	110	3800	810	850	71

### EC Fan with Support Bracket 226x226x81.6mm

### EC Fan with Support Bracket 226x226x81.6mm

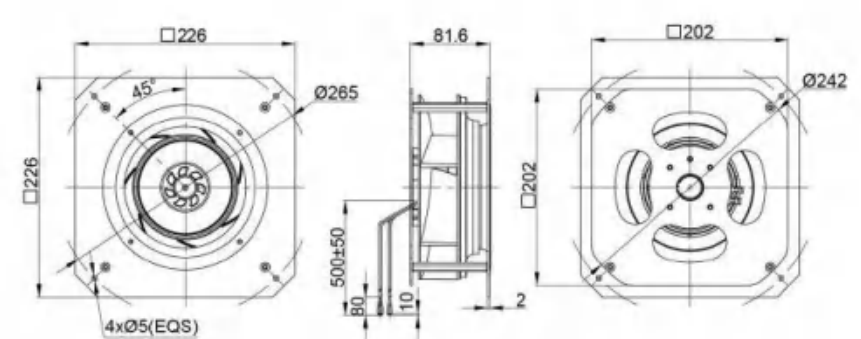
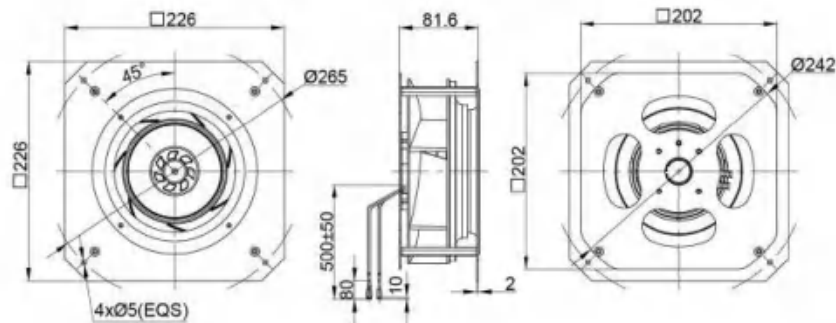
EC-AC-Series

EC-AC-Series



Motor Type BE BRUSHLESS EXTERNAL ROTOR MOTOR	Speed Control 0-10VDC/FWM	Protection Type IP55	Insulation Class B	Operating Temperature -25°C~+60°C	Weight 3.35KG	Wing Mode E1
---	------------------------------	-------------------------	-----------------------	--------------------------------------	------------------	-----------------

Motor Type BE BRUSHLESS EXTERNAL ROTOR MOTOR	Speed Control 0-10VDC/FWM	Protection Type IP55	Insulation Class B	Operating Temperature -25°C~+60°C	Weight 3.45KG	Wing Mode E1
---	------------------------------	-------------------------	-----------------------	--------------------------------------	------------------	-----------------



Model	Motor	Bearing System	Rated Voltage	Frequency	Rated Current	Rated Power	Rated Speed	Air Flow	Air Pressure	Sound Level
Part No.	Type	B/S	VAC	Hz	A	W	RPM	M <sup>3</sup> /H	Pa	dB(A)
PK3N190B2E-RZ2	BE72EC	BALL	230	50/60	0.9	110	3700	800	790	70

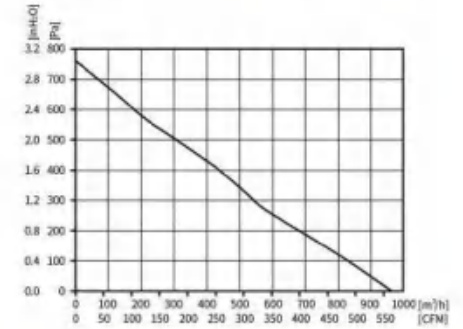
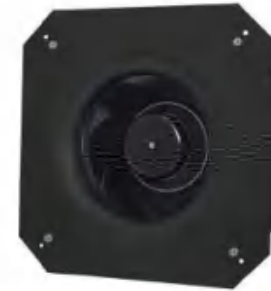
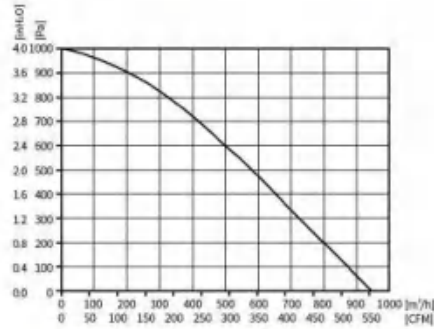
Model	Motor	Bearing System	Rated Voltage	Frequency	Rated Current	Rated Power	Rated Speed	Air Flow	Air Pressure	Sound Level
Part No.	Type	B/S	VAC	Hz	A	W	RPM	M <sup>3</sup> /H	Pa	dB(A)
PK3N190B2E-SZ0	BE72EC	BALL	230	50/60	0.8	110	3800	810	850	71

### EC Fan with Support Bracket 225x225x95.6mm

### EC Fan with Support Bracket 270x270x89.8mm

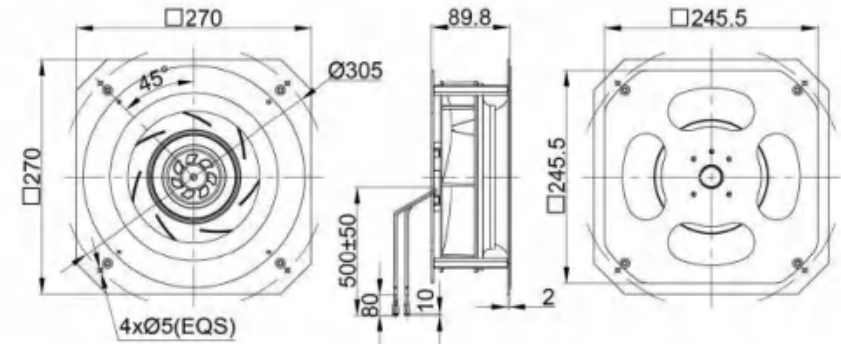
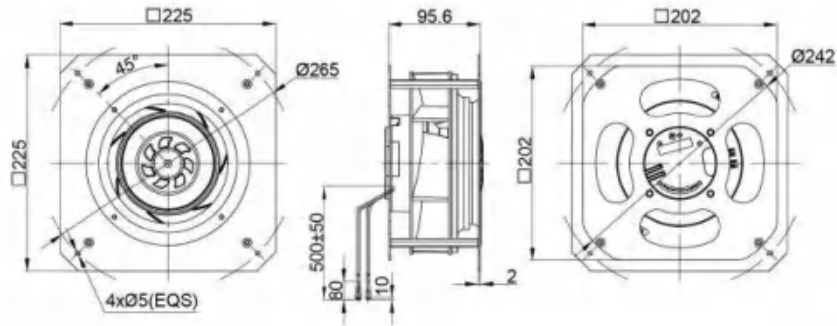
EC-Axial fans

EC-Axial fans



Motor Type BE BRUSHLESS EXTERNAL ROTOR MOTOR	Speed Control 3-10VDC PWM	Protection Type IP55	Insulation Class B	Operating Temperature -25°C ~ +60°C	Weight 3.85KG	Wing Mode E1
---	------------------------------	-------------------------	-----------------------	--	------------------	-----------------

Motor Type BE BRUSHLESS EXTERNAL ROTOR MOTOR	Speed Control 3-10VDC PWM	Protection Type IP55	Insulation Class B	Operating Temperature -25°C ~ +60°C	Weight 3.8KG	Wing Mode E1
---	------------------------------	-------------------------	-----------------------	--	-----------------	-----------------



Model	Motor	Bearing System	Rated Voltage	Frequency	Rated Current	Rated Power	Rated Speed	Air Flow	Air Pressure	Sound Level
Part No.	Type	M/S	VAC	Hz	A	W	IPM	M³/H	Pa	dB(A)
PK3N190B2E-TZ0	BE72EC	BALL	230	50/60	1.2	170	4550	945	1000	72

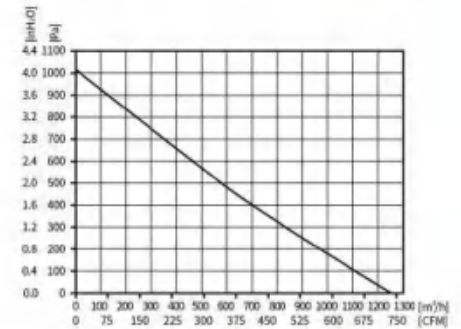
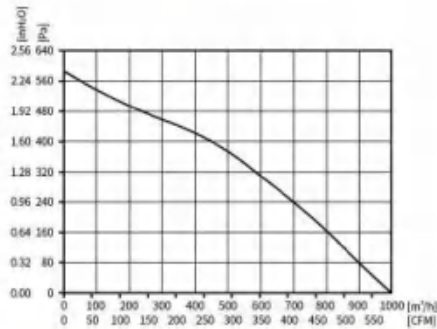
Model	Motor	Bearing System	Rated Voltage	Frequency	Rated Current	Rated Power	Rated Speed	Air Flow	Air Pressure	Sound Level
Part No.	Type	M/S	VAC	Hz	A	W	IPM	M³/H	Pa	dB(A)
PK3N220B2E-RZ0	BE72EC	BALL	230	50/60	0.65	85	2670	960	760	68

### EC Fan with Support Bracket 270x270x89.8mm

### EC Fan with Support Bracket 270x270x103.3mm

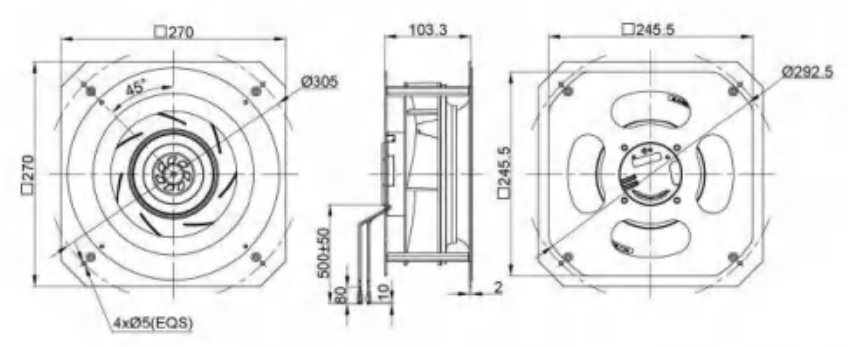
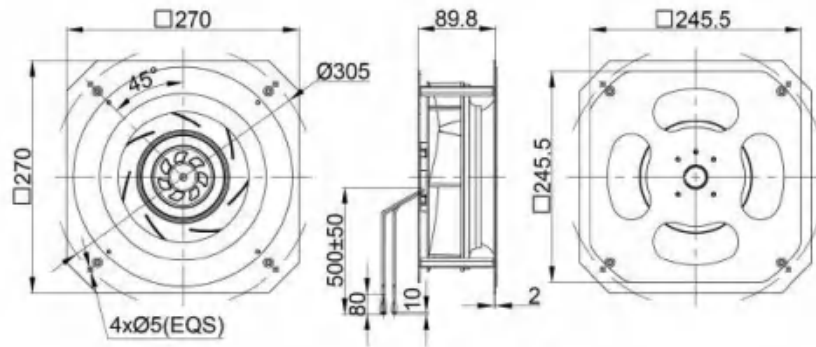
EC-AC Systems

EC-AC Systems



Motor Type Brushless External Motor	Speed Control 3-10VDC/PWM	Protection Type IP55	Insulation Class B	Operating Temperature -25°C ~ +60°C	Weight 3.7KG	Wiring Mode E1
--	------------------------------	-------------------------	-----------------------	--	-----------------	-------------------

Motor Type Brushless External Motor	Speed Control 3-10VDC/PWM	Protection Type IP55	Insulation Class B	Operating Temperature -25°C ~ +60°C	Weight 4.45KG	Wiring Mode E1
--	------------------------------	-------------------------	-----------------------	--	------------------	-------------------



Model	Motor	Bearing System	Rated Voltage	Frequency	Rated Current	Rated Power	Rated Speed	Air Flow	Air Pressure	Sound Level
Part No.	Type	M/S	VAC	Hz	A	W	IPM	M <sup>3</sup> /H	Pa	dB(A)
PK3N220B2E-SZ0	BE72EC	BALL	230	50/60	0.8	110	3100	1000	580	69

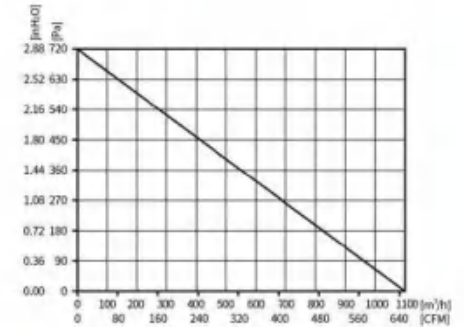
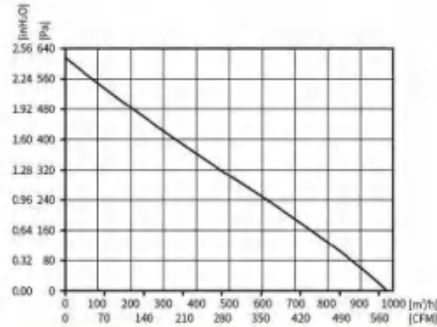
Model	Motor	Bearing System	Rated Voltage	Frequency	Rated Current	Rated Power	Rated Speed	Air Flow	Air Pressure	Sound Level
Part No.	Type	M/S	VAC	Hz	A	W	IPM	M <sup>3</sup> /H	Pa	dB(A)
PK3N220B2E-TZ0	BE72EC	BALL	230	50/60	1.2	170	3500	1255	1010	70

### EC Fan with Support Bracket 270x270x115.3mm

### EC Fan with Support Bracket 270x270x115.3mm

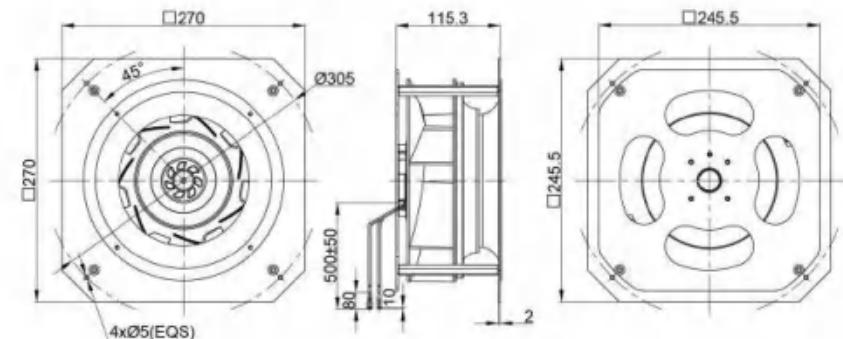
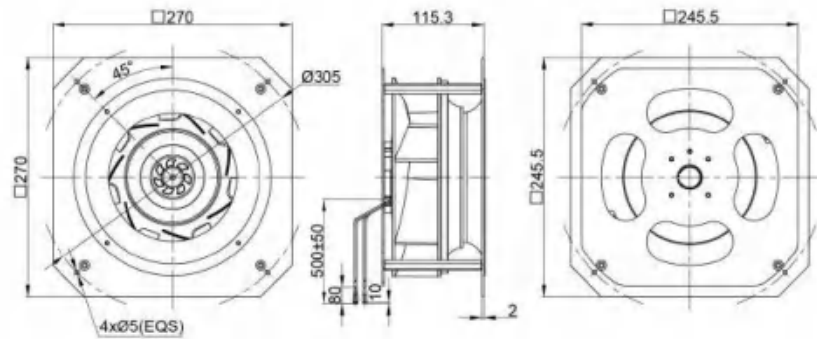
EC-AirSeries

EC-AirSeries



Motor Type Brushless External Motor	Speed Control 0-10VDC/PWM	Protection Type IP55	Insulation Class B	Operating Temperature -25°C ~ +60°C	Weight 3.52KG	Wing Mode E1
--	------------------------------	-------------------------	-----------------------	--	------------------	-----------------

Motor Type Brushless External Motor	Speed Control 0-10VDC/PWM	Protection Type IP55	Insulation Class B	Operating Temperature -25°C ~ +60°C	Weight 3.52KG	Wing Mode E2
--	------------------------------	-------------------------	-----------------------	--	------------------	-----------------



Model	Motor	Bearing System	Rated Voltage	Frequency	Rated Current	Rated Power	Rated Speed	Air Flow	Air Pressure	Sound Level
Part No.	Type	B/S	VAC	Hz	A	W	IPM	M <sup>3</sup> /H	Pa	dB(A)
PK3N225B2E-RG0	BE72EC	BALL	230	50/60	0.6	85	2300	975	620	65

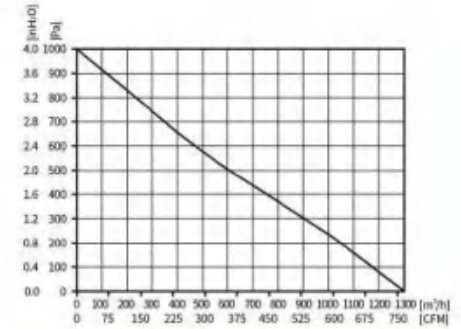
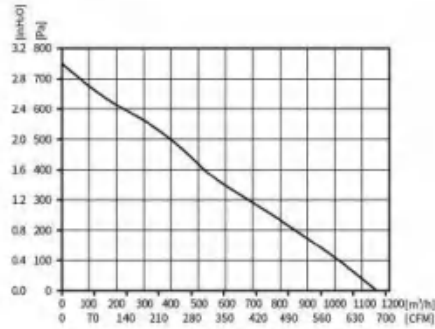
Model	Motor	Bearing System	Rated Voltage	Frequency	Rated Current	Rated Power	Rated Speed	Air Flow	Air Pressure	Sound Level
Part No.	Type	B/S	VAC	Hz	A	W	IPM	M <sup>3</sup> /H	Pa	dB(A)
PK3N225B2E-RG1	BE72EC	BALL	230	50/60	0.75	100	2450	1100	720	66

### EC Fan with Support Bracket 270x270x115.3mm

### EC Fan with Support Bracket 270x270x119.8mm

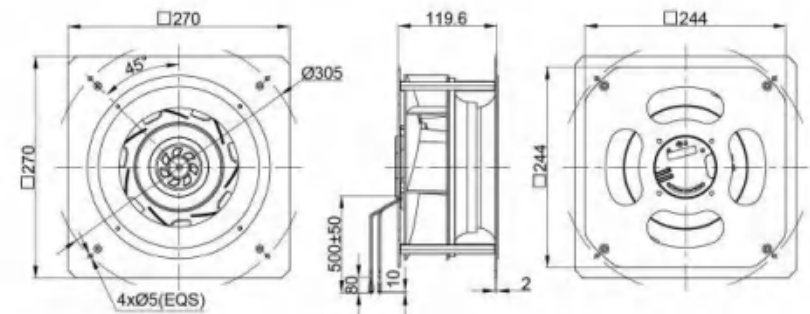
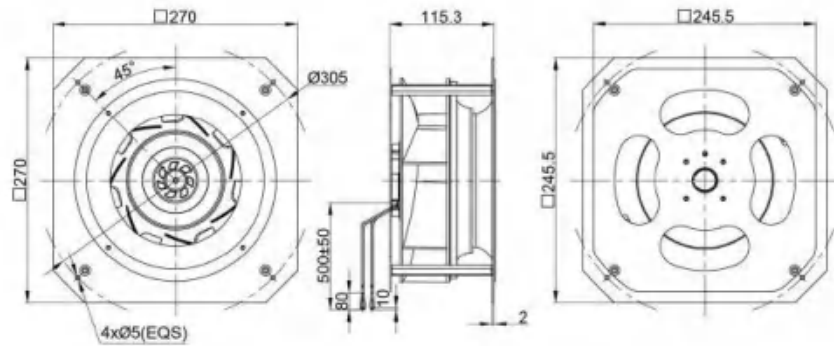
EC-Air Series

EC-Air Series



Motor Type BL BRUSHLESS EXTERNAL ROTOR MOTOR	Speed Control 0-10VDC/FWM	Protection Type IP55	Insulation Class B	Operating Temperature -25°C ~ +60°C	Weight 3.65KG	Wiring Mode E1
---	------------------------------	-------------------------	-----------------------	--	------------------	-------------------

Motor Type BL BRUSHLESS EXTERNAL ROTOR MOTOR	Speed Control 0-10VDC/FWM	Protection Type IP55	Insulation Class B	Operating Temperature -25°C ~ +60°C	Weight 4.47KG	Wiring Mode E1
---	------------------------------	-------------------------	-----------------------	--	------------------	-------------------



Model	Motor	Bearing System	Rated Voltage	Frequency	Rated Current	Rated Power	Rated Speed	Air Flow	Air Pressure	Sound Level
Part No.	Type	M/S	VAC	Hz	A	W	IPM	M³/H	Pa	dB(A)
PK3N225B2E-SG0	BE72EC	BALL	230	50/60	0.8	110	2600	1150	750	68

Model	Motor	Bearing System	Rated Voltage	Frequency	Rated Current	Rated Power	Rated Speed	Air Flow	Air Pressure	Sound Level
Part No.	Type	M/S	VAC	Hz	A	W	IPM	M³/H	Pa	dB(A)
PK3N225B2E-TG0	BE72EC	BALL	230	50/60	1.2	170	3200	1300	1000	71

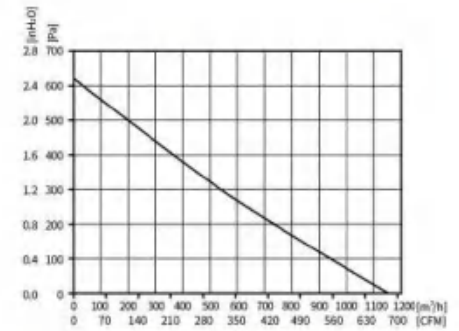
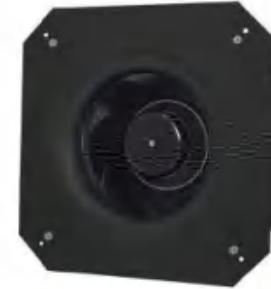
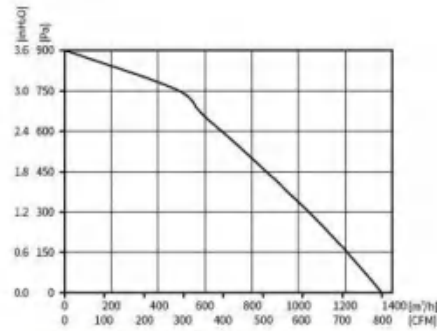


### EC Fan with Support Bracket 270x270x119.6mm

### EC Fan with Support Bracket 300x300x127.8mm

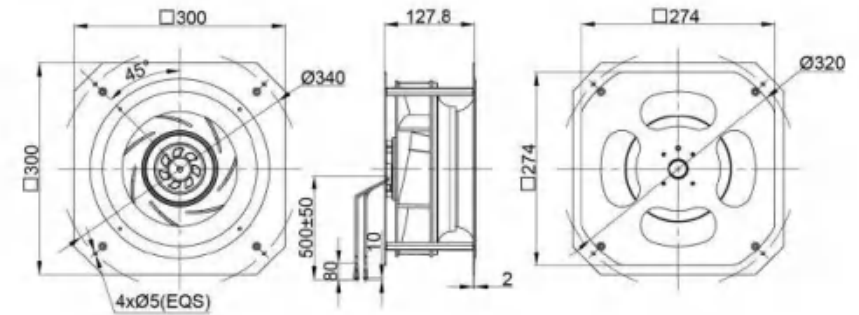
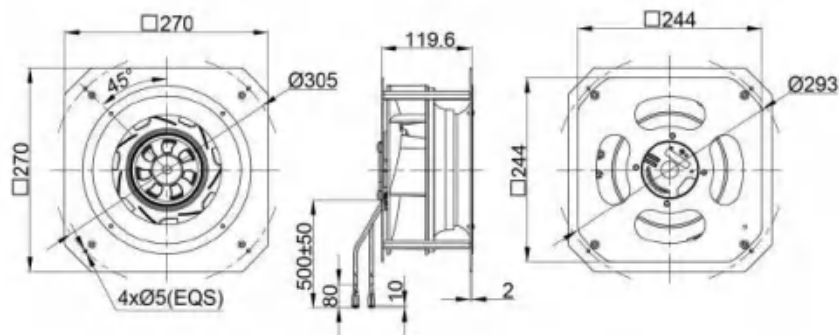
EC-AC-Series

EC-AC-Series



Motor Type BE92BLUSHLESS EXTERNAL ROTOR MOTOR	Speed Control 0-10VDC/PWM	Protection Type IP55	Insulation Class B	Operating Temperature -25°C ~ +60°C	Weight 5.1KG	Wing Mode E2
--	------------------------------	-------------------------	-----------------------	--	-----------------	-----------------

Motor Type BE72BLUSHLESS EXTERNAL ROTOR MOTOR	Speed Control 0-10VDC/PWM	Protection Type IP55	Insulation Class B	Operating Temperature -25°C ~ +60°C	Weight 3.72KG	Wing Mode E1
--	------------------------------	-------------------------	-----------------------	--	------------------	-----------------



Model	Motor	Bearing System	Rated Voltage	Frequency	Rated Current	Rated Power	Rated Speed	Air Flow	Air Pressure	Sound Level
Part No.	Type	B/S	VAC	Hz	A	W	RPM	M³/H	Pa	dB(A)
PK3N225B2E-MG0	BE92EC	BALL	230	50/60	1.6	220	3500	1350	900	72

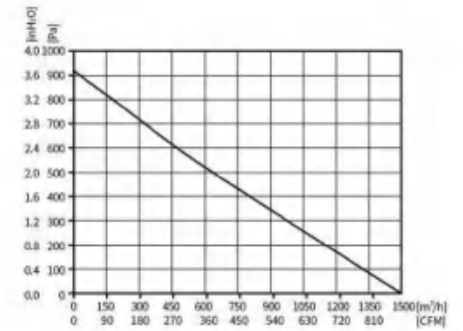
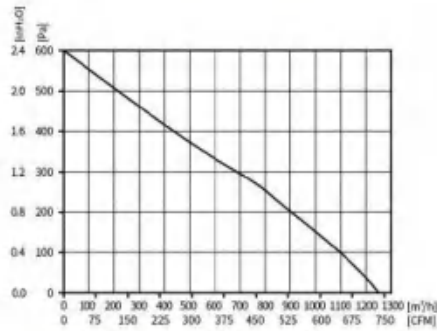
Model	Motor	Bearing System	Rated Voltage	Frequency	Rated Current	Rated Power	Rated Speed	Air Flow	Air Pressure	Sound Level
Part No.	Type	B/S	VAC	Hz	A	W	RPM	M³/H	Pa	dB(A)
PK3N250B2E-RZ0	BE72EC	BALL	230	50/60	0.65	85	2100	1150	610	62

### EC Fan with Support Bracket 300x300x127.8mm

### EC Fan with Support Bracket 300x300x122.3mm

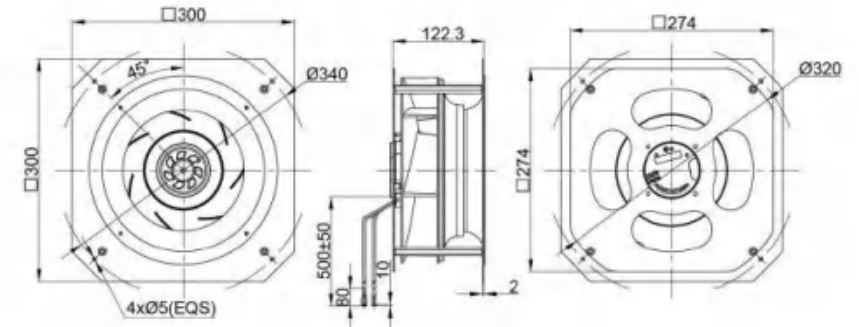
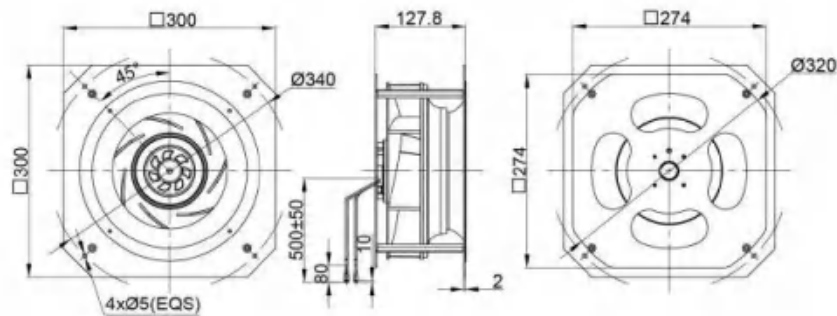
EC-AC-Series

EC-AC-Series



Motor Type HYBRID/BLDC EXTERNAL ROTOR MOTOR	Speed Control 0-10VDC/PWM	Protection Type IP55	Insulation Class B	Operating Temperature -25°C~+60°C	Weight 3.92KG	Wing Mode E1
---	------------------------------	-------------------------	-----------------------	--------------------------------------	------------------	-----------------

Motor Type EE BRUSHLESS EXTERNAL ROTOR MOTOR	Speed Control 0-10VDC/PWM	Protection Type IP55	Insulation Class B	Operating Temperature -25°C~+60°C	Weight 4.42KG	Wing Mode E1
--	------------------------------	-------------------------	-----------------------	--------------------------------------	------------------	-----------------



Model	Motor	Bearing System	Rated Voltage	Frequency	Rated Current	Rated Power	Rated Speed	Air Flow	Air Pressure	Sound Level
Part No.	Type	B/S	VAC	Hz	A	W	IPM	M³/H	Pa	dB(A)
PK3N250B2E-S20	BE72EC	BALL	230	50/60	0.85	115	2350	1250	600	68

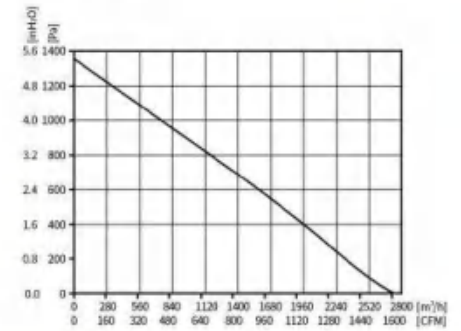
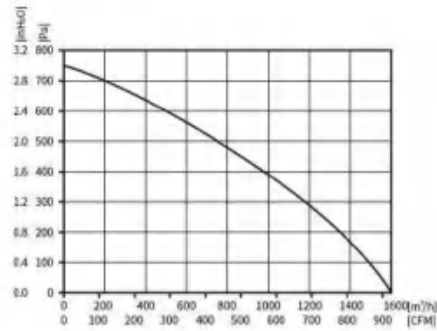
Model	Motor	Bearing System	Rated Voltage	Frequency	Rated Current	Rated Power	Rated Speed	Air Flow	Air Pressure	Sound Level
Part No.	Type	B/S	VAC	Hz	A	W	IPM	M³/H	Pa	dB(A)
PK3N250B2E-T20	BE72EC	BALL	230	50/60	1.2	170	2750	1500	915	71

### EC Fan with Support Bracket 300x300x133.3mm

### EC Fan with Support Bracket 400x400x254.5mm

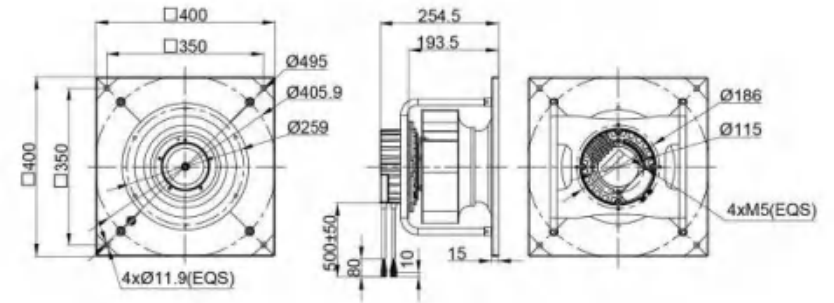
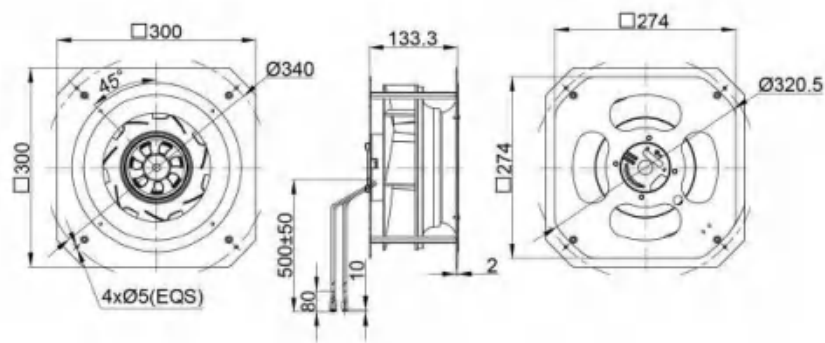
EC-AC-Series

EC-AC-Series



Motor Type BE BRUSHLESS EXTERNAL MOTOR MOTOR	Speed Control 0-10VDC/PWM	Protection Type IP55	Insulation Class B	Operating Temperature -25°C~+60°C	Weight 5.42KG	Wing Mode E2
---	------------------------------	-------------------------	-----------------------	--------------------------------------	------------------	-----------------

Motor Type BE BRUSHLESS EXTERNAL MOTOR MOTOR	Speed Control 0-10VDC/PWM	Protection Type IP55	Insulation Class F	Operating Temperature -25°C~+60°C	Weight 7.91KG	Wing Mode E3
---	------------------------------	-------------------------	-----------------------	--------------------------------------	------------------	-----------------



Model	Motor	Bearing System	Rated Voltage	Frequency	Rated Current	Rated Power	Rated Speed	Air Flow	Air Pressure	Sound Level
Part No.	Type	B/S	VAC	Hz	A	W	RPM	M³/H	Pa	dB(A)
PK3N250B2E-MZ0	BE92EC	BALL	230	50/60	1.6	220	3100	1600	750	72

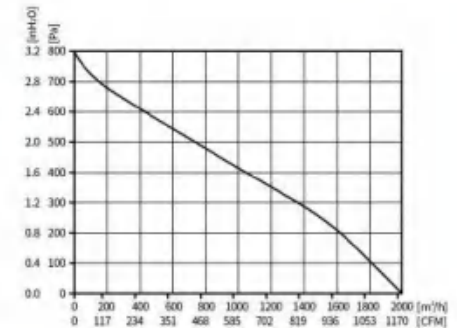
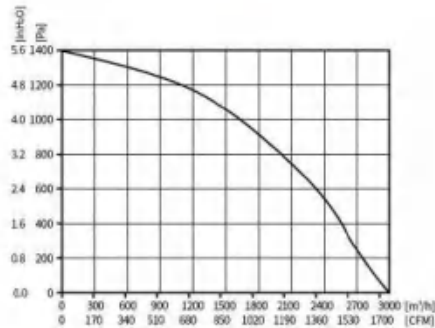
Model	Motor	Bearing System	Rated Voltage	Frequency	Rated Current	Rated Power	Rated Speed	Air Flow	Air Pressure	Sound Level
Part No.	Type	B/S	VAC	Hz	A	W	RPM	M³/H	Pa	dB(A)
PK3N250B2E-YZ5	BE102EC	BALL	230	50/60	2.5	550	3600	2750	1330	85

### EC Fan with Support Bracket 400x400x254.5mm

### EC Fan with Support Bracket 400x400x254.5mm

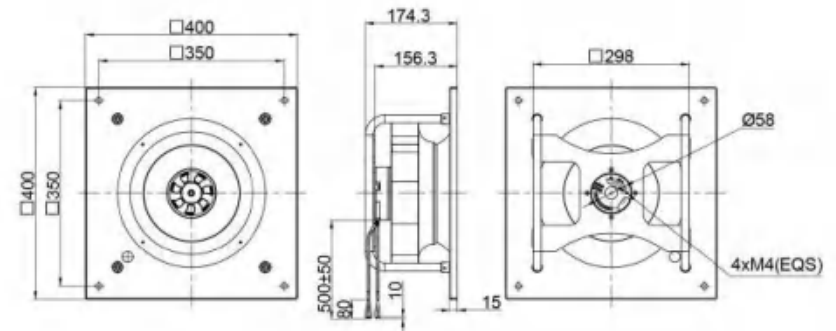
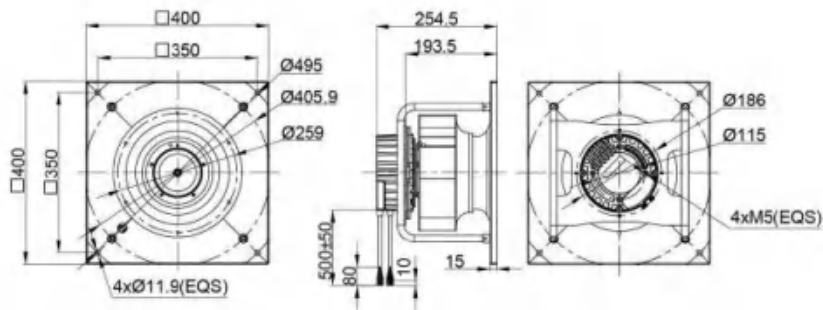
EC-AC-Series

EC-AC-Series



Motor Type BE BRUSHLESS EXTERNAL ROTOR MOTOR	Speed Control 0-10VDC/FWM	Protection Type IP55	Insulation Class F	Operating Temperature -25°C~+60°C	Weight 7.91KG	Wiring Mode E4
---	------------------------------	-------------------------	-----------------------	--------------------------------------	------------------	-------------------

Motor Type BE BRUSHLESS EXTERNAL ROTOR MOTOR	Speed Control 0-10VDC/FWM	Protection Type IP55	Insulation Class B	Operating Temperature -25°C~+60°C	Weight 5.67KG	Wiring Mode E2
---	------------------------------	-------------------------	-----------------------	--------------------------------------	------------------	-------------------



Model	Motor	Bearing System	Rated Voltage	Frequency	Rated Current	Rated Power	Rated Speed	Air Flow	Air Pressure	Sound Level
Part No.	Type	B/S	VAC	Hz	A	W	RPM	M³/H	Pa	dB(A)
PK3N250B4E-YZ5	BE102EC	BALL	380	50/60	1.17	750	4100	3000	1400	91

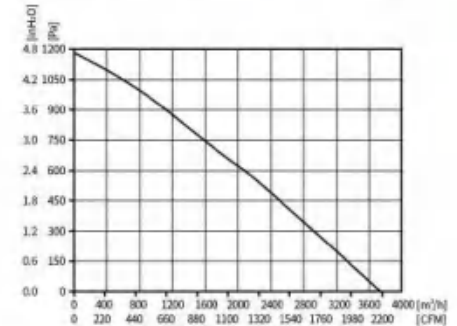
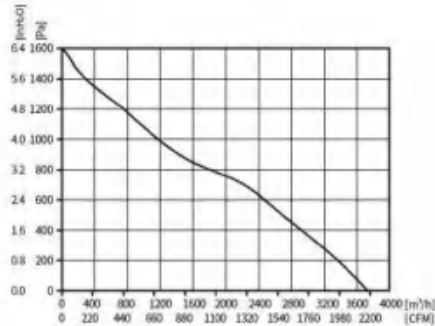
Model	Motor	Bearing System	Rated Voltage	Frequency	Rated Current	Rated Power	Rated Speed	Air Flow	Air Pressure	Sound Level
Part No.	Type	B/S	VAC	Hz	A	W	RPM	M³/H	Pa	dB(A)
PK3N280B2E-M20	BE02EC	BALL	230	50/60	1.5	210	2600	2000	800	70

### EC Fan with Support Bracket 400x400x274mm

### EC Fan with Support Bracket 400x400x274mm

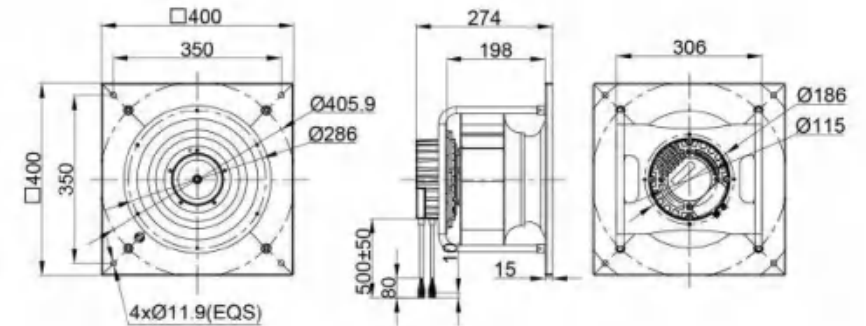
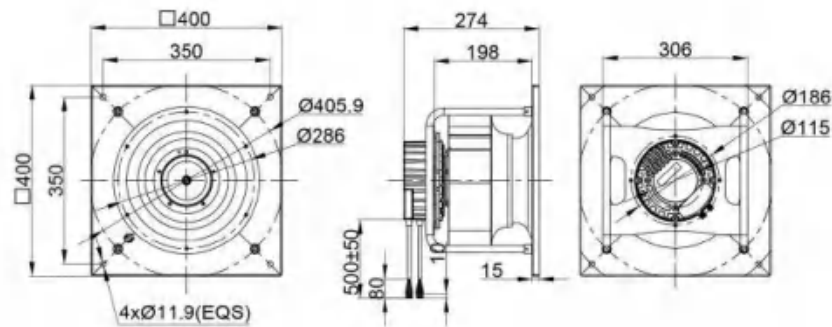
EC-AC-Series

EC-AC-Series



Motor Type BE BRUSHLESS EXTERNAL ROTOR MOTOR	Speed Control 3-10VDC/PWM	Protection Type IP55	Insulation Class F	Operating Temperature -25°C~+60°C	Weight 8.4KG	Wing Mode E3
---	------------------------------	-------------------------	-----------------------	--------------------------------------	-----------------	-----------------

Motor Type BE BRUSHLESS EXTERNAL ROTOR MOTOR	Speed Control 3-10VDC/PWM	Protection Type IP55	Insulation Class F	Operating Temperature -25°C~+60°C	Weight 8.4KG	Wing Mode E4
---	------------------------------	-------------------------	-----------------------	--------------------------------------	-----------------	-----------------



Model	Motor	Bearing System	Rated Voltage	Frequency	Rated Current	Rated Power	Rated Speed	Air Flow	Air Pressure	Sound Level
Part No.	Type	M/S	VAC	Hz	A	W	RPM	M³/H	Ta	dB(A)
PK3N280B2E-YZ5	BE102EC	BALL	230	50/60	3.1	700	3300	3720	1600	85

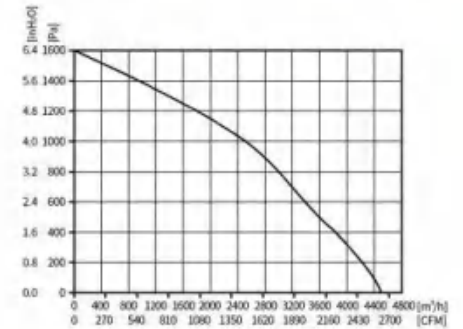
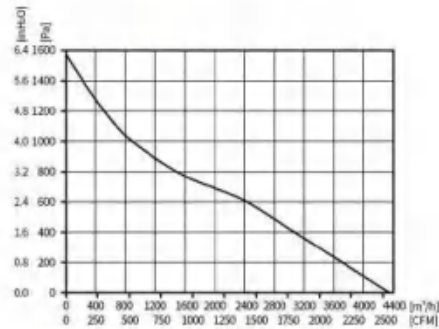
Model	Motor	Bearing System	Rated Voltage	Frequency	Rated Current	Rated Power	Rated Speed	Air Flow	Air Pressure	Sound Level
Part No.	Type	M/S	VAC	Hz	A	W	RPM	M³/H	Ta	dB(A)
PK3N280B4E-YZ5	BE102EC	BALL	380	50/60	1.26	800	3400	3700	1180	83

### EC Fan with Support Bracket 440x440x276.5mm

### EC Fan with Support Bracket 440x440x276.5mm

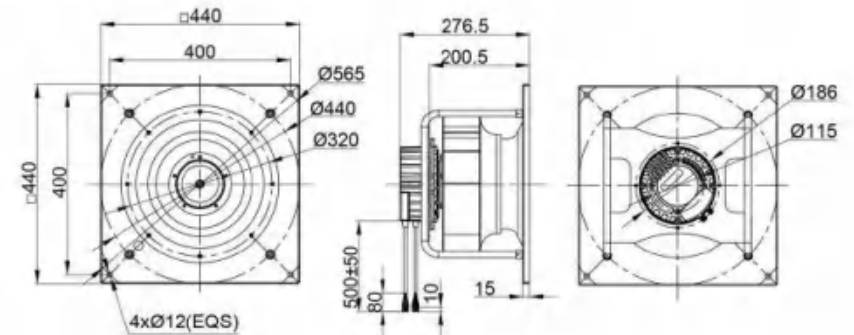
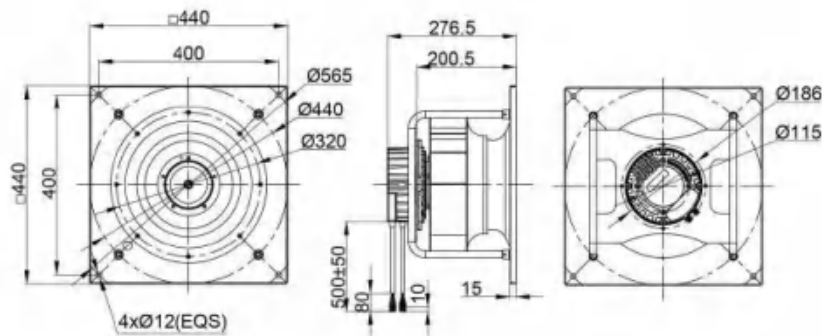
EC-AC Series

EC-AC Series



Motor Type BE BRUSHLESS EXTERNAL ROTOR MOTOR	Speed Control 3-TOVD/CFWM	Protection Type IP55	Insulation Class F	Operating Temperature -25°C~+60°C	Weight 7.91KG	Wiring Mode E3
--	------------------------------	-------------------------	-----------------------	--------------------------------------	------------------	-------------------

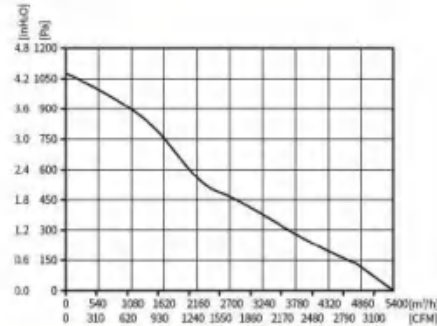
Motor Type BE BRUSHLESS EXTERNAL ROTOR MOTOR	Speed Control 3-TOVD/CFWM	Protection Type IP55	Insulation Class F	Operating Temperature -25°C~+60°C	Weight 7.91KG	Wiring Mode E4
--	------------------------------	-------------------------	-----------------------	--------------------------------------	------------------	-------------------



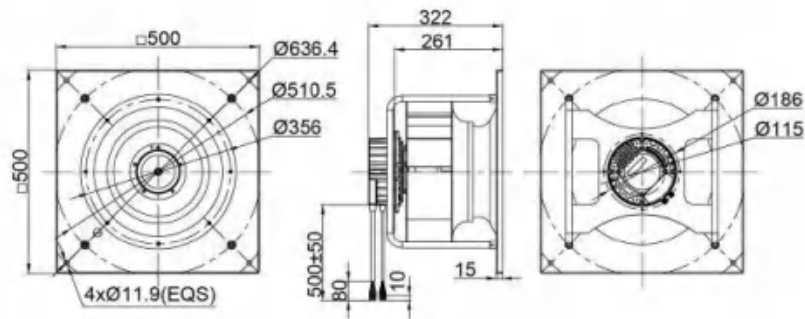
Model	Motor	Bearing System	Rated Voltage	Frequency	Rated Current	Rated Power	Rated Speed	Air Flow	Air Pressure	Sound Level
Part No.	Type	M/S	VAC	Hz	A	W	RPM	M³/H	Ta	dBA
PK3N310B2E-YZ5	BE102EC	BALL	230	50/60	3.1	700	2850	4380	1500	85

Model	Motor	Bearing System	Rated Voltage	Frequency	Rated Current	Rated Power	Rated Speed	Air Flow	Air Pressure	Sound Level
Part No.	Type	M/S	VAC	Hz	A	W	RPM	M³/H	Ta	dBA
PK3N310B4E-YZ5	BE102EC	BALL	380	50/60	1.2	1100	3000	4500	1600	87

### EC Fan with Support Bracket 500x500x322mm

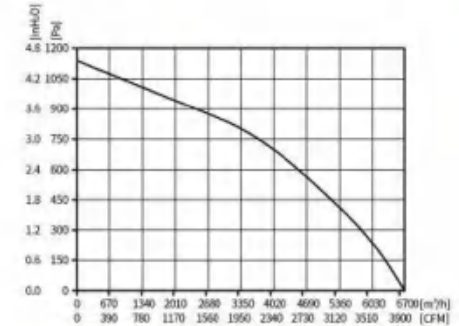


Motor Type BRUSHLESS EXTERNAL MOTOR	Speed Control 0-10VDC/PWM	Protection Type IP55	Insulation Class F	Operating Temperature -25°C~+60°C	Weight 9.44KG	Wing Mode E3
--	------------------------------	-------------------------	-----------------------	--------------------------------------	------------------	-----------------

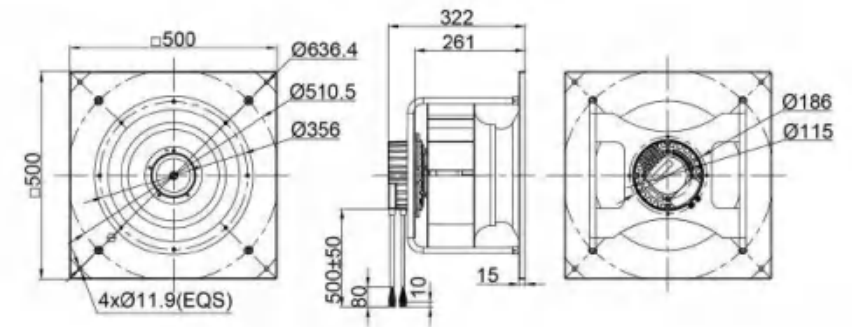


Model	Motor	Bearing System	Rated Voltage	Frequency	Rated Current	Rated Power	Rated Speed	Air Flow	Air Pressure	Sound Level
Part No.	Type	M/S	VAC	Hz	A	W	IPM	M³/H	Pa	dB(A)
PK3N355B2E-ZW5	BE102EC	BALL	230	50/60	3.0	700	2150	5400	1080	84

### EC Fan with Support Bracket 500x500x322mm



Motor Type BRUSHLESS EXTERNAL MOTOR	Speed Control 0-10VDC/PWM	Protection Type IP55	Insulation Class F	Operating Temperature -25°C~+60°C	Weight 7.91KG	Wing Mode E4
--	------------------------------	-------------------------	-----------------------	--------------------------------------	------------------	-----------------



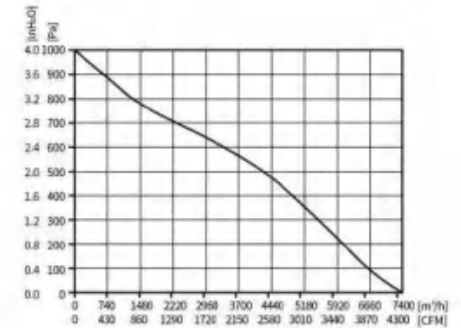
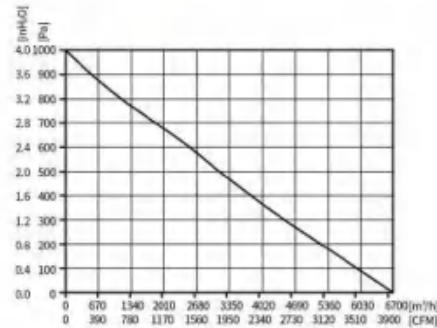
Model	Motor	Bearing System	Rated Voltage	Frequency	Rated Current	Rated Power	Rated Speed	Air Flow	Air Pressure	Sound Level
Part No.	Type	M/S	VAC	Hz	A	W	IPM	M³/H	Pa	dB(A)
PK3N355B4E-ZW5	BE102EC	BALL	380	50/60	1.8	1100	2500	6700	1150	86

### EC Fan with Support Bracket 500x500x350.5mm

### EC Fan with Support Bracket 500x500x350.5mm

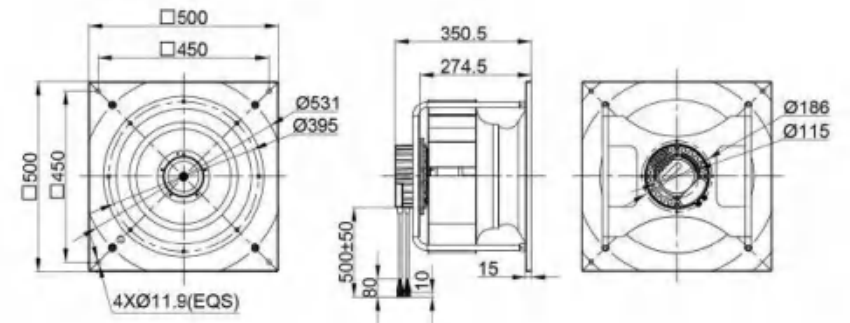
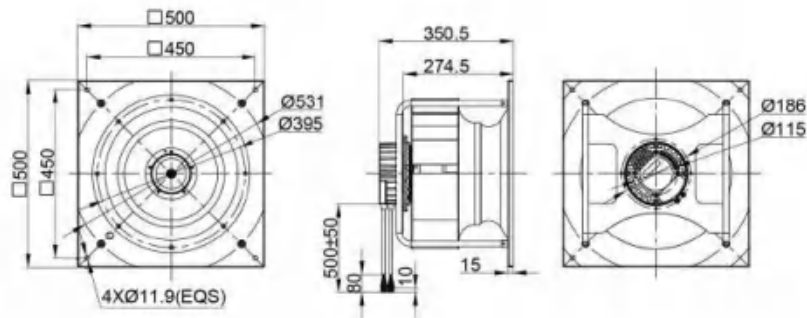
EC-AC-Series

EC-AC-Series



Motor Type BE BRUSHLESS EXTERNAL ROTOR MOTOR	Speed Control 3-10VDC/PWM	Protection Type IP55	Insulation Class F	Operating Temperature -25°C~+60°C	Weight 11.94KG	Wiring Mode E3
---	------------------------------	-------------------------	-----------------------	--------------------------------------	-------------------	-------------------

Motor Type BE BRUSHLESS EXTERNAL ROTOR MOTOR	Speed Control 3-10VDC/PWM	Protection Type IP5	Insulation Class F	Operating Temperature -25°C~+60°C	Weight 11.94KG	Wiring Mode E4
---	------------------------------	------------------------	-----------------------	--------------------------------------	-------------------	-------------------



Model	Motor	Bearing System	Rated Voltage	Frequency	Rated Current	Rated Power	Rated Speed	Air Flow	Air Pressure	Sound Level
Part No.	Type	B/S	VAC	Hz	A	W	RPM	M³/H	Pa	dB(A)
PK3N400B2E-ZW5	BE102EC	BALL	230	50/60	3.1	700	1750	6700	1000	83

Model	Motor	Bearing System	Rated Voltage	Frequency	Rated Current	Rated Power	Rated Speed	Air Flow	Air Pressure	Sound Level
Part No.	Type	B/S	VAC	Hz	A	W	RPM	M³/H	Pa	dB(A)
PK3N400B4E-ZW5	BE102EC	BALL	380	50/60	1.2	1300	2000	7400	1000	85

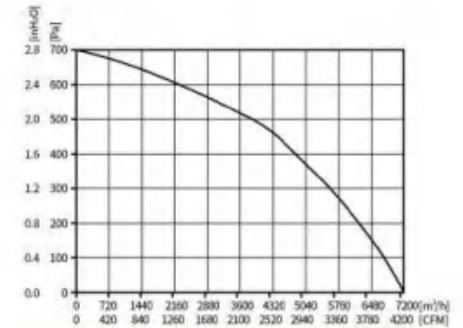
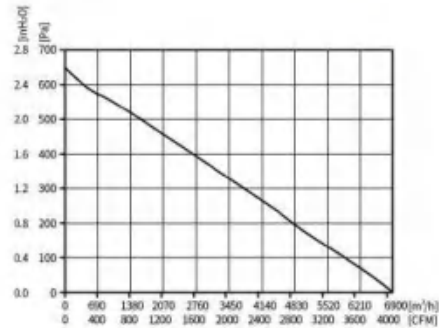


### EC Fan with Support Bracket 630x630x364.3mm

### EC Fan with Support Bracket 630x630x364.3mm

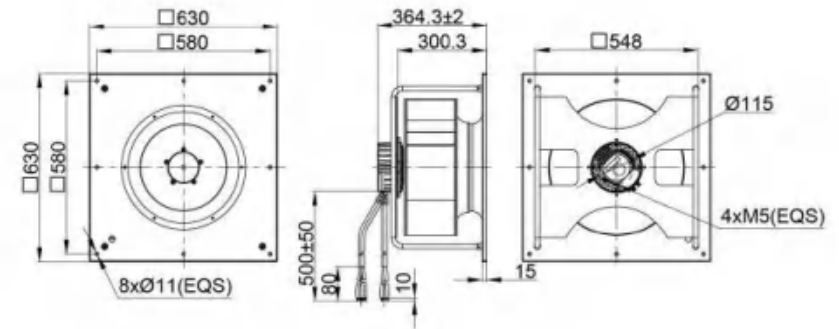
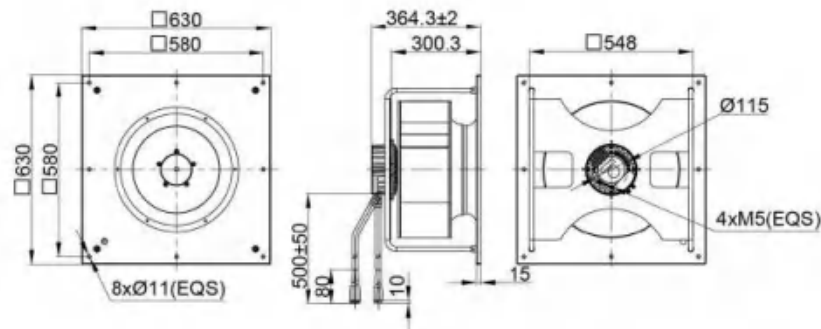
EC-AC-Series

EC-AC-Series



Motor Type EC BRUSHLESS EXTERNAL ROTOR MOTOR	Speed Control 0-10VDC/PWM	Protection Type IP55	Insulation Class F	Operating Temperature -25°C~+60°C	Weight 11.23KG	Wing Mode E3
---	------------------------------	-------------------------	-----------------------	--------------------------------------	-------------------	-----------------

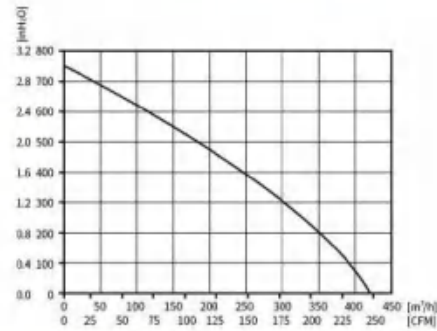
Motor Type EC BRUSHLESS EXTERNAL ROTOR MOTOR	Speed Control 0-10VDC/PWM	Protection Type IP5	Insulation Class F	Operating Temperature -25°C~+60°C	Weight 11.23KG	Wing Mode E4
---	------------------------------	------------------------	-----------------------	--------------------------------------	-------------------	-----------------



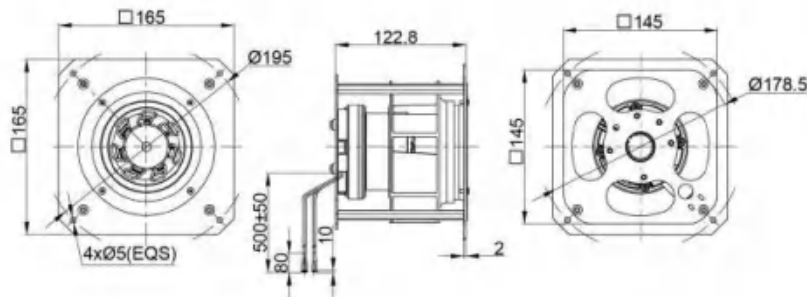
Model	Motor	Bearing System	Rated Voltage	Frequency	Rated Current	Rated Power	Rated Speed	Air Flow	Air Pressure	Sound Level
Part No.	Type	B/S	VAC	Hz	A	W	RPM	M³/H	Pa	dB(A)
PK3N450B2E-ZW5	BE102EC	BALL	230	50/60	3.2	700	1550	6900	650	80

Model	Motor	Bearing System	Rated Voltage	Frequency	Rated Current	Rated Power	Rated Speed	Air Flow	Air Pressure	Sound Level
Part No.	Type	B/S	VAC	Hz	A	W	RPM	M³/H	Pa	dB(A)
PK3N450B4E-ZW5	BE102EC	BALL	380	50/60	1.5	1000	1800	7200	700	83

### DC Fan with Support Bracket 165x165x122.8mm

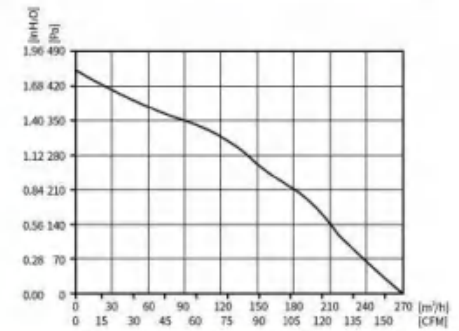


Motor Type	Speed Control	Protection Type	Insulation Class	Operating Temperature	Weight	Wiring Mode
DC BRUSHLESS EXTERNAL ROTOR MOTOR	0-10VDC/PWM	IP55	B	-25°C~+60°C	2.65KG	D1

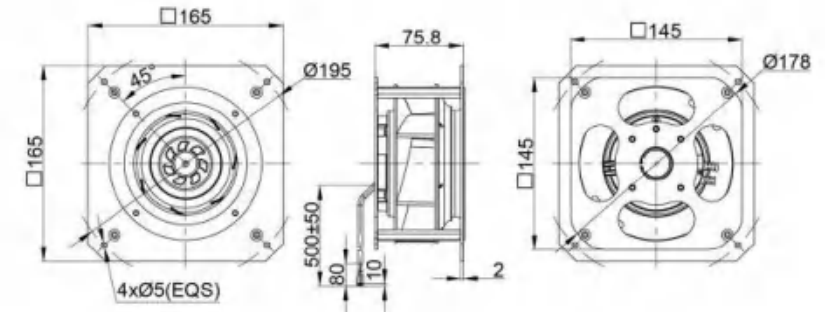


Model	Motor	Bearing System	Rated Voltage	Operating Voltage	Rated Current	Rated Power	Rated Speed	Air Flow	Air Pressure	Sound Level
Part No.	Type	I/S	VDC	VDC	A	W	RPM	M <sup>3</sup> /H	Pa	dB(A)
PK3N133B24-R80	BE72DC	BALL	24	16-28	2.1	50	5000	420	750	71
PK3N133B48-R80	BE72DC	BALL	48	36-57	1.05	50	5000	420	750	71

### DC Fan with Support Bracket 165x165x75.8mm



Motor Type	Speed Control	Protection Type	Insulation Class	Operating Temperature	Weight	Wiring Mode
DC BRUSHLESS EXTERNAL ROTOR MOTOR	0-10VDC/PWM	IP55	B	-25°C~+60°C	2.6KG	D1



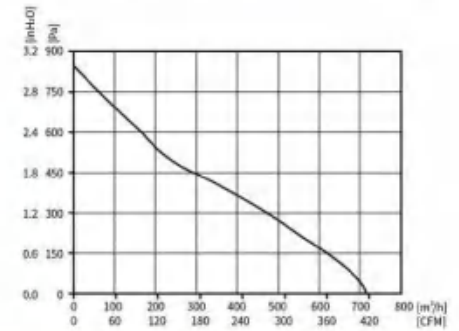
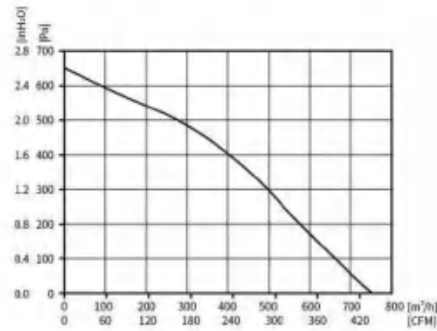
Model	Motor	Bearing System	Rated Voltage	Operating Voltage	Rated Current	Rated Power	Rated Speed	Air Flow	Air Pressure	Sound Level
Part No.	Type	I/S	VAC	VDC	A	W	RPM	M <sup>3</sup> /H	Pa	dB(A)
PK3N133B24-FZ5	BE59DC	BALL	24	16-28	1.4	33	4500	270	450	68
PK3N133B48-FZ5	BE59DC	BALL	48	36-57	0.7	33	4500	270	450	68

### DC Fan with Support Bracket 226x226x81.6mm

### DC Fan with Support Bracket 226x226x81.6mm

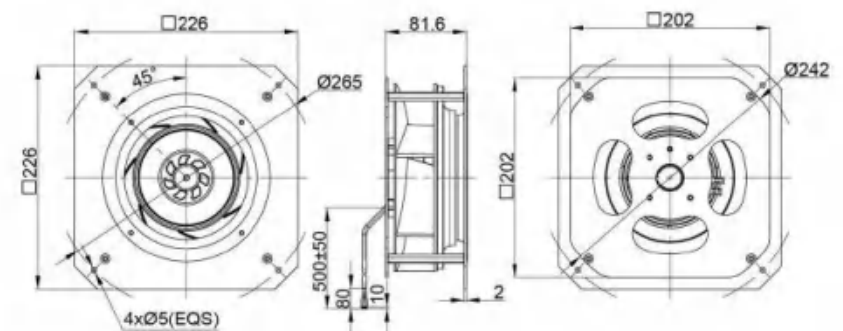
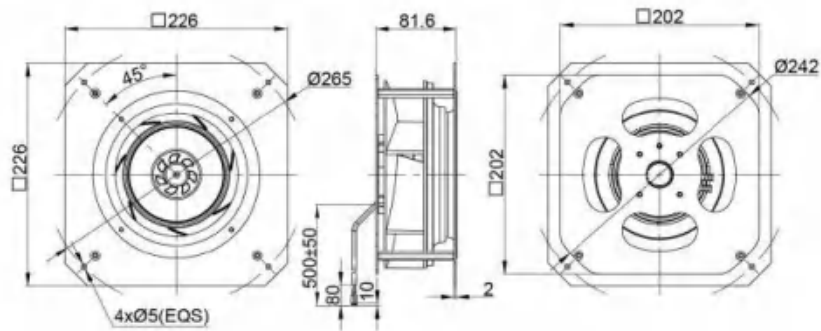
EC-DC Series

EC-DC Series



Motor Type	Speed Control	Protection Type	Insulation Class	Operating Temperature	Weight	Wiring Mode
DC BRUSHLESS EXTERNAL MOTOR MOTOR	0-10VDC/PWM	IP55	B	-25°C~+60°C	3.2KG	D1

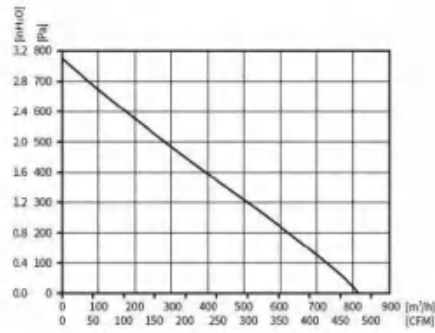
Motor Type	Speed Control	Protection Type	Insulation Class	Operating Temperature	Weight	Wiring Mode
DC BRUSHLESS EXTERNAL MOTOR MOTOR	0-10VDC/PWM	IP55	B	-25°C~+60°C	3.2KG	D1



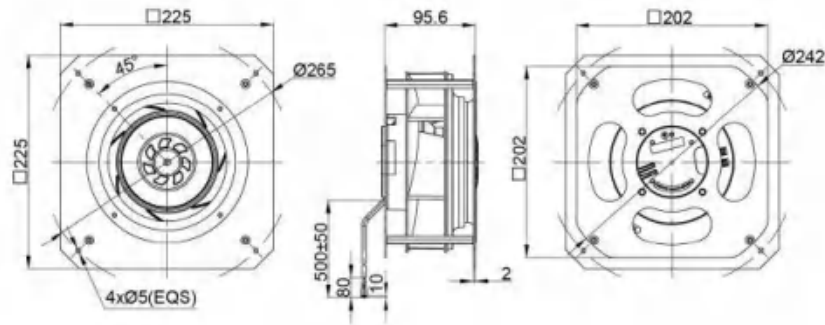
Model	Motor	Bearing System	Rated Voltage	Operating Voltage	Rated Current	Rated Power	Rated Speed	Air Flow	Air Pressure	Sound Level
Part No.	Type	I/S	VDC	VDC	A	W	RPM	M <sup>3</sup> /H	Pa	dB(A)
PK3N175B24-R20	BE72DC	BALL	24	16-28	3.6	85	4300	750	650	72
PK3N175B48-R20	BE72DC	BALL	48	36-57	1.8	85	4300	750	650	72

Model	Motor	Bearing System	Rated Voltage	Operating Voltage	Rated Current	Rated Power	Rated Speed	Air Flow	Air Pressure	Sound Level
Part No.	Type	I/S	VAC	VDC	A	W	RPM	M <sup>3</sup> /H	Pa	dB(A)
PK3N190B24-R20	BE72DC	BALL	24	16-28	3.6	85	3500	710	840	68
PK3N190B48-R20	BE72DC	BALL	48	36-57	1.8	85	3500	710	840	68

### DC Fan with Support Bracket 225x225x95.6mm

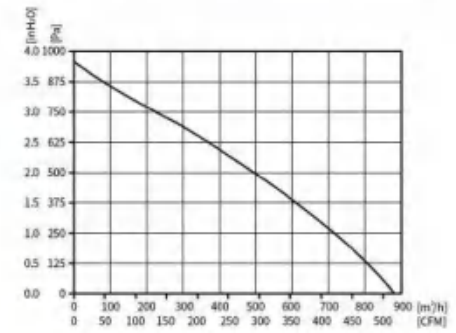


Motor Type	Speed Control	Protection Type	Insulation Class	Operating Temperature	Weight	Wiring Mode
DC BRUSHLESS EXTERNAL MOTOR	0-10VDC/PWM	IP55	B	-25°C ~ +60°C	3.8KG	D1

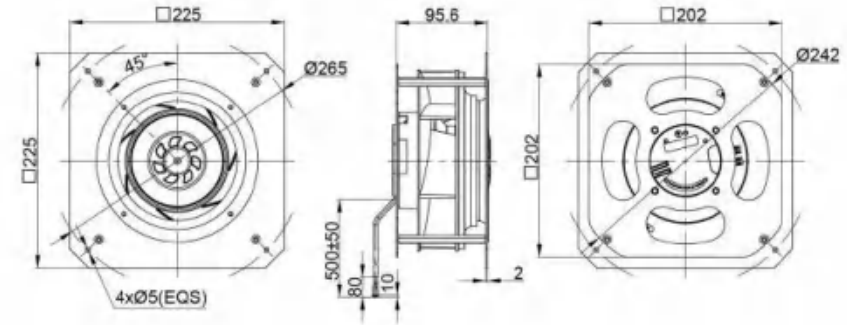


Model	Motor	Bearing System	Rated Voltage	Operating Voltage	Rated Current	Rated Power	Rated Speed	Air Flow	Air Pressure	Sound Level
Part No.	Type	I/S	VDC	VDC	A	W	RPM	M <sup>3</sup> /H	Pa	dBA
PK3N190B24-T20	BE72DC	BALL	24	16-28	5.0	120	4050	820	780	72
PK3N190B48-T20	BE72DC	BALL	48	36-57	2.5	120	4050	820	780	72

### DC Fan with Support Bracket 225x225x95.6mm

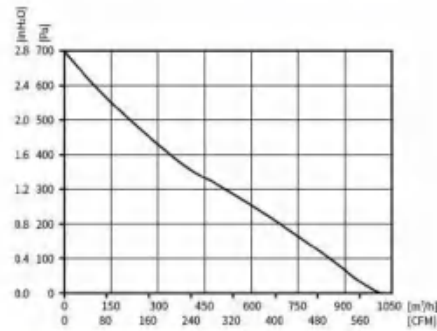


Motor Type	Speed Control	Protection Type	Insulation Class	Operating Temperature	Weight	Wiring Mode
DC BRUSHLESS EXTERNAL MOTOR	0-10VDC/PWM	IP55	B	-25°C ~ +60°C	3.2KG	D1

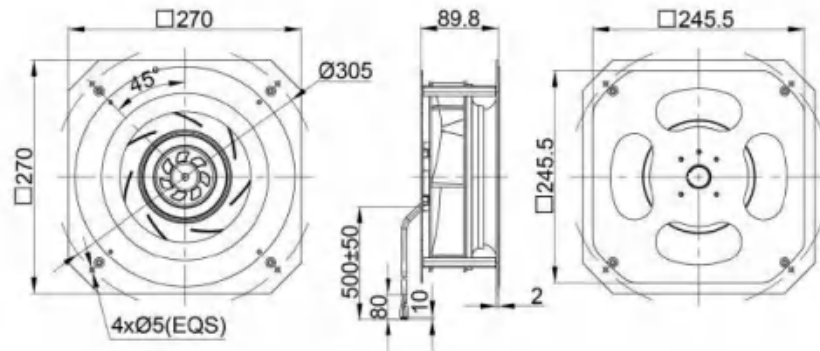


Model	Motor	Bearing System	Rated Voltage	Operating Voltage	Rated Current	Rated Power	Rated Speed	Air Flow	Air Pressure	Sound Level
Part No.	Type	I/S	VAC	VDC	A	W	RPM	M <sup>3</sup> /H	Pa	dBA
PK3N190B24-T21	BE72DC	BALL	24	16-28	6.4	153.6	4400	880	950	74
PK3N190B48-T21	BE72DC	BALL	48	36-57	3.2	153.6	4400	880	950	74

### DC Fan with Support Bracket 270x270x89.8mm

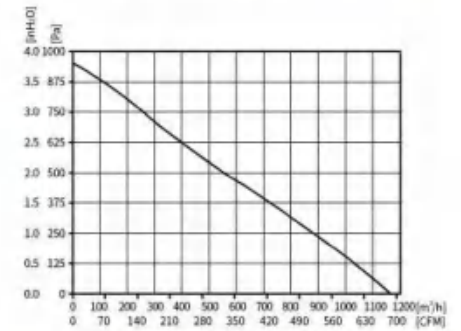


Motor Type	Speed Control	Protection Type	Insulation Class	Operating Temperature	Weight	Wiring Mode
DC BRUSHLESS EXTERNAL ROTOR MOTOR	0-10VDC/PWM	IP55	B	-25°C~+60°C	3.6KG	D1

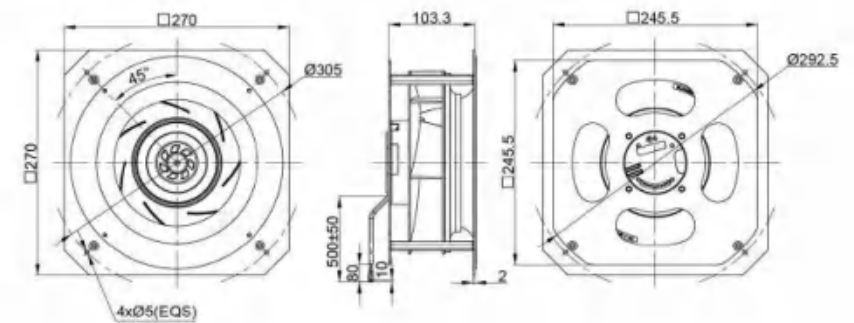


Model	Motor	Bearing System	Rated Voltage	Operating Voltage	Rated Current	Rated Power	Rated Speed	Air Flow	Air Pressure	Sound Level
Part No.	Type	I/S	VDC	VDC	A	W	RPM	M <sup>3</sup> /H	Pa	dB(A)
PK3N220B24-R20	BE72DC	BALL	24	16-28	3.4	85	2600	1010	700	71
PK3N220B48-R20	BE72DC	BALL	48	36-57	1.7	85	2600	1010	700	71

### DC Fan with Support Bracket 270x270x103.3mm

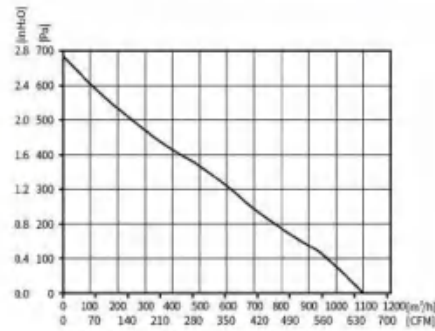


Motor Type	Speed Control	Protection Type	Insulation Class	Operating Temperature	Weight	Wiring Mode
DC BRUSHLESS EXTERNAL ROTOR MOTOR	0-10VDC/PWM	IP55	B	-25°C~+60°C	3.2KG	D1

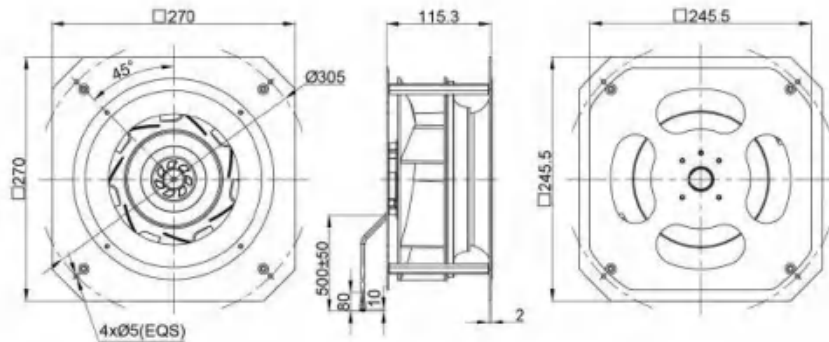


Model	Motor	Bearing System	Rated Voltage	Operating Voltage	Rated Current	Rated Power	Rated Speed	Air Flow	Air Pressure	Sound Level
Part No.	Type	I/S	VAC	VDC	A	W	RPM	M <sup>3</sup> /H	Pa	dB(A)
PK3N220B24-T20	BE72DC	BALL	24	16-28	7.6	182.4	3500	1165	950	72
PK3N220B48-T20	BE72DC	BALL	48	36-57	3.8	182.4	3500	1165	950	72

### DC Fan with Support Bracket 270x270x115.3mm

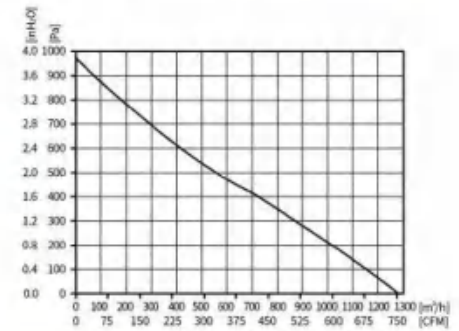


Motor Type	Speed Control	Protection Type	Insulation Class	Operating Temperature	Weight	Wiring Mode
DC BRUSHLESS EXTERNAL MOTOR	0-10VDC/PWM	IP55	B	-25°C~+60°C	3.5KG	D1

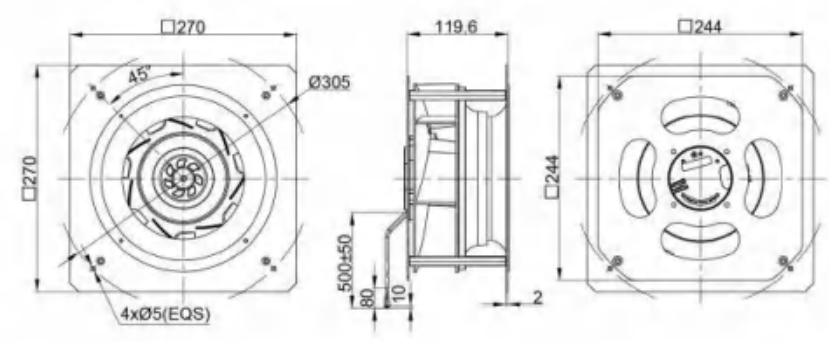


Model	Motor	Bearing System	Rated Voltage	Operating Voltage	Rated Current	Rated Power	Rated Speed	Air Flow	Air Pressure	Sound Level
Part No.	Type	I/S	VDC	VDC	A	W	RPM	M <sup>3</sup> /H	Pa	dB(A)
PK3N225B24-RG0	BE72DC	BALL	24	16-28	4.0	96	2400	1100	690	68
PK3N225B48-RG0	BE72DC	BALL	48	36-57	2.0	96	2400	1100	690	68

### DC Fan with Support Bracket 270x270x119.6mm

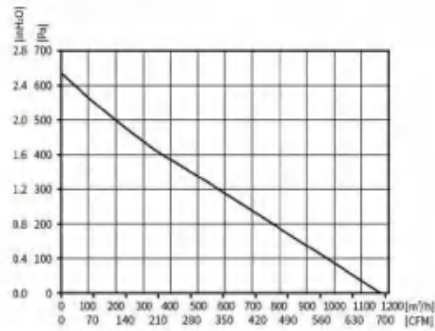


Motor Type	Speed Control	Protection Type	Insulation Class	Operating Temperature	Weight	Wiring Mode
DC BRUSHLESS EXTERNAL MOTOR	0-10VDC/PWM	IP55	B	-25°C~+60°C	4.4KG	D1

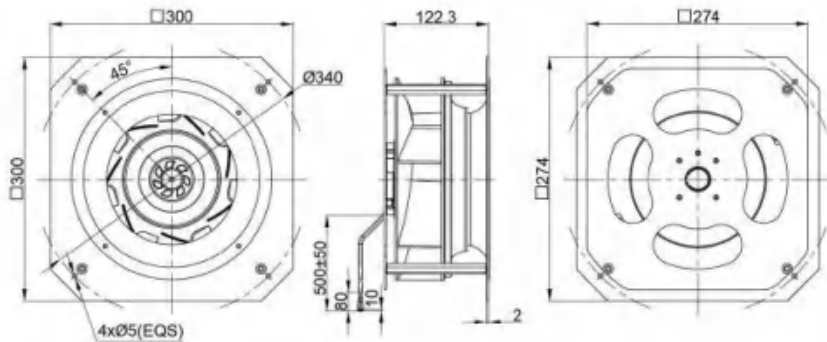


Model	Motor	Bearing System	Rated Voltage	Operating Voltage	Rated Current	Rated Power	Rated Speed	Air Flow	Air Pressure	Sound Level
Part No.	Type	I/S	VAC	VDC	A	W	RPM	M <sup>3</sup> /H	Pa	dB(A)
PK3N225B24-TG0	BE72DC	BALL	24	16-28	7.0	168	3000	1290	960	72
PK3N225B48-TG0	BE72DC	BALL	48	36-57	3.5	168	3000	1290	960	72

### DC Fan with Support Bracket 300x300x122.3mm

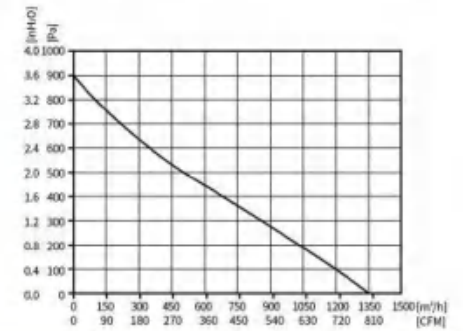


Motor Type	Speed Control	Protection Type	Insulation Class	Operating Temperature	Weight	Wiring Mode
DC BRUSHLESS EXTERNAL ROTOR MOTOR	3-10VDC/PWM	IP55	B	-25°C~+60°C	3.7KG	D1

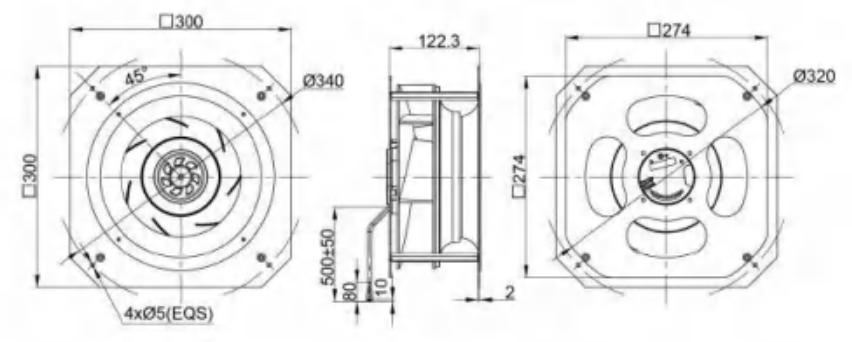


Model	Motor	Bearing System	Rated Voltage	Operating Voltage	Rated Current	Rated Power	Rated Speed	Air Flow	Air Pressure	Sound Level
Part No.	Type	I/S	VDC	VDC	A	W	RPM	M <sup>3</sup> /H	Pa	dB(A)
PK3N250B24-RZ0	BE72DC	BALL	24	16-28	3.6	86.4	2000	1170	630	68
PK3N250B48-RZ0	BE72DC	BALL	48	36-57	1.8	86.4	2000	1170	630	68

### DC Fan with Support Bracket 300x300x122.3mm



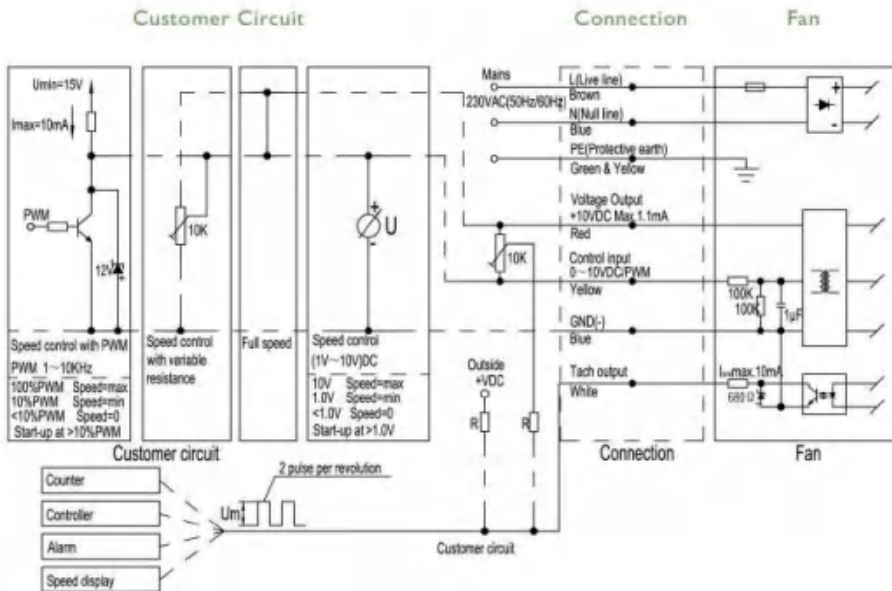
Motor Type	Speed Control	Protection Type	Insulation Class	Operating Temperature	Weight	Wiring Mode
DC BRUSHLESS EXTERNAL ROTOR MOTOR	0-10VDC/PWM	IP55	B	-25°C~+60°C	4.4KG	D1



Model	Motor	Bearing System	Rated Voltage	Operating Voltage	Rated Current	Rated Power	Rated Speed	Air Flow	Air Pressure	Sound Level
Part No.	Type	I/S	VAC	VDC	A	W	RPM	M <sup>3</sup> /H	Pa	dB(A)
PK3N250B24-TZ0	BE72DC	BALL	24	16-28	6.4	153.6	2700	1350	900	70
PK3N250B48-TZ0	BE72DC	BALL	48	36-57	3.2	153.6	2700	1350	900	70

# Wiring Diagram

IP55 EI-EC Motor 59/72 (Nominal voltage 115-230VAC)



Line1(AC)	Color	Assignment/Function
Brown	L(Live Line)	Mains 50/60 Hz phase
Blue	N(Null Line)	Mains 50/60 Hz neutral
Green & Yellow	PE(Protective Earth)	Protective Earth

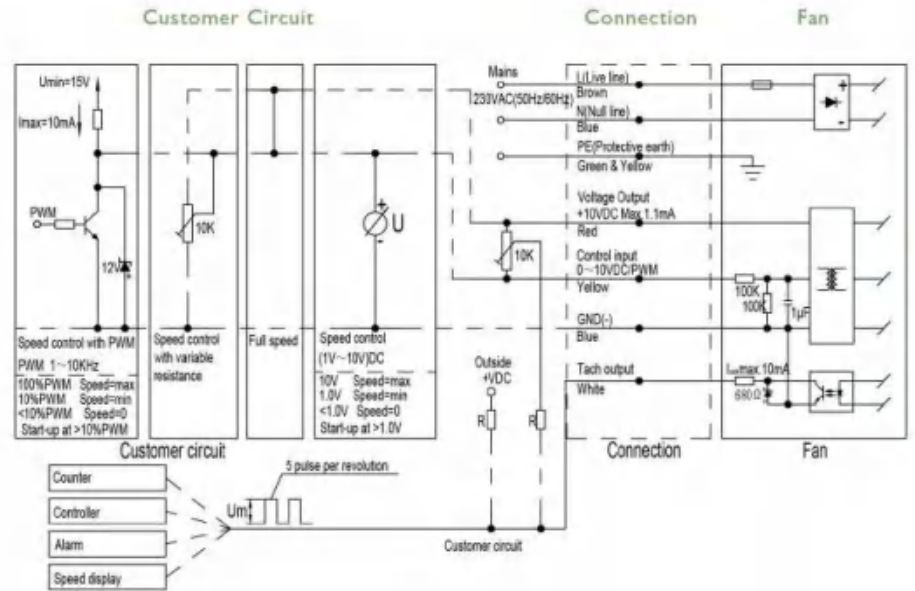
Line2(DC)	Color	Assignment/Function
Red	Voltage Output +10VDC	Voltage Output +10VDC max 1.1mA
Yellow	0-10VDC/PWM	Control Input
White	FG	Tach Output 12 puls per revolution
Blue	GND	GND

Signal	Color	Assignment/Function
L	Brown	Mains 50/60 Hz phase
N	Blue	Mains 50/60 Hz neutral
PE	Green & Yellow	Protective Earth

Signal	Color	Assignment/Function
+10VDC	Red	Voltage Output +10VDC max 1.1mA
0-10VDC/PWM	Yellow	Control Input
Tach Output	White	Tach Output 12 puls per revolution
GND	Blue	GND

# Wiring Diagram

IP55 I2-EC Motor 92 (Nominal voltage 115-230VAC)



Line1(AC)	Color	Assignment/Function
Brown	L(Live Line)	Mains 50/60 Hz phase
Blue	N(Null Line)	Mains 50/60 Hz neutral
Green & Yellow	PE(Protective Earth)	Protective Earth

Line2(DC)	Color	Assignment/Function
Red	Voltage Output +10VDC	Voltage Output +10VDC max 1.1mA
Yellow	0-10VDC/PWM	Control Input
White	FG	Tach Output 5 puls per revolution
Blue	GND	GND

Signal	Color	Assignment/Function
L	Brown	Mains 50/60 Hz phase
N	Blue	Mains 50/60 Hz neutral
PE	Green & Yellow	Protective Earth

Signal	Color	Assignment/Function
+10VDC	Red	Voltage Output +10VDC max 1.1mA
0-10VDC/PWM	Yellow	Control Input
Tach Output	White	Tach Output 5 puls per revolution
GND	Blue	GND

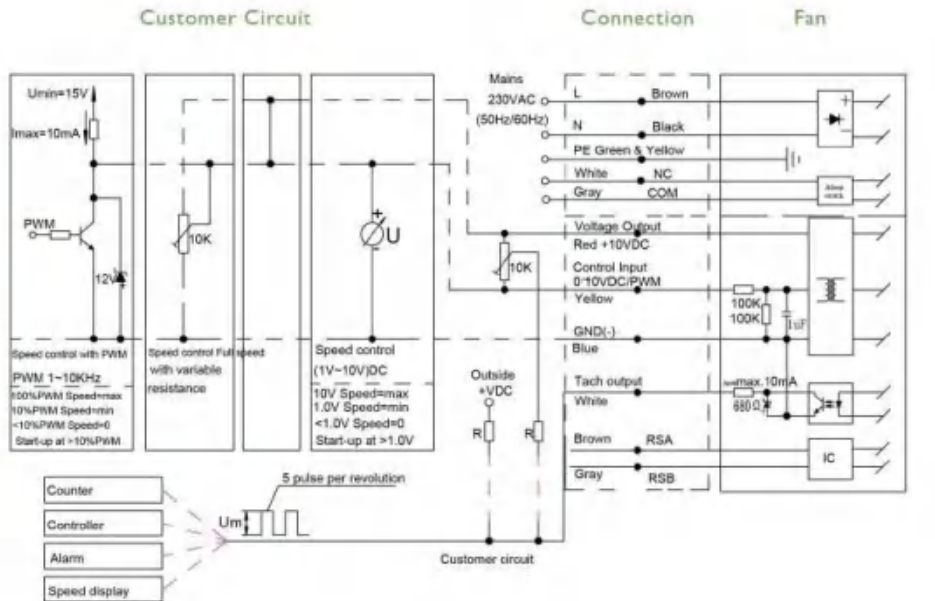
Wiring Diagrams

Wiring Diagrams



# Wiring Diagram

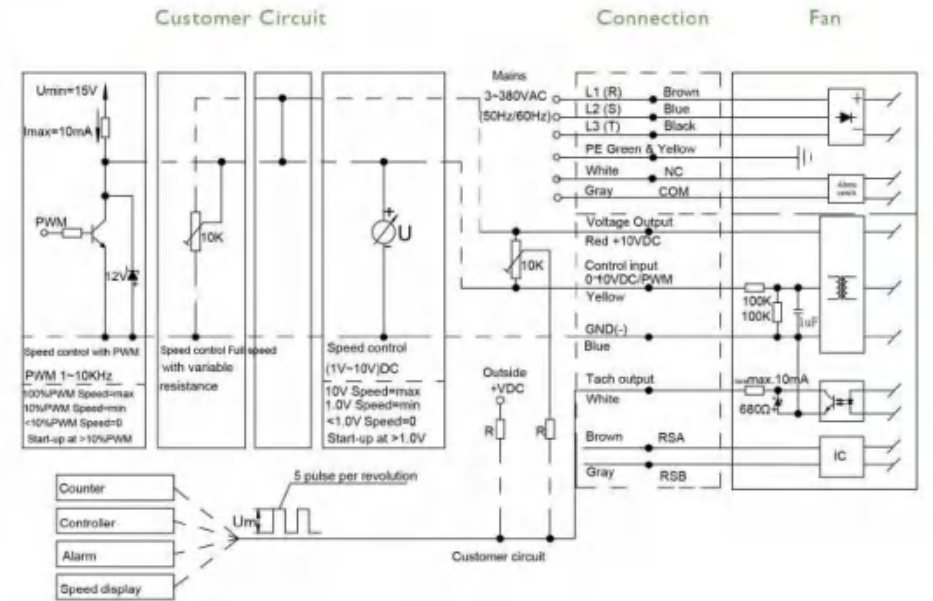
IP55 E3-EC Motor 102-230VAC-Modbus-Alarm



Signal	Color	Assignment/Function	Signal	Color	Assignment/Function
L	Brown	Mains 50/60 Hz.phase	+10VDC	Red	Voltage Output +10VDC max.1.1mA
N	Blue	Mains 50/60 Hz.neutral	0-10VDC/PWM	Yellow	Control Input
PE	Green & Yellow	Protective Earth	Tach Output	White	Tach Output:5 puls per revolution
NC	White	Alarm switch	GND	Blue	GND
COM	Gray	Alarm switch	RSA	Brown	Modbus-RS485A
			RSB	Gray	Modbus-RS485B

# Wiring Diagram

IP55 E4-EC Motor 102-380VAC-Modbus-Alarm



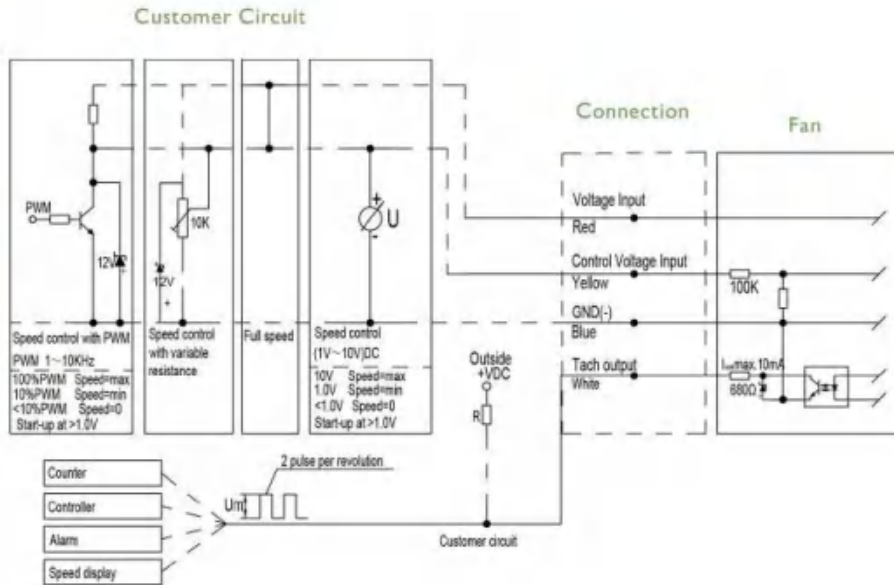
Signal	Color	Assignment/Function	Signal	Color	Assignment/Function
L1	Blue	Mains AC380V 50/60 Hz. R	+10VDC	Red	Voltage Output +10VDC max.1.1mA
L2	Brown	Mains AC380V 50/60 Hz. S	0-10VDC/PWM	Yellow	Control Input
L3	Black	Mains AC380V 50/60 Hz. T	Tach Output	White	Tach Output:5 puls per revolution
PE	Green & Yellow	Protective Earth	GND	Blue	GND
NC	White	Alarm switch	RSA	Brown	Modbus-RS485A
COM	Gray	Alarm switch	RSB	Gray	Modbus-RS485B

Wiring Diagrams

Wiring Diagrams

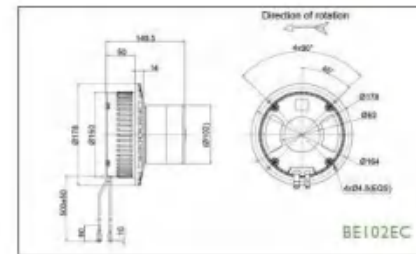
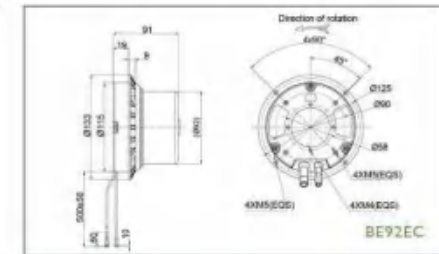
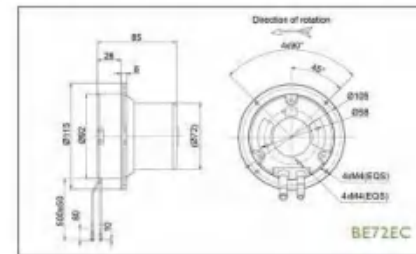
# Wiring Diagram

IP55 DI-DC Motor 72 (24,48,85,110,310VDC)



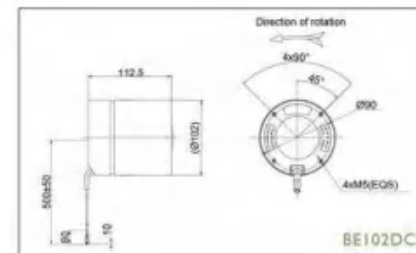
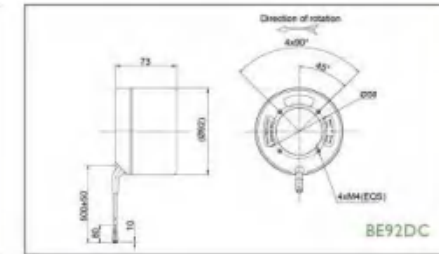
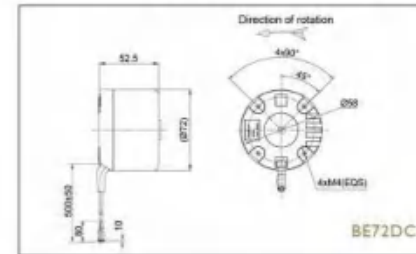
Signal	Color	Assignment/Function
Red = +	Red	Voltage Input
Yellow = 0-10VDC/PWM	Yellow	Control Input
White = FG	White	Tach output: 2 puls per revolution
Blue = GND	Blue	GND

## IP44 EC-AC Motor



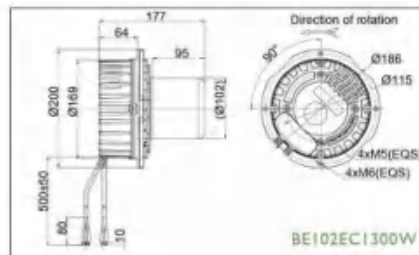
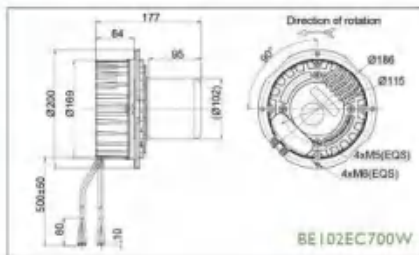
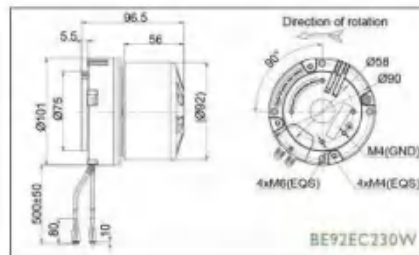
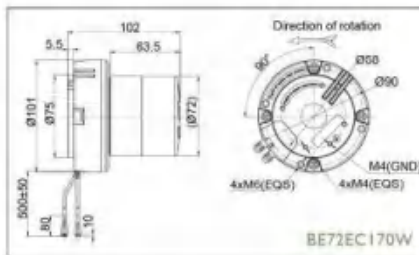
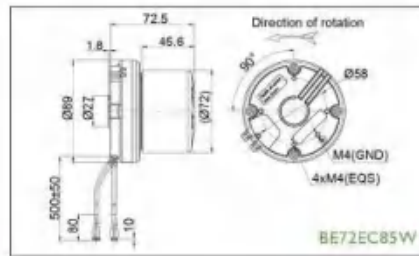
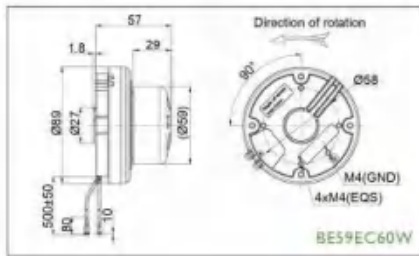
Motor	BE72EC120W	BE92EC230W	BE102EC600W
Voltage	230V	230V	230V
Frequency	50Hz	50Hz	50Hz
Current	1.0A	1.7A	4.3A
Power	120W	230W	600W
Speed	400-448RPM	400-3600RPM	400-3550RPM
Operating Temperature	-25°C ~ +60°C	-25°C ~ +60°C	-25°C ~ +60°C
Wiring Mode	E1	E2	E3

## IP44 EC-DC Motor



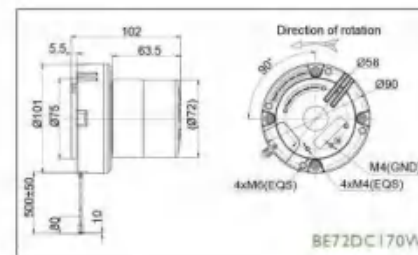
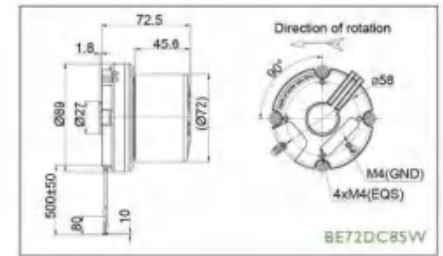
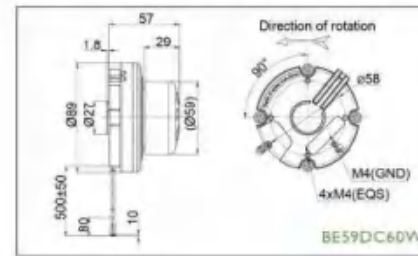
Motor	BE72DC120W	BE92DC230W	BE102DC480W
Voltage	48V	48V	48V
Current	2.5A	4.8A	10A
Power	120W	230W	480W
Speed	400-4450RPM	400-3300RPM	400-2200RPM
Operating Temperature	-25°C ~ +60°C	-25°C ~ +60°C	-25°C ~ +60°C
Wiring Mode	D1	D2	D3

## IP55 EC-AC Motor



Motor	BE59EC60W	BE72EC85W	BE72EC170W	BE92EC230W	BE102EC700W	BE102EC1300W
Voltage	230V	230V	230V	230V	230V	380V
Frequency	50/60Hz	50/60Hz	50/60Hz	50/60Hz	50/60Hz	50/60Hz
Current	0.47A	0.6A	1.1A	2.0A	3.5A	2.5A
Power	60W	85W	170W	230W	700W	1300W
Speed	400-445RPM	400-445RPM	400-445RPM	400-445RPM	400-445RPM	400-445RPM
Operating Temperature	-25°C-+40°C	-25°C-+60°C	-25°C-+60°C	-25°C-+60°C	-25°C-+60°C	-25°C-+60°C
Wiring Mode	E1	E1	E1	E2	E3	E4

## IP55 EC-DC Motor



Motor	BE59DC60W	BE72DC85W	BE72DC170W
Voltage	48V	48V	48V
Current	1.25A	1.77A	3.54A
Power	60W	85W	170W
Speed	400-445RPM	400-445RPM	400-445RPM
Operating Temperature	-25°C-+60°C	-25°C-+60°C	-25°C-+60°C
Wiring Mode	D1	D1	D1



Accessories

Accessories

# Fan Controller



### 1. Product Introduction

The fan controller is an external Modbus controller, which can realize single control and multiple centralized control. The controller has a built-in Mod-bus communication protocol to control the operation of the fan through the group control system. It is mostly used in FFU group control occasions.

### 2. The Main Function

The controller controls the fan speed through speed feedback, and uses the principle of speed closed-loop control to control the fan operation. Its main functions are:

- Control the start and stop and speed regulation of each fan through the host;
- Remote centralized control and fault diagnosis can be realized;
- Each control unit module has a settable ID address;
- The current speed and current ID number can be displayed;
- With alarm function.

### 3. Product Dimensions and Installation Requirements

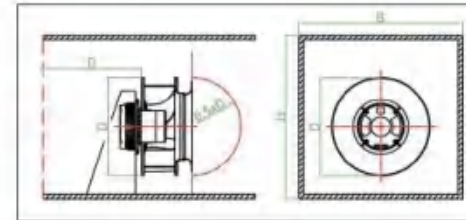
The controller is powered by the fan without external power supply, the controller is equipped with 2P and 4P quick connect terminals for connection, making the connection simpler and more convenient. The product is designed as a panel installation method, which is convenient for installation and construction. See the figure below for the opening size: 112mm x 57mm.

### 4. Product Application Areas

This product is mainly used in the field of FFU, which can make ordinary EC fans realize group control function, and can effectively solve the problem of group control of ordinary fans.

# Effects of installation space

When mounting our product in a rectangular box, air performance might be reduced.



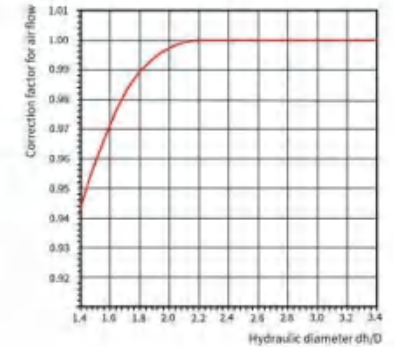
dh = Hydraulic diameter

Formula:  $dh = 2 \times B \times H / (B + H)$

B = Width of box

H = Height of box

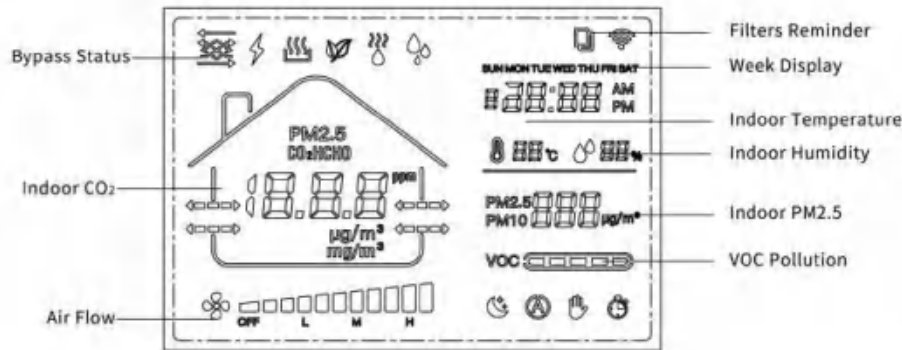
D = Outer diameter of the fan



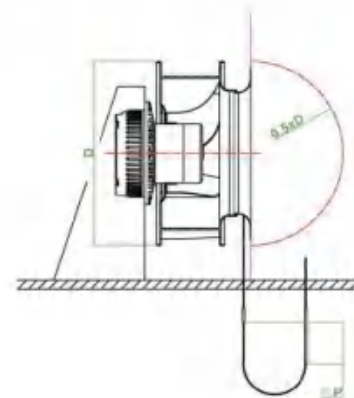
# PS2 intelligent multi-functional touch screen controller

### 1. General description

PS2-PM2.5/CO<sub>2</sub> controller adopts touch technology, which is flexible and convenient. There are sensors which can monitor the indoor temperature, humidity, PM2.5 and CO<sub>2</sub> concentration detection function. The output signal of controller can directly control the starting and RPM of the fresh air. It can be widely used in residential, commercial and industrial conditions, and effectively improve the air quality, create a healthy, comfortable, efficient, environmental protection and energy-saving living environment.



# Defining air flow rate for inlet rings with pressure relief



The differential pressure approach compares the static pressure before the inlet nozzle with the static pressure inside the inlet nozzle. Air flow can be calculated on the basis of the differential pressure (difference in pressure of the static pressures) in keeping with the following equation:

$$qv = k \cdot \sqrt{\Delta p} \quad qv \text{ in [m}^3/\text{h]} \text{ and } \Delta p \text{ in [Pa]}$$

If constant air flow is to be controlled, then the nozzle pressure has to be kept constant:

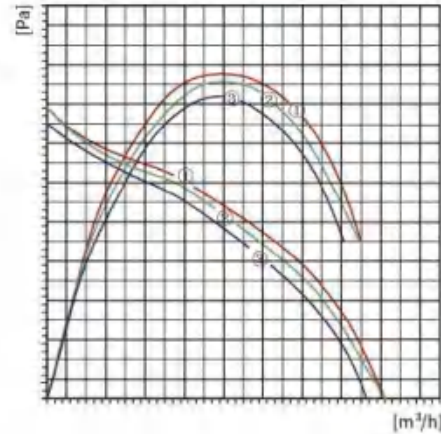
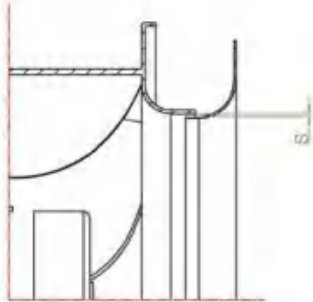
$$\Delta p = qv^2 : k^2$$

k takes into account the specific nozzle characteristics. Differences in static pressure are measured in 1/4 measuring point(s) along the circumference of the inlet nozzle. Connection on the customer side is accomplished via a pre-mounted T tube connector. This tube connector is suited for pneumatic hoses with an internal diameter of 4 mm.

## Effects of centrifugal air gap change

The centrifugal air gap between the inlet ring and the impeller cover affects centrifugal fan air flow and operation efficiency. Changes in the size of the inlet ring air gap affects the following curve:

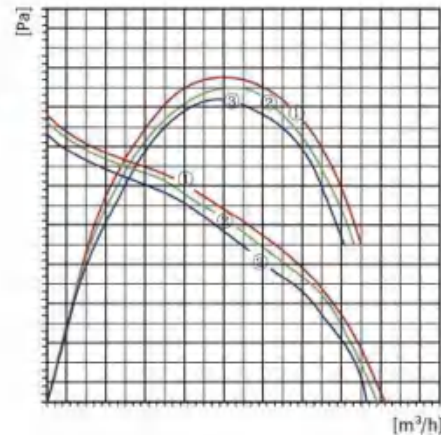
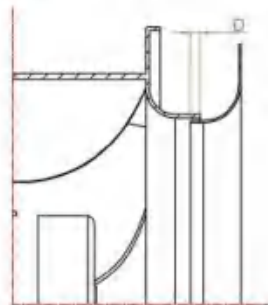
- ①:  $s/D = 0.4\%$
- ②:  $s/D = 1.0\%$
- ③:  $s/D = 1.4\%$



## Effects of overlapping dimension

The axial overlap between the inlet ring and the impeller cover affects centrifugal fan air flow and operation efficiency. Overlap changes affect the following curve:

- ①:  $x/D = 0.6\%$
- ②:  $x/D = 0\%$
- ③:  $x/D = -0.8\%$



## Precision Noise Measuring

### Measurement conditions for air and noise measurement

PBM products are measured under the following conditions:

- Axial and diagonal fans in direction of rotation "V" in full nozzle and without guard grille
- Backward curved centrifugal fans, free-running and with inlet nozzle
- Forward curved single and dual inlet centrifugal fans with housing

### Noise measurements

All noise measurements are carried out in low-reflective test rooms with reverberant floor. Thus the PBM acoustic test chambers meet the requirements of precision class 1 according to DIN EN ISO 3745. For noise measurement, the fans being tested are placed in a reverberant wall and operated at nominal voltage (for AC, also at nominal frequency) without additional attachments such as the guard grille.

### Sound pressure level and sound level

All acoustic values are established according to ISO 13347, DIN 45635 and ISO 3744/3745 to accuracy class 2 and given in A-rated form. When the sound pressure level ( $L_p$ ) is measured, the microphone is on the intake side of the fan being tested, usually at a distance of 1 m on the fan axis.

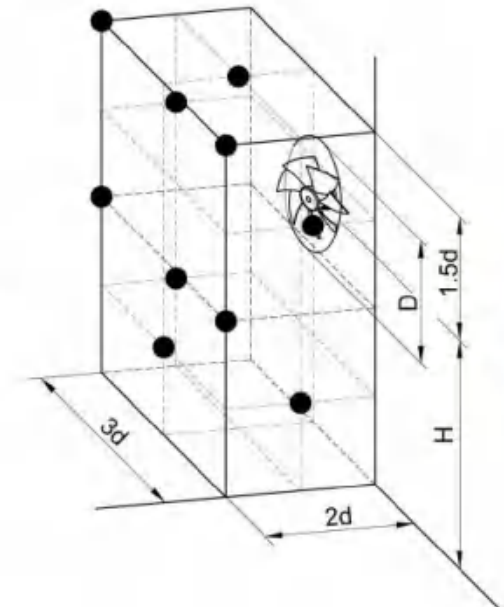
To measure the sound power level ( $L_w$ ), 10 microphones are distributed over an enveloping surface on the intake side of the fan being tested (see graphic). The sound power level measured can be roughly calculated from the sound pressure level by adding 7 dB.

Measuring configuration as per ISO 13347-3 respectively DIN 45635-38:10 measuring points

$$d \approx D$$

$$H = 1.5d \dots 4.5d$$

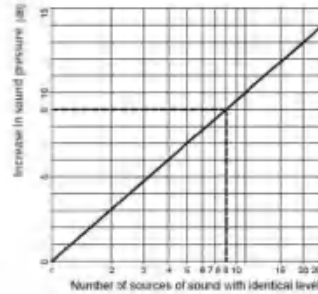
$$\text{Measurement area } S = 6d^2 + 7d(H + 1.5d)$$



### Combined level of multiple same-level sound sources

Adding 2 noise sources with the same level results in a level increase of approx. 3 dB. The noise characteristics of multiple identical fans can be determined in advance based on the noise values specified in the data sheet. This is shown in the diagram opposite.

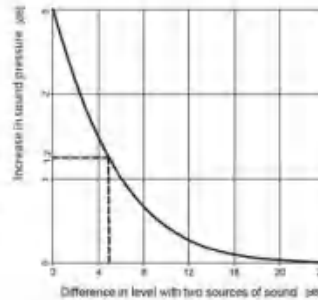
**Example:** 9 PCS PK3N190B2EM axial fans are on a condenser. According to the data sheet, the sound pressure level of a fan is approximately 72 dB(A). The level increase measured from the diagram is 9 dB. Thus the overall sound level of the installation can be expected to be 79 dB(A).



### Combined level of two different-level sound sources

The acoustic performance of two different fans can be predetermined based on the sound levels given in the data sheet. This is shown in the diagram opposite.

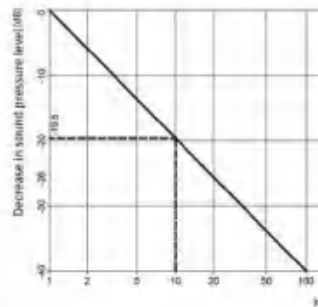
**Example:** There is an axial fan PK3N225B2EH with a sound pressure level of 71 dB(A) at the operating point and an axial fan PK3N220B2EH with 76 dB(A) in a ventilation unit. The level difference is 5 dB. The level increase can now be read in the diagram as approx. 1.2 dB. This means that the overall sound level of the unit can be expected to be 77.2 dB(A).



### Distance laws

Sound power level is independent from distance to the sound source. In contrast to this, sound pressure level decreases the further away the noise source is. The adjacent diagram shows the decrease in level under far sound field conditions. Far sound field conditions apply whenever the distance between microphone and fan is big when compared to fan diameter and wavelength to be considered. For more information on far sound field, please consult the relevant literature on this complex topic. Per doubling of distance, the level in the far sound field decreases by 6 dB. In the near field of the fan, other correlations apply and the decrease in levels can be considerably smaller. The following example only applies to far sound field conditions and can vary strongly depending on the installation effects.

**Example:** An axial fan PK3N225B2EM, a sound pressure level of 66 dB(A) was measured at a distance of 1 m. According to the adjacent diagram, at a distance of 10 m we would get a reduction by 18.5 dB, i.e. a sound pressure level of 47.5 dB(A).



## How to Choose Fans Correctly

All need to use is the electrical machinery and electronic products project engineer which the ventilator radiates, a specific system that radiates the needed amount of air flow is a must, the amount of air flow is decided by the understanding system power consumption and the ability of carrying off the enough quantity of heat. Try to prevent the system superheat situation. The fact demonstrated that the system service life can be reduced as a result of the cooling system insufficiency, therefore project engineer also should understand system sales volume and price, possibly because the system service life symbol user did not anticipate drops. If you'd like to choose the correct well ventilated module, the following goals need to be considered:

- Best air transport efficiency
- Smallest suitable size
- Lowest noise
- Smallest power consumption
- Biggest margin of safety and service life
- Reasonable total cost

So following three steps to correctly choose radiation fan or the drum ventilator, help you achieve the above goals:

Total cooling demand, first must understand three key aspects by obtaining the cooling demand the quantity of heat that must be transformed (temperature DT). Counterbalance transformation quantity of heat wattage(W). The detachment quantity of heat needs amount of wind(CFM).

The total cooling demand regarding of system operating effectively is really important. The effective system operation must provide the Ideal operation condition, enables in all systems the module to display the biggest function and the longest service life.

The following available ways are generally used when choosing the ventilator motor:

- Figures out quantity of heat which the equipment interior produces
- Decided the equipment interior can permit temperature rise scope
- Amount of air flow needs which from the equation computation
- If the known system equipment interior heat dissipating capacity and the permission total temperature rise quantity, may obtain the amount of wind which is for the cooling equipment needs.

Following into basic hot transformation equation:

$$H = Cp \times W \times \Delta T$$

in which: H = Hot transformation quantity

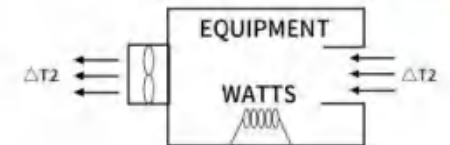
Cp = Air specific heat

$\Delta T$  = In the equipment rises temperature

W = Air flow weight

We know (W = CFM x D) in which D = is mad the density after the substitution, We obtain, Conversion factors With the substitution sea level air specific heat and the density, may obtain following radiation equation:

$$CFM = 3160 \times KW / \Delta T$$



Eg(a): The equipment internal consumption electric power is 500W, the temperature difference is 20 degrees Fahrenheit, please see the computed result below:

$$Q = \frac{3.16 \times 500(W)}{20} = 79CFM \quad \text{or} \quad Q = \frac{0.09 \times 500(W)}{20} = 2.25m^3/Min$$

(b) The equipment internal consumption electric power is 500W, the temperature difference is 10 degrees centigrade:

$$Q = \frac{1.76 \times 500(W)}{20} = 88CFM \quad \text{or} \quad Q = \frac{0.05 \times 500(W)}{20} = 2.5m^3/Min$$

**Amount of Wind Conversion Table**

CMS	CMM	L/s	L/min	CMH	CFS	CFM
m <sup>2</sup> /s	m <sup>3</sup> /min	L/s	L/min	m <sup>3</sup> /h	ft <sup>3</sup> /s	ft <sup>3</sup> /min
1	60	1x10 <sup>3</sup>	6x10 <sup>4</sup>	3.6x10 <sup>3</sup>	35.30	2.118x10 <sup>3</sup>
0.0167	1	460	1x10 <sup>7</sup>	60	0.5885	35.30
0.001	0.06	1	60	3.60	0.0353	2.12
1.67x10 <sup>-4</sup>	0.001	0.0167	1	0.06	5.88x10 <sup>-4</sup>	0.0353
2.77x10 <sup>-4</sup>	0.0167	0.277	16.7	1	9.81x10 <sup>-3</sup>	0.5885
0.0283	1.698	460	1.69x10 <sup>3</sup>	101.9	1	60
4.7x10 <sup>-4</sup>	0.0283	0.47	28.3	1.698	0.0167	1

**Static pressure conversion table**

Pa	Bar	Torr	kgf/cm <sup>2</sup>	mmH <sub>2</sub> O	inHg	psi
N/m <sup>2</sup>	bar	mmHg	kgf/cm <sup>2</sup>	mmH <sub>2</sub> O	inHg	lb/in <sup>2</sup>
1	1x10 <sup>-5</sup>	7.501x10 <sup>-3</sup>	1.02x10 <sup>-5</sup>	0.1021	2.953x10 <sup>-4</sup>	1.45x10 <sup>-4</sup>
1x10 <sup>5</sup>	1	750.10	1.02	1.02x10 <sup>4</sup>	29.53	14.50
133.30	1.33x10 <sup>-3</sup>	1	1.359x10 <sup>-3</sup>	13.61	0.03937	0.01934
9.807x10 <sup>4</sup>	0.9807	735.5	1	1.001x10 <sup>4</sup>	28.96	14.22
9.807	9.807x10 <sup>-5</sup>	0.07348	9.96x10 <sup>-4</sup>	1	2.89x10 <sup>-3</sup>	1.42x10 <sup>-3</sup>
3.386x10 <sup>3</sup>	0.03386	25.4	0.03453	345.6	1	0.4912
6.895x10 <sup>3</sup>	1.013	760	1.033	1.034x10 <sup>4</sup>	29.92	14.7

The following available ways are generally used when choosing the ventilator motor:

- Figures out quantity of heat which the equipment interior produces
- Decided the equipment interior can permit temperature rise scope
- Amount of air flow needs which from the equation computation
- If the known system equipment interior heat dissipating capacity and the permission total temperature rise quantity, may obtain the amount of air flow which is for the cooling equipment needs.

**Fan Selection Guide**



In order to provide you with more considerate fan selection and technical solution services, please provide your demand information in the following table as much as possible:

Note: The Red * marked is required.		Date	
Project Name		* Client Name	
* Applied to Which Products or Industries		Special Working Conditions to be Reminded	
Fan Mounting Space Size (LxWxH)	mm	Motor Type	
* Blade Type and Materials		* Impeller Size (LxWxH)	mm

Is it possible to provide 《Fan Technical Requirements List 》 or replaced fan specification or replaced fan brand & model number?

Fan's Key Technical Requirements	Key Parameters	P/Q	Replaced Fan Brand	Replaced Fan Model Number	Photo of Replaced Fan Name Plate

**Key Technical Parameter Information For Fan Selection**

* Rated Voltage (V)		Max. Current (A)		Frequency (HZ)	
Rated Power(W)		Motor Output Power (W)		Bearing Type	
* Max. Airflow (M <sup>3</sup> /H)		* Max. Air Pressure (Pa)		* Speed (RPM)	
Operation Point's Air Flow & Air Pressure		Max. Operating Temperature (°C)		Rotation or Air Flow Direction	
* Expected Sound Level (dBA)		Water and Dust Protection Class (IPXX)		Isulation Class	
Motor Operating Protections		Speed Control Type		Certificates	
Operating Voltage Range (V)		Wire Length and Connector Requirements		Wiring Mode	
Fan Efficiency (η)		Motor Efficiency (η)		Fan Operation Control	

**Key Commercial Requirements**

Total Quantity Demand		Quantity and Date for the First Order	
Quantity of Sample		Sample Demand Time	
Packing Demand		Type of Shipping	
* Recipient's Name and Mobile Number		* Detail Receiving Address	

Client's Other Requirements:

Such as: non-standard fan size (mm), special installation requirements, special working and operating environment, etc