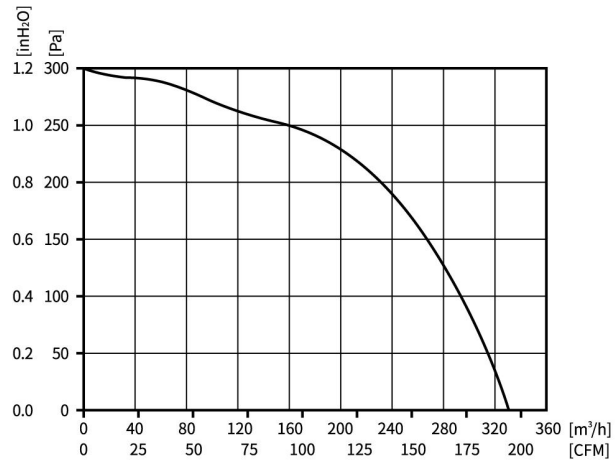
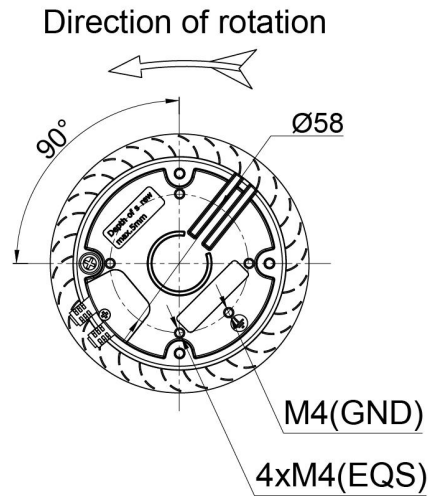
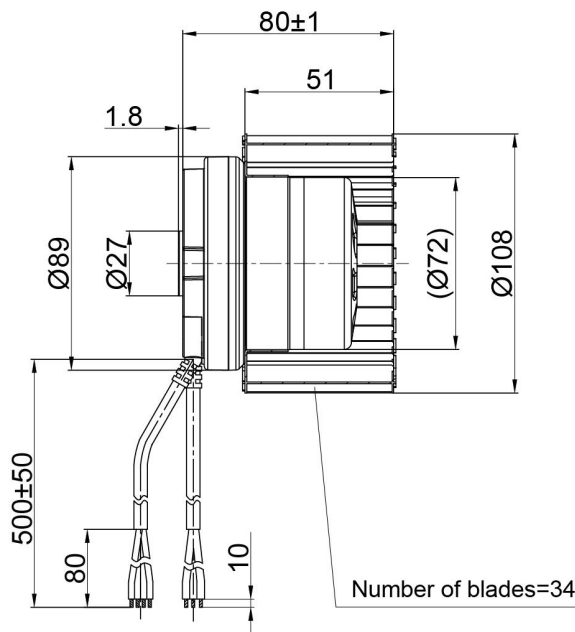


EC Centrifugal Fan Forward Curved Ø108x80mm



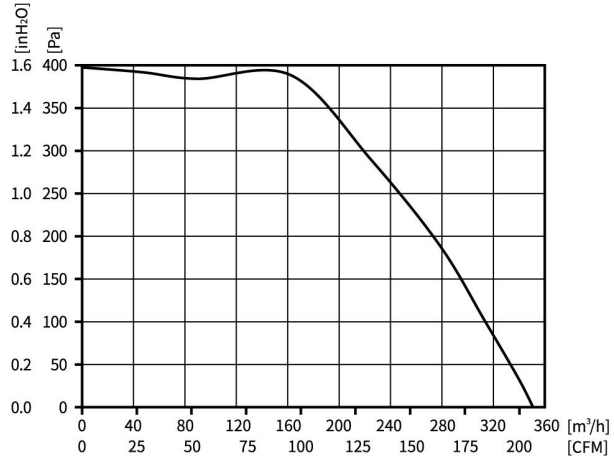
Forward Curved Centrifugal Fans

Motor Type EC BRUSHLESS EXTERNAL ROTOR MOTOR	Speed Control 0-10VDC/PWM	Protection Type IP55	Insulation Class B	Operating Temperature -25°C ~ +60°C	Weight 0.8KG	Wiring Mode E1
---	------------------------------	-------------------------	-----------------------	--	-----------------	-------------------

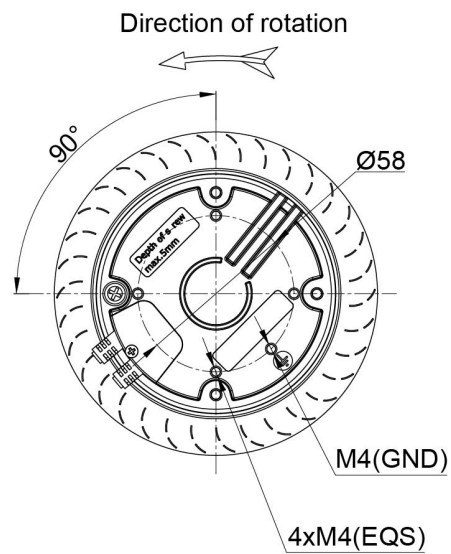
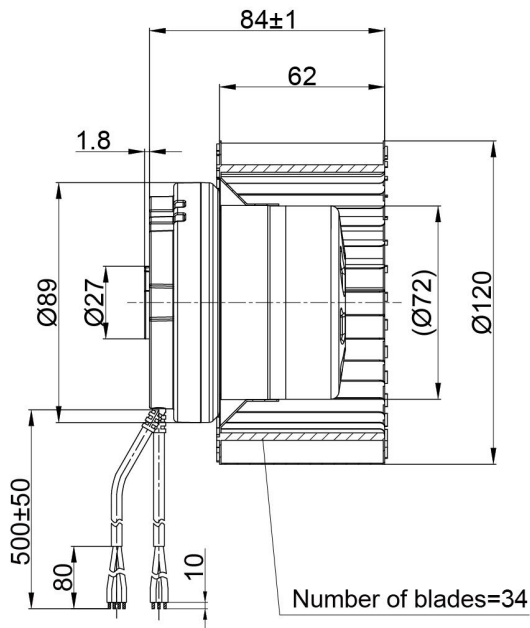


Model	Motor	Bearing System	Rated Voltage	Frequency	Rated Current	Rated Power	Rated Speed	Air Flow	Air Pressure	Sound Level
Part No.	Type	B/S	VAC	Hz	A	W	RPM	M ³ /H	Pa	dB(A)
PF3N108B2E-RZ0	BE72EC	BALL	230	50/60	0.3	38	3400	330	300	57

EC Centrifugal Fan Forward Curved Ø120x84mm



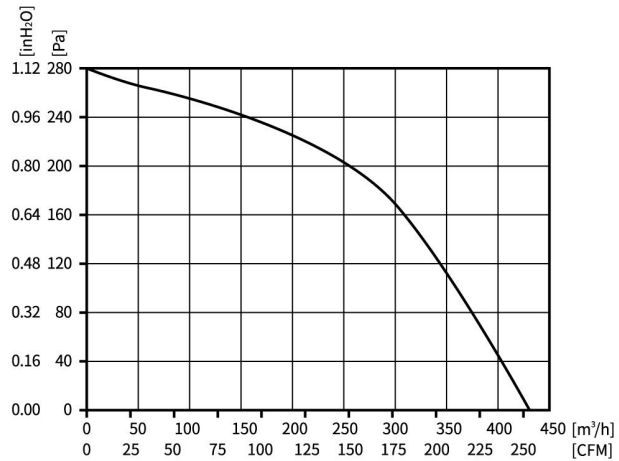
Motor Type EC BRUSHLESS EXTERNAL ROTOR MOTOR	Speed Control 0-10VDC/PWM	Protection Type IP55	Insulation Class B	Operating Temperature -25°C ~ +60°C	Weight 1.05KG	Wiring Mode E1
---	------------------------------	-------------------------	-----------------------	--	------------------	-------------------



Forward Curved
Centrifugal Fans

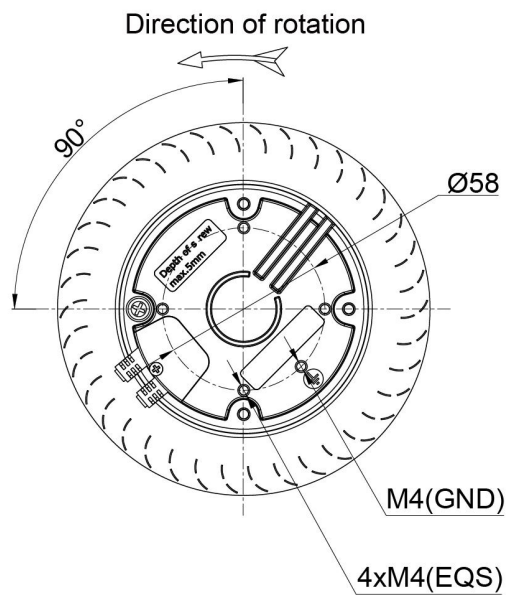
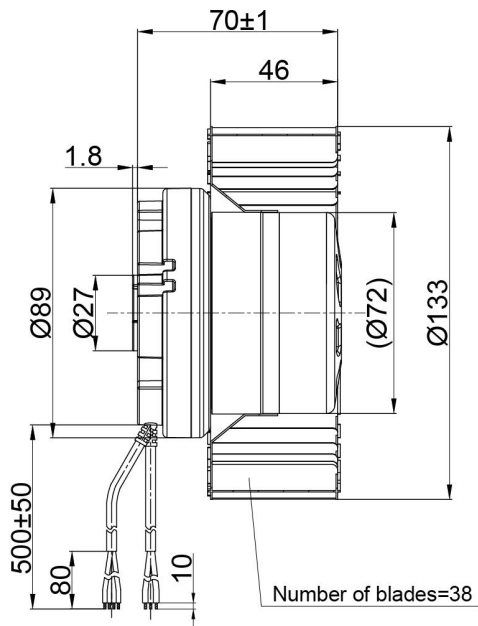
Model	Motor	Bearing System	Rated Voltage	Frequency	Rated Current	Rated Power	Rated Speed	Air Flow	Air Pressure	Sound Level
Part No.	Type	B/S	VAC	Hz	A	W	RPM	M ³ /H	Pa	dB(A)
PF3N120B2E-RZ0	BE72EC	BALL	230	50/60	0.7	85	3450	350	400	67

EC Centrifugal Fan Forward Curved Ø133x70mm



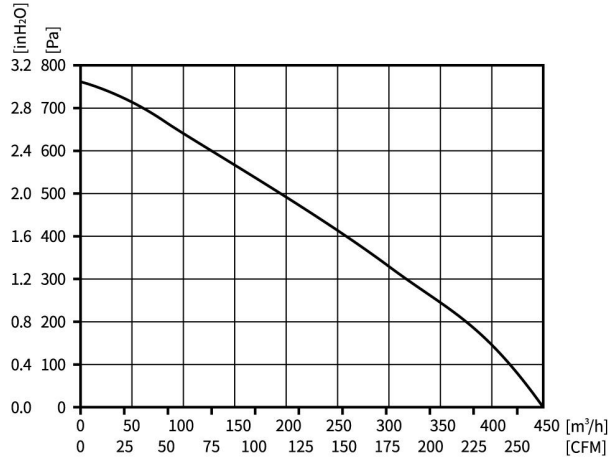
Forward Curved Centrifugal Fans

Motor Type EC BRUSHLESS EXTERNAL ROTOR MOTOR	Speed Control 0-10VDC/PWM	Protection Type IP55	Insulation Class B	Operating Temperature -25°C ~ +60°C	Weight 1.35KG	Wiring Mode E1
---	------------------------------	-------------------------	-----------------------	--	------------------	-------------------

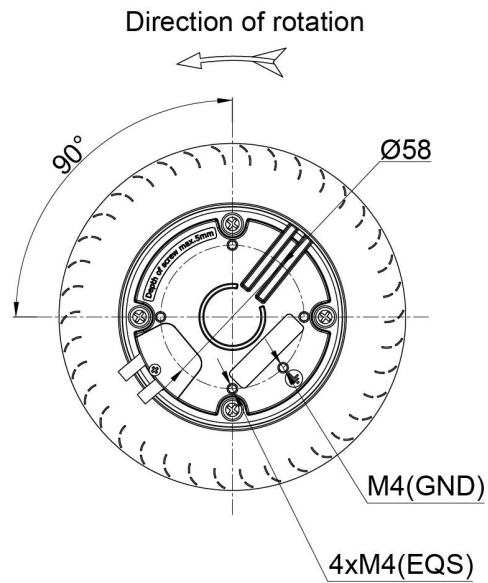
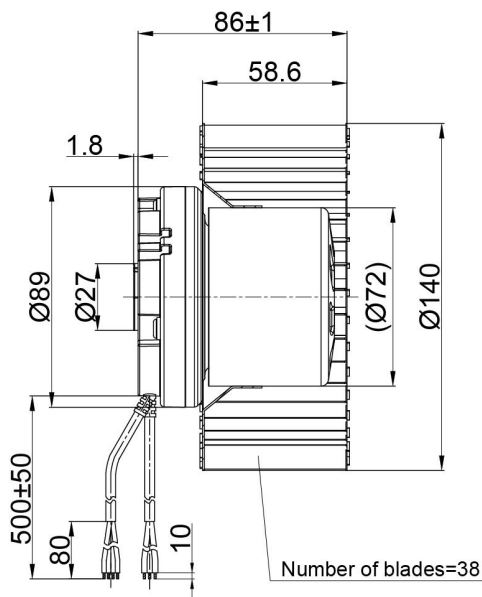


Model	Motor	Bearing System	Rated Voltage	Frequency	Rated Current	Rated Power	Rated Speed	Air Flow	Air Pressure	Sound Level
Part No.	Type	B/S	VAC	Hz	A	W	RPM	M ³ /H	Pa	dB(A)
PF3N133B2E-RZ0	BE72EC	BALL	230	50/60	0.65	85	3200	430	280	63

EC Centrifugal Fan Forward Curved Ø140x86mm



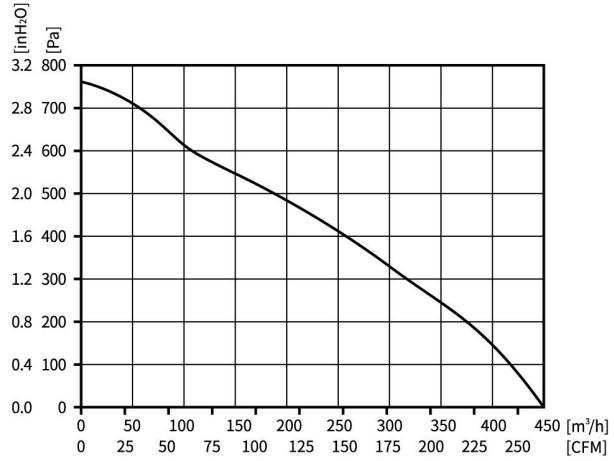
Motor Type EC BRUSHLESS EXTERNAL ROTOR MOTOR	Speed Control 0-10VDC/PWM	Protection Type IP55	Insulation Class B	Operating Temperature -25°C ~ +60°C	Weight 1.0KG	Wiring Mode E1
---	------------------------------	-------------------------	-----------------------	--	-----------------	-------------------



Forward Curved Centrifugal Fans

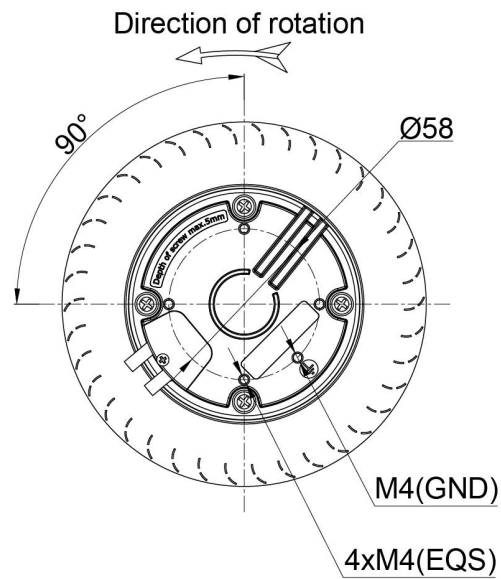
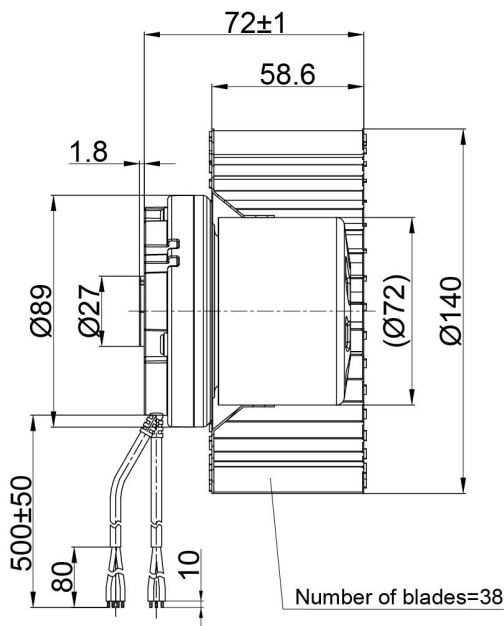
Model	Motor	Bearing System	Rated Voltage	Frequency	Rated Current	Rated Power	Rated Speed	Air Flow	Air Pressure	Sound Level
Part No.	Type	B/S	VAC	Hz	A	W	RPM	M ³ /H	Pa	dB(A)
PF3N140B2E-RZ0	BE72EC	BALL	230	50/60	0.7	85	1900	450	760	72

EC Centrifugal Fan Forward Curved Ø140x72mm



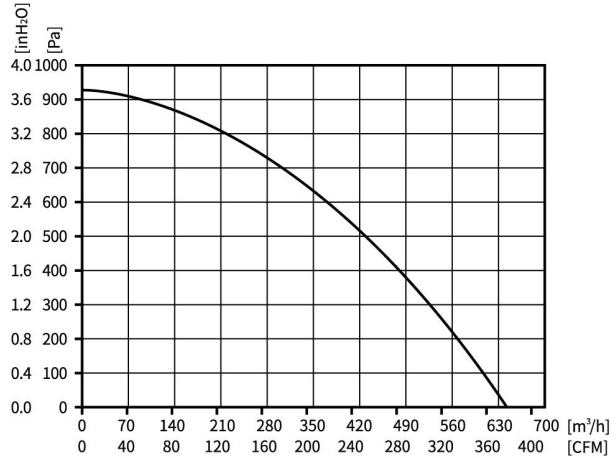
Forward Curved Centrifugal Fans

Motor Type EC BRUSHLESS EXTERNAL ROTOR MOTOR	Speed Control 0-10VDC/PWM	Protection Type IP55	Insulation Class B	Operating Temperature -25°C ~ +60°C	Weight 1.2KG	Wiring Mode E1
---	------------------------------	-------------------------	-----------------------	--	-----------------	-------------------

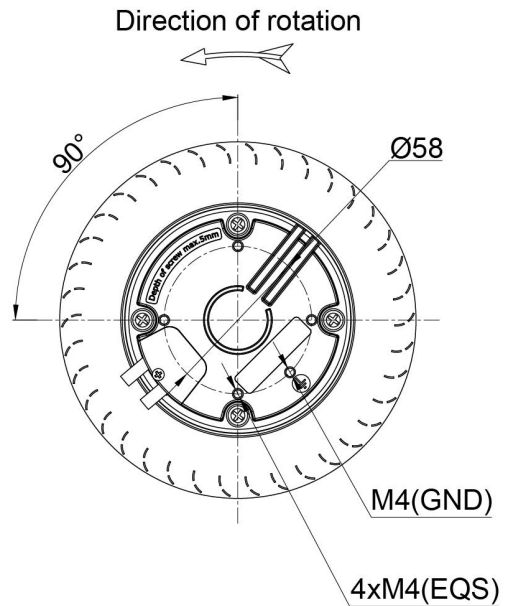
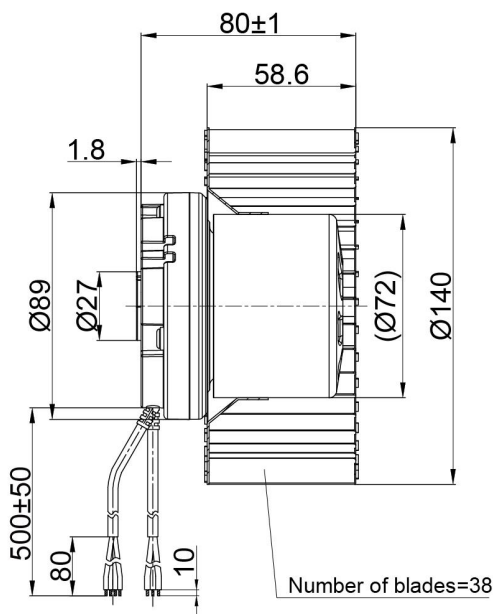


Model	Motor	Bearing System	Rated Voltage	Frequency	Rated Current	Rated Power	Rated Speed	Air Flow	Air Pressure	Sound Level
Part No.	Type	B/S	VAC	Hz	A	W	RPM	M ³ /H	Pa	dB(A)
PF3N140B2E-RP0	BE72EC	BALL	230	50/60	0.7	85	1900	450	760	72

EC Centrifugal Fan Forward Curved Ø140x80mm



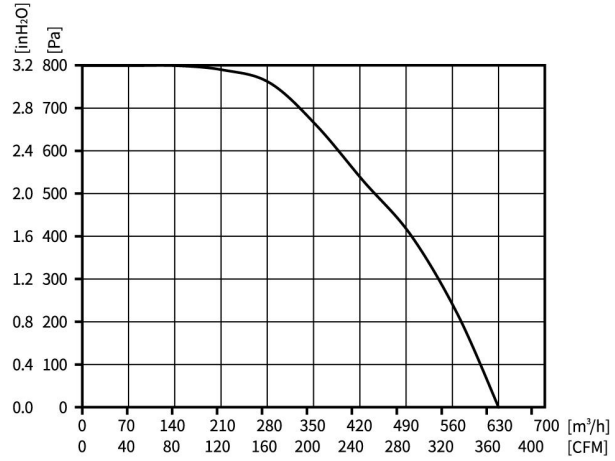
Motor Type EC BRUSHLESS EXTERNAL ROTOR MOTOR	Speed Control 0-10VDC/PWM	Protection Type IP55	Insulation Class B	Operating Temperature -25°C ~ +60°C	Weight 1.45KG	Wiring Mode E1
---	------------------------------	-------------------------	-----------------------	--	------------------	-------------------



Forward Curved Centrifugal Fans

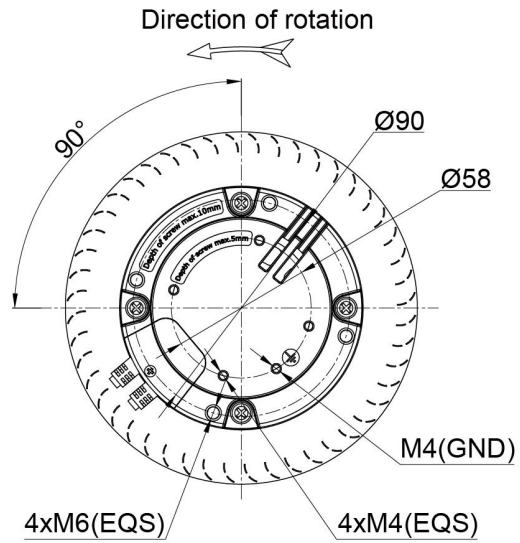
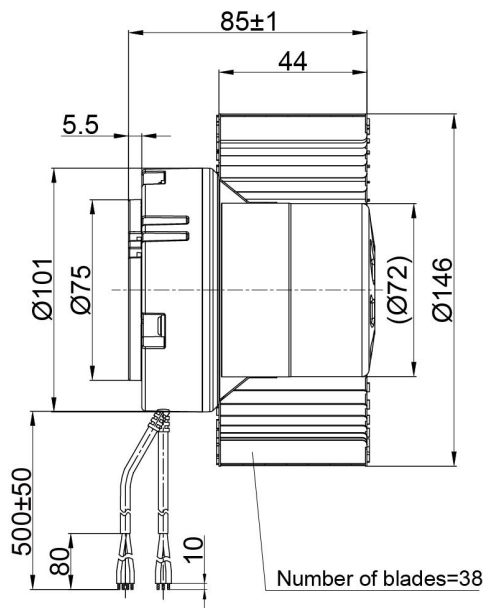
Model	Motor	Bearing System	Rated Voltage	Frequency	Rated Current	Rated Power	Rated Speed	Air Flow	Air Pressure	Sound Level
Part No.	Type	B/S	VAC	Hz	A	W	RPM	M³/H	Pa	dB(A)
PF3N140B2E-SZ0	BE72EC	BALL	230	50/60	0.85	115	2000	640	920	67

EC Centrifugal Fan Forward Curved Ø146x85mm



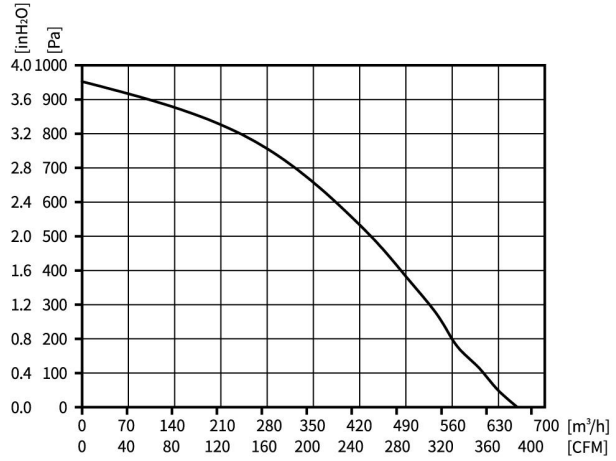
Forward Curved Centrifugal Fans

Motor Type EC BRUSHLESS EXTERNAL ROTOR MOTOR	Speed Control 0-10VDC/PWM	Protection Type IP55	Insulation Class B	Operating Temperature -25°C ~ +60°C	Weight 1.25KG	Wiring Mode E1
---	------------------------------	-------------------------	-----------------------	--	------------------	-------------------

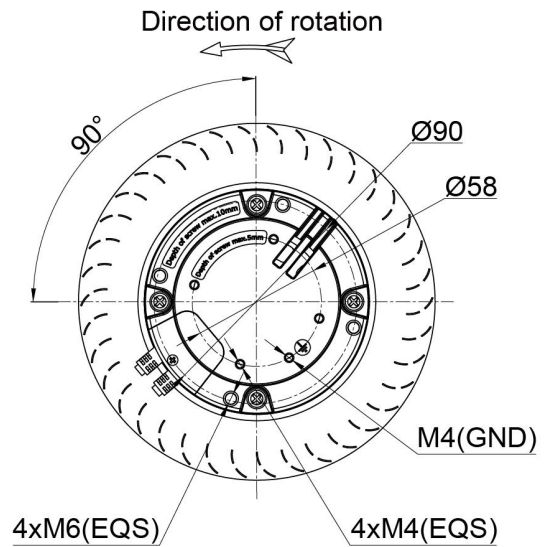
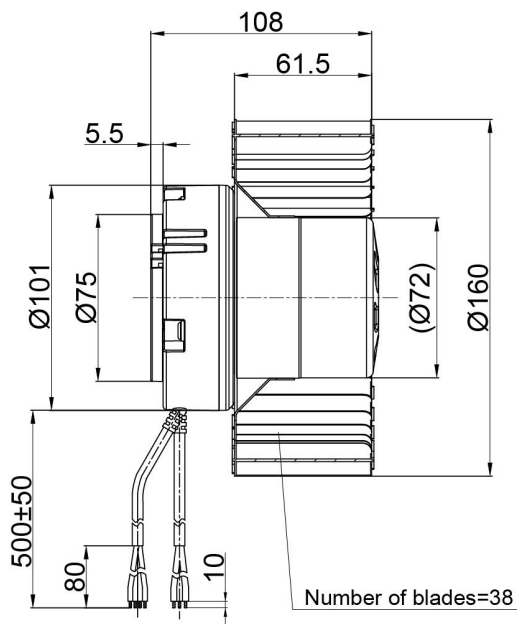


Model	Motor	Bearing System	Rated Voltage	Frequency	Rated Current	Rated Power	Rated Speed	Air Flow	Air Pressure	Sound Level
Part No.	Type	B/S	VAC	Hz	A	W	RPM	M ³ /H	Pa	dB(A)
PF3N146B2E-TZ0	BE72EC	BALL	230	50/60	0.6	170	2600	630	800	73

EC Centrifugal Fan Forward Curved Ø160x108mm



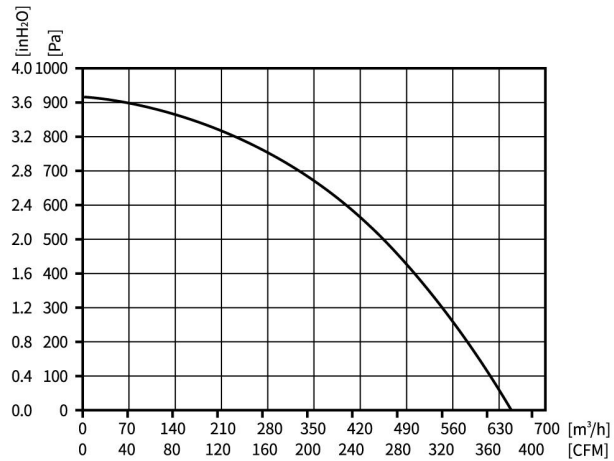
Motor Type EC BRUSHLESS EXTERNAL ROTOR MOTOR	Speed Control 0-10VDC/PWM	Protection Type IP55	Insulation Class B	Operating Temperature -25°C ~ +60°C	Weight 1.35KG	Wiring Mode E1
---	------------------------------	-------------------------	-----------------------	--	------------------	-------------------



Forward Curved Centrifugal Fans

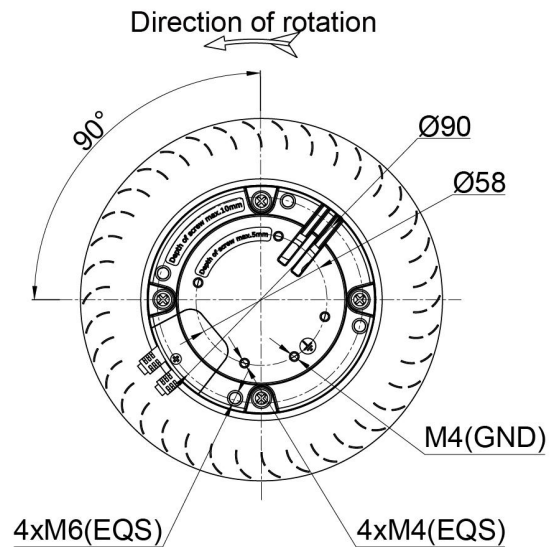
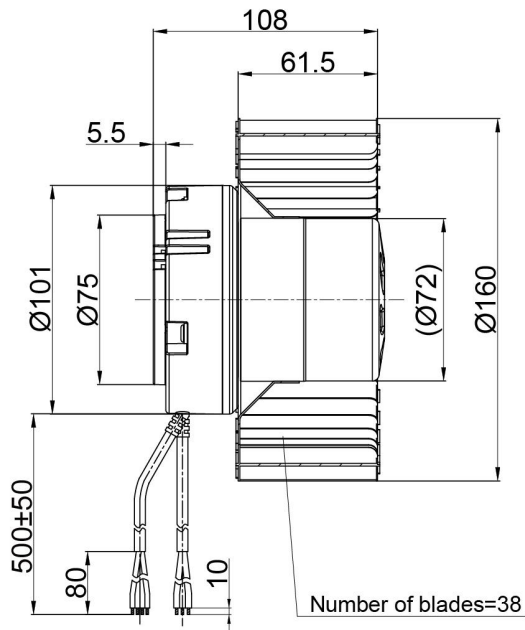
Model	Motor	Bearing System	Rated Voltage	Frequency	Rated Current	Rated Power	Rated Speed	Air Flow	Air Pressure	Sound Level
Part No.	Type	B/S	VAC	Hz	A	W	RPM	M³/H	Pa	dB(A)
PF3N160B2E-TP0	BE72EC	BALL	230	50/60	1.2	170	2000	660	950	67

EC Centrifugal Fan Forward Curved Ø160x108mm



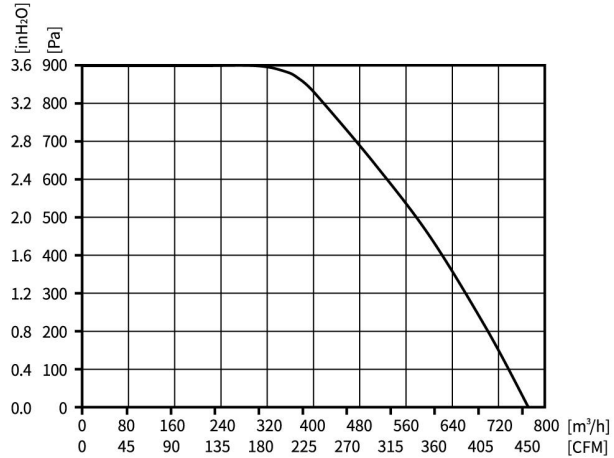
Forward Curved Centrifugal Fans

Motor Type EC BRUSHLESS EXTERNAL ROTOR MOTOR	Speed Control 0-10VDC/PWM	Protection Type IP55	Insulation Class B	Operating Temperature -25°C ~ +60°C	Weight 1.5KG	Wiring Mode E1
---	------------------------------	-------------------------	-----------------------	--	-----------------	-------------------

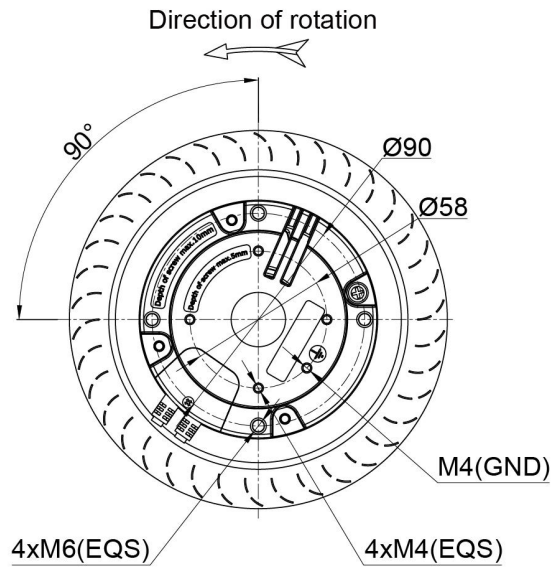
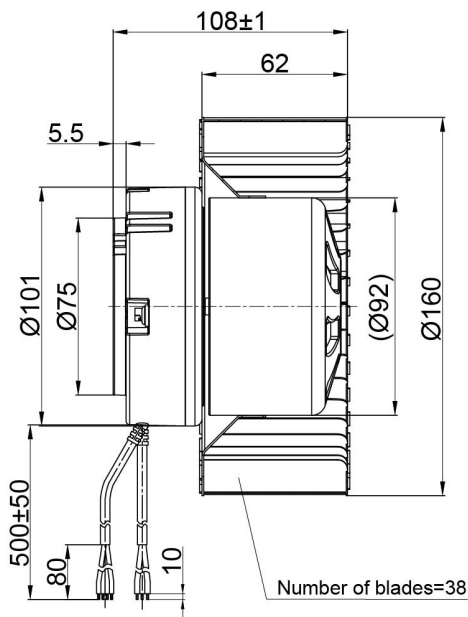


Model	Motor	Bearing System	Rated Voltage	Frequency	Rated Current	Rated Power	Rated Speed	Air Flow	Air Pressure	Sound Level
Part No.	Type	B/S	VAC	Hz	A	W	RPM	M ³ /H	Pa	dB(A)
PF3N160B2E-TZ0	BE72EC	BALL	230	50/60	1.1	155	1900	640	910	68

EC Centrifugal Fan Forward Curved Ø160x108mm



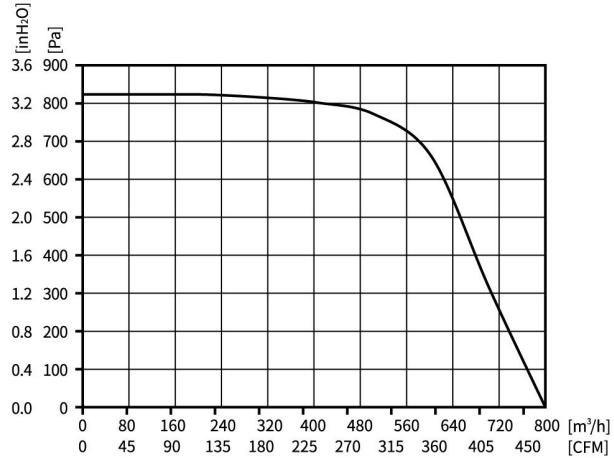
Motor Type EC BRUSHLESS EXTERNAL ROTOR MOTOR	Speed Control 0-10VDC/PWM	Protection Type IP55	Insulation Class B	Operating Temperature -25°C ~ +60°C	Weight 1.5KG	Wiring Mode E2
---	------------------------------	-------------------------	-----------------------	--	-----------------	-------------------



Forward Curved Centrifugal Fans

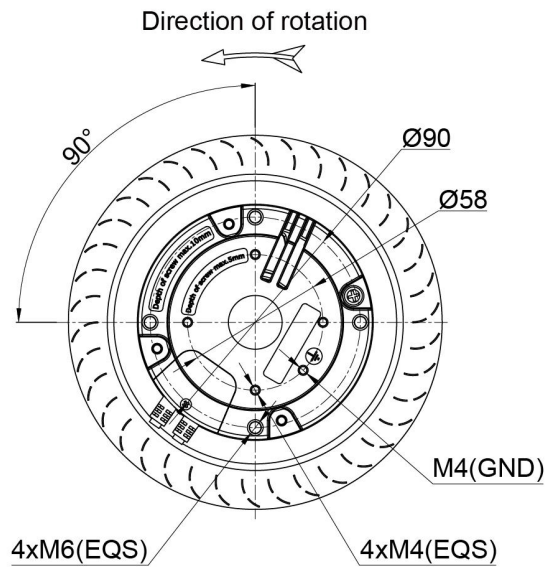
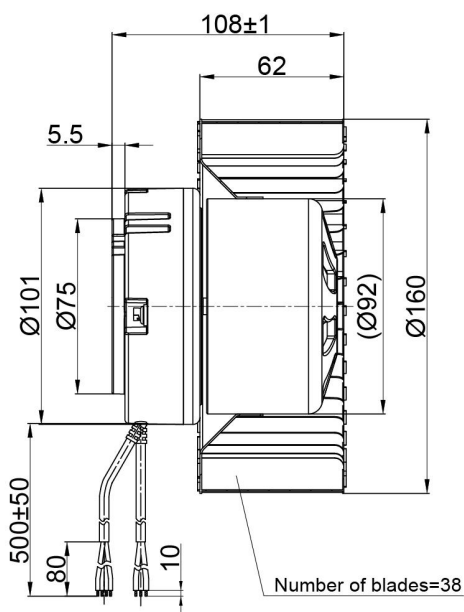
Model	Motor	Bearing System	Rated Voltage	Frequency	Rated Current	Rated Power	Rated Speed	Air Flow	Air Pressure	Sound Level
Part No.	Type	B/S	VAC	Hz	A	W	RPM	M³/H	Pa	dB(A)
PF3N160B2E-MP0	BE92EC	BALL	230	50/60	1.55	220	2300	770	900	71

EC Centrifugal Fan Forward Curved Ø160x108mm



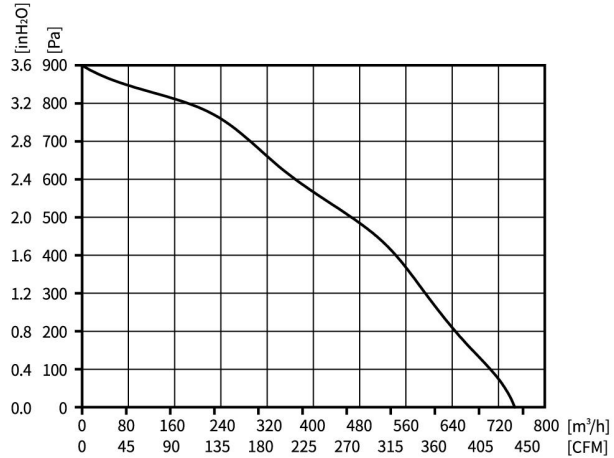
Forward Curved Centrifugal Fans

Motor Type EC BRUSHLESS EXTERNAL ROTOR MOTOR	Speed Control 0-10VDC/PWM	Protection Type IP55	Insulation Class B	Operating Temperature -25°C ~ +60°C	Weight 1.7KG	Wiring Mode E2
---	------------------------------	-------------------------	-----------------------	--	-----------------	-------------------

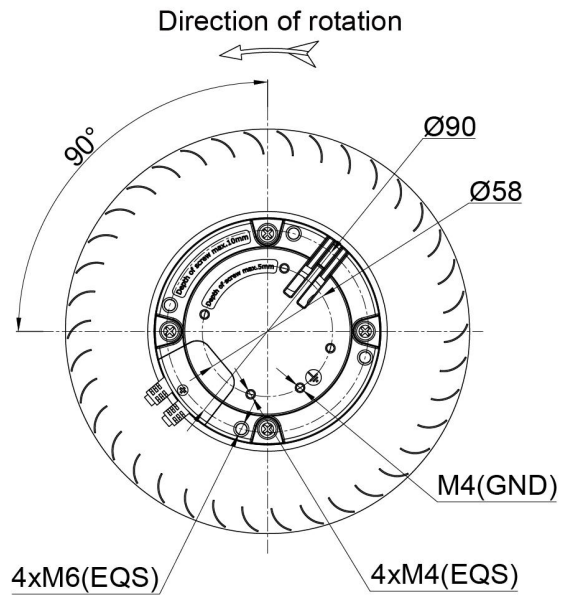
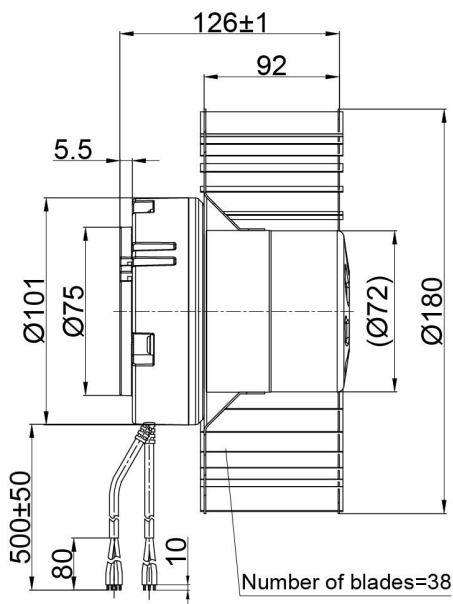


Model	Motor	Bearing System	Rated Voltage	Frequency	Rated Current	Rated Power	Rated Speed	Air Flow	Air Pressure	Sound Level
Part No.	Type	B/S	VAC	Hz	A	W	RPM	M ³ /H	Pa	dB(A)
PF3N160B2E-MZ0	BE92EC	BALL	230	50/60	1.6	220	2300	800	820	73

EC Centrifugal Fan Forward Curved Ø180x126mm



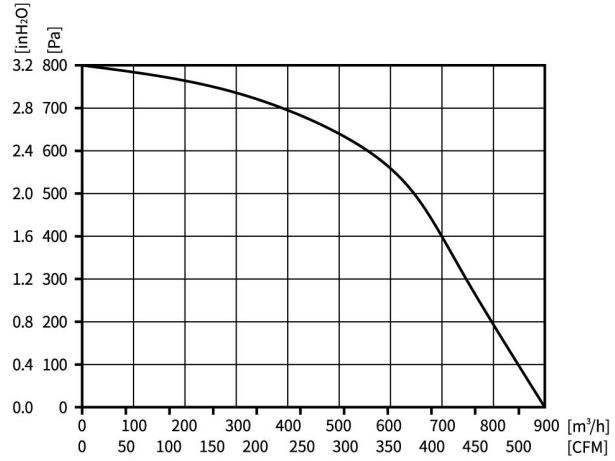
Motor Type EC BRUSHLESS EXTERNAL ROTOR MOTOR	Speed Control 0-10VDC/PWM	Protection Type IP55	Insulation Class B	Operating Temperature -25°C ~ +60°C	Weight 1.65KG	Wiring Mode E1
---	------------------------------	-------------------------	-----------------------	--	------------------	-------------------



Forward Curved Centrifugal Fans

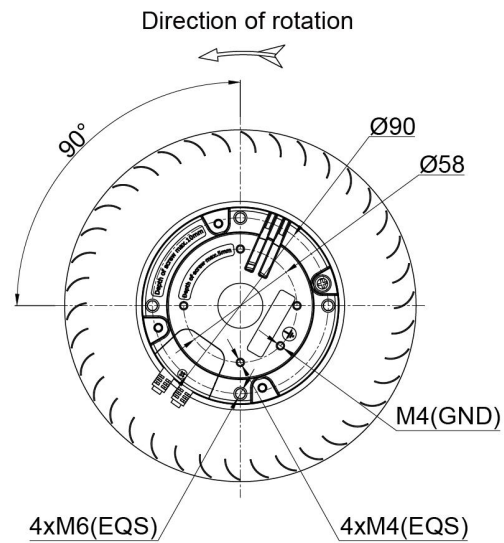
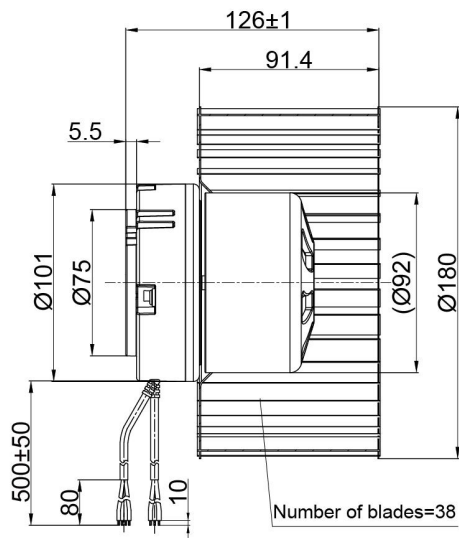
Model	Motor	Bearing System	Rated Voltage	Frequency	Rated Current	Rated Power	Rated Speed	Air Flow	Air Pressure	Sound Level
Part No.	Type	B/S	VAC	Hz	A	W	RPM	M ³ /H	Pa	dB(A)
PF3N180B2E-TZ0	BE72EC	BALL	230	50/60	1.2	170	1550	750	900	66

EC Centrifugal Fan Forward Curved Ø180x126mm



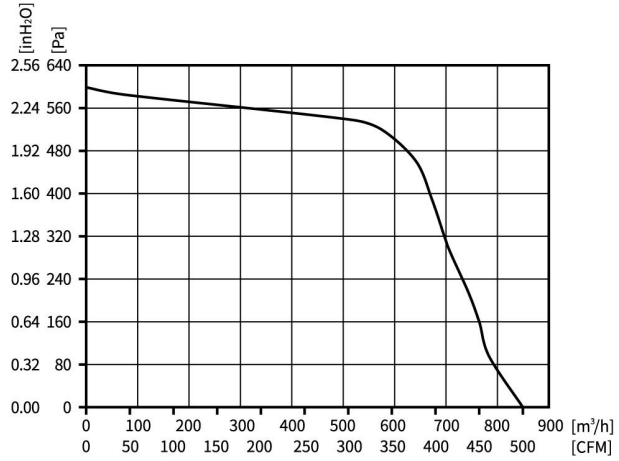
Forward Curved Centrifugal Fans

Motor Type EC BRUSHLESS EXTERNAL ROTOR MOTOR	Speed Control 0-10VDC/PWM	Protection Type IP55	Insulation Class B	Operating Temperature -25°C ~ +60°C	Weight 1.8KG	Wiring Mode E2
---	------------------------------	-------------------------	-----------------------	--	-----------------	-------------------

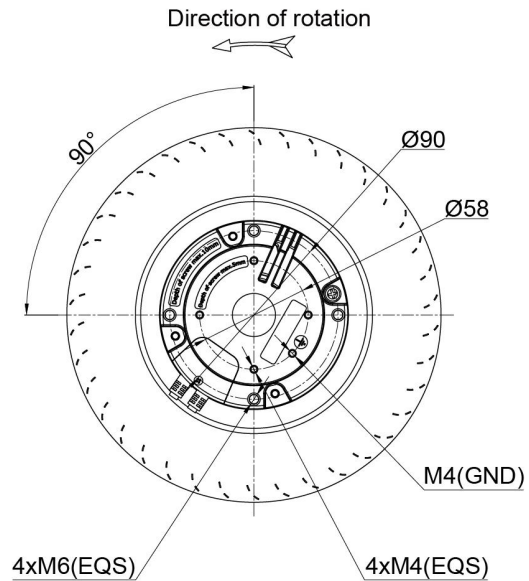
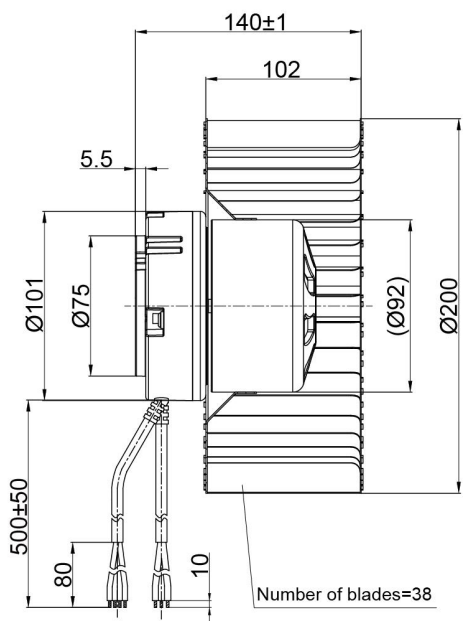


Model	Motor	Bearing System	Rated Voltage	Frequency	Rated Current	Rated Power	Rated Speed	Air Flow	Air Pressure	Sound Level
Part No.	Type	B/S	VAC	Hz	A	W	RPM	M ³ /H	Pa	dB(A)
PF3N180B2E-MZ0	BE92EC	BALL	230	50/60	1.55	220	1800	900	800	68

EC Centrifugal Fan Forward Curved Ø200x140mm



Motor Type EC BRUSHLESS EXTERNAL ROTOR MOTOR	Speed Control 0-10VDC/PWM	Protection Type IP55	Insulation Class B	Operating Temperature -25°C ~ +60°C	Weight 2.7KG	Wiring Mode E2
---	------------------------------	-------------------------	-----------------------	--	-----------------	-------------------



Model	Motor	Bearing System	Rated Voltage	Frequency	Rated Current	Rated Power	Rated Speed	Air Flow	Air Pressure	Sound Level
Part No.	Type	B/S	VAC	Hz	A	W	RPM	M ³ /H	Pa	dB(A)
PF3N200B2E-MZ0	BE92EC	BALL	230	50/60	1.7	220	2200	850	600	74

Forward Curved Centrifugal Fans