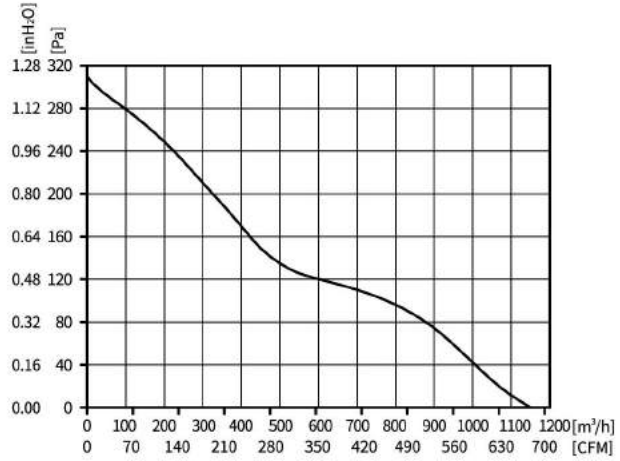
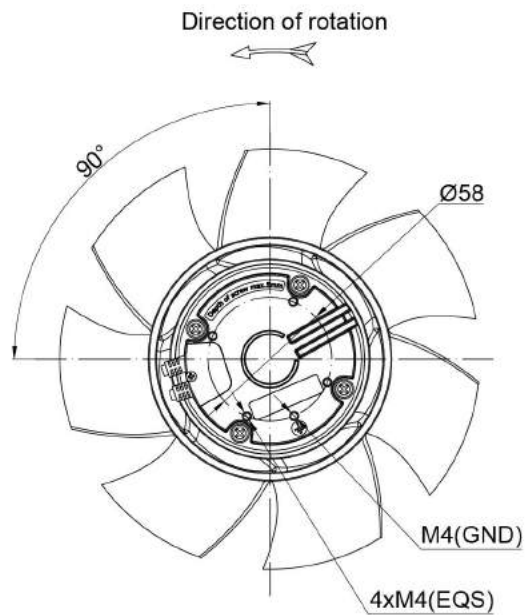
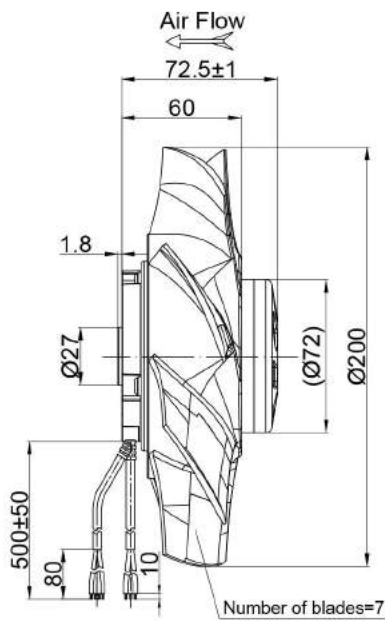


EC Axial Fan $\varnothing 200 \times 72.5 \text{mm}$

Axial Fans

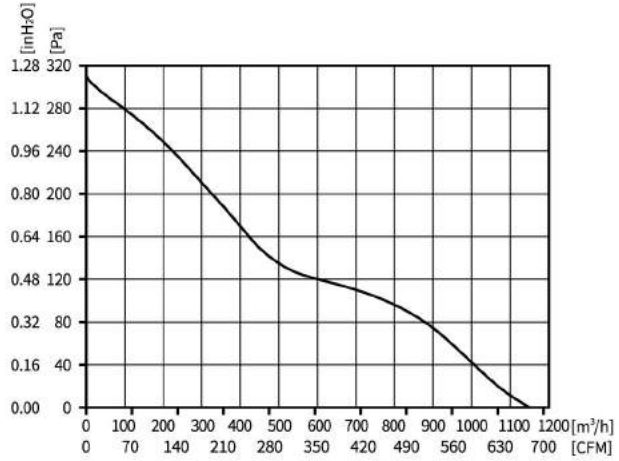


Motor Type EC BRUSHLESS EXTERNAL ROTOR MOTOR	Speed Control 0-10VDC/PWM	Protection Type IP55	Insulation Class B	Operating Temperature -25°C ~ +60°C	Weight 1.2KG	Wiring Mode E1
---	------------------------------	-------------------------	-----------------------	--	-----------------	-------------------



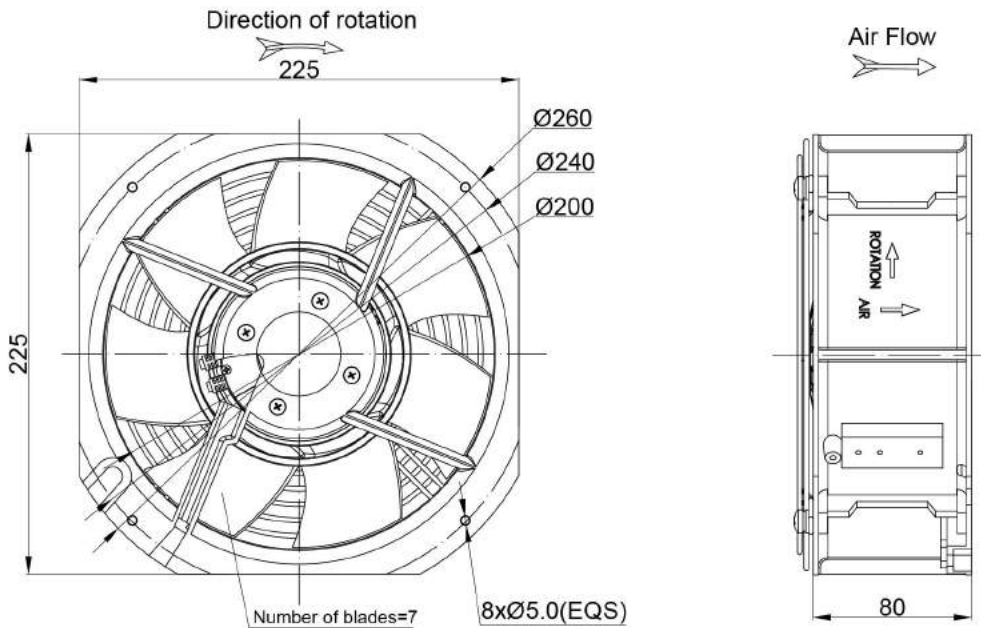
Model	Motor	Bearing System	Rated Voltage	Frequency	Rated Current	Rated Power	Rated Speed	Air Flow	Air Pressure	Sound Level
Part No.	Type	B/S	VAC	Hz	A	W	RPM	M ³ /H	Pa	dB(A)
PA3N200B2E-RN0	BE72EC	BALL	230	50/60	0.45	58	3000	1150	310	62

EC Axial Fan $\varnothing 200 \times 80 \text{mm}$



Axial Fans

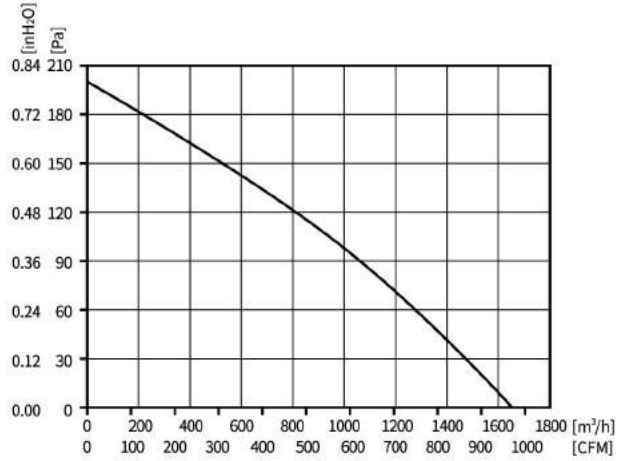
Motor Type EC BRUSHLESS EXTERNAL ROTOR MOTOR	Speed Control 0-10VDC/PWM	Protection Type IP55	Insulation Class B	Operating Temperature -25°C ~ +60°C	Weight 1.86KG	Wiring Mode E1
---	------------------------------	-------------------------	-----------------------	--	------------------	-------------------



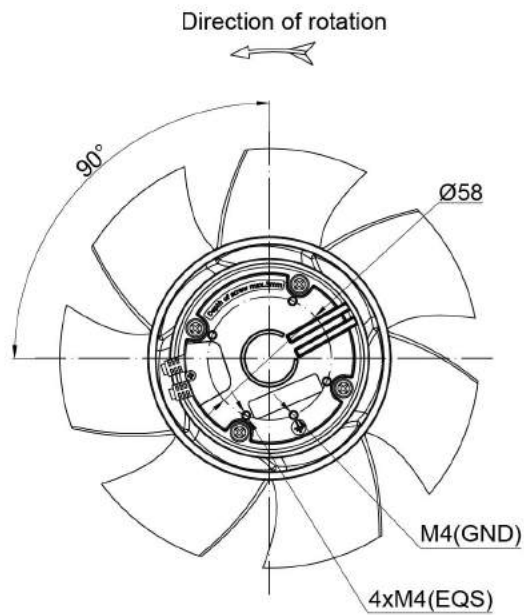
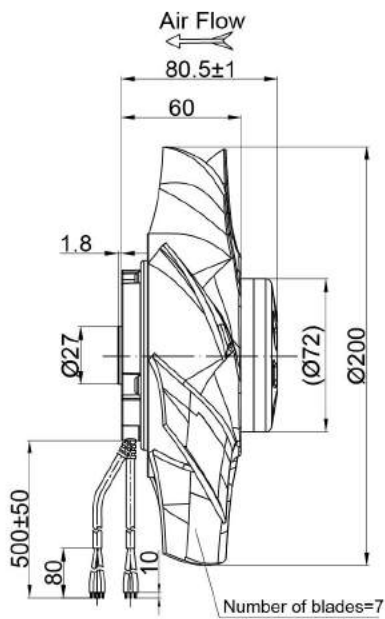
Model	Motor	Bearing System	Rated Voltage	Frequency	Rated Current	Rated Power	Rated Speed	Air Flow	Air Pressure	Sound Level
Part No.	Type	B/S	VAC	Hz	A	W	RPM	M³/H	Pa	dB(A)
PA3N200B2E-RZ0	BE72EC	BALL	230	50/60	0.45	58	3000	1150	310	62

EC Axial Fan $\varnothing 200 \times 80.5 \text{mm}$

Axial Fans

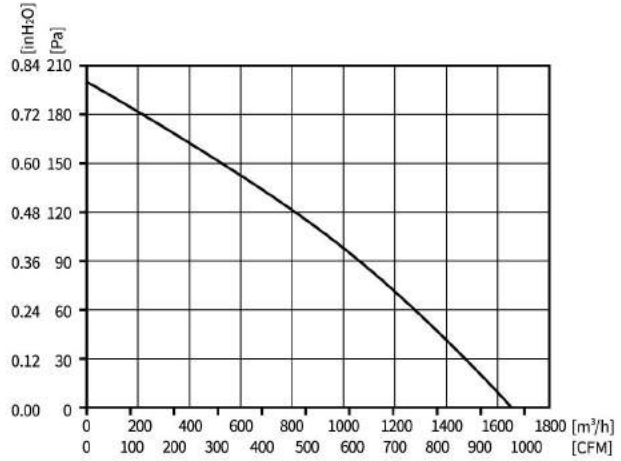


Motor Type EC BRUSHLESS EXTERNAL ROTOR MOTOR	Speed Control 0-10VDC/PWM	Protection Type IP55	Insulation Class B	Operating Temperature -25°C ~ +60°C	Weight 1.2KG	Wiring Mode E1
---	------------------------------	-------------------------	-----------------------	--	-----------------	-------------------



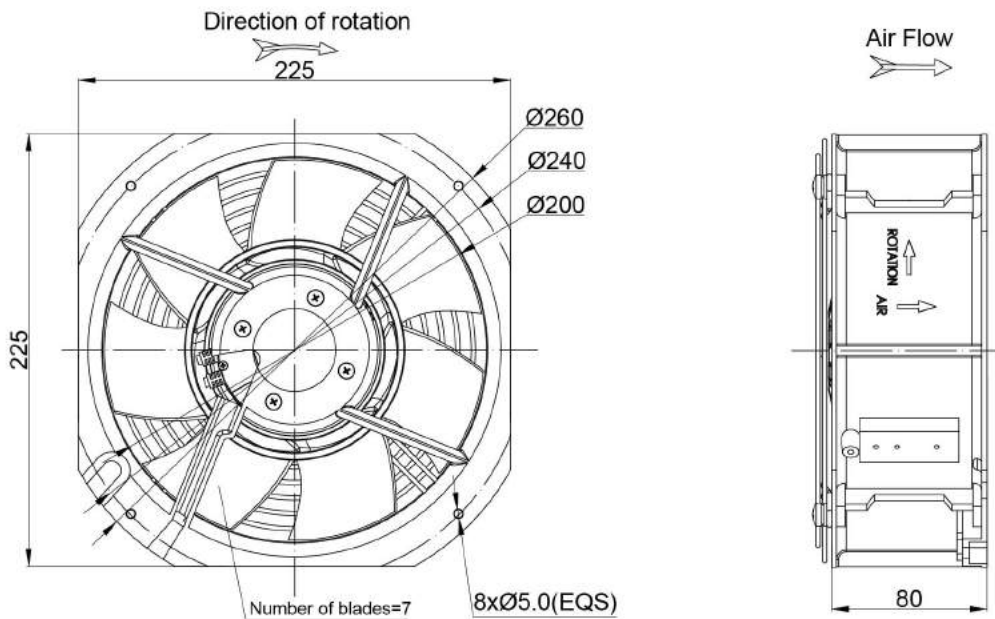
Model	Motor	Bearing System	Rated Voltage	Frequency	Rated Current	Rated Power	Rated Speed	Air Flow	Air Pressure	Sound Level
Part No.	Type	B/S	VAC	Hz	A	W	RPM	M ³ /H	Pa	dB(A)
PA3N200B2E-SN0	BE72EC	BALL	230	50/60	0.85	115	4100	1650	200	66

EC Axial Fan $\varnothing 200 \times 80 \text{mm}$



Axial Fans

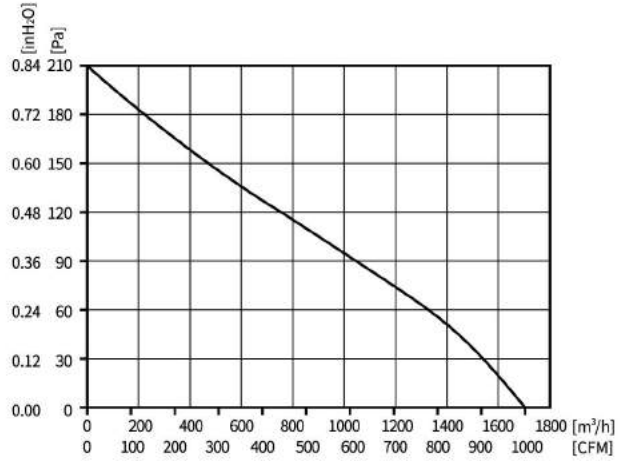
Motor Type EC BRUSHLESS EXTERNAL ROTOR MOTOR	Speed Control 0-10VDC/PWM	Protection Type IP55	Insulation Class B	Operating Temperature -25°C ~ +60°C	Weight 1.86KG	Wiring Mode E1
---	------------------------------	-------------------------	-----------------------	--	------------------	-------------------



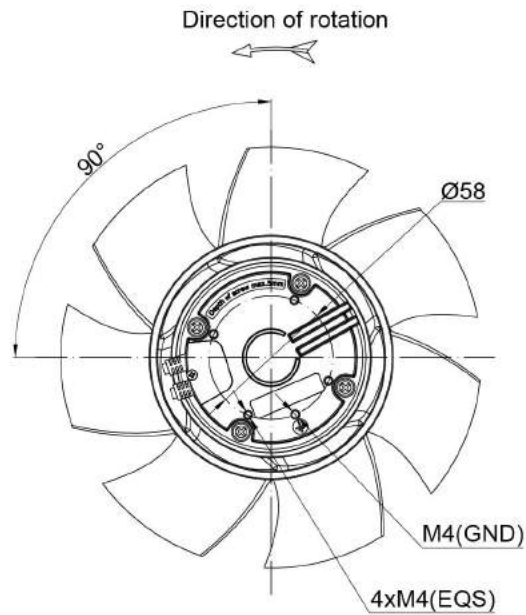
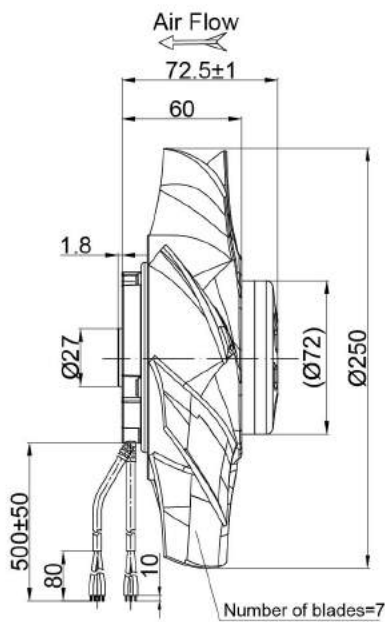
Model	Motor	Bearing System	Rated Voltage	Frequency	Rated Current	Rated Power	Rated Speed	Air Flow	Air Pressure	Sound Level
Part No.	Type	B/S	VAC	Hz	A	W	RPM	M ³ /H	Pa	dB(A)
PA3N200B2E-SZ0	BE72EC	BALL	230	50/60	0.85	115	4100	1650	200	66

EC Axial Fan $\varnothing 250 \times 72.5 \text{mm}$

Axial Fans

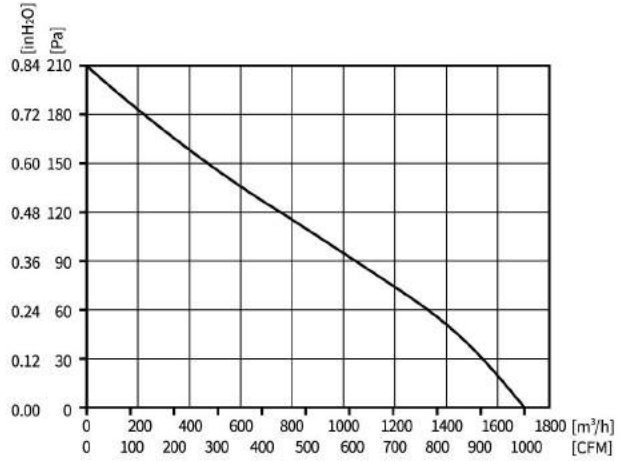


Motor Type EC BRUSHLESS EXTERNAL ROTOR MOTOR	Speed Control 0-10VDC/PWM	Protection Type IP55	Insulation Class B	Operating Temperature -25°C ~ +60°C	Weight 1.4KG	Wiring Mode E1
---	------------------------------	-------------------------	-----------------------	--	-----------------	-------------------



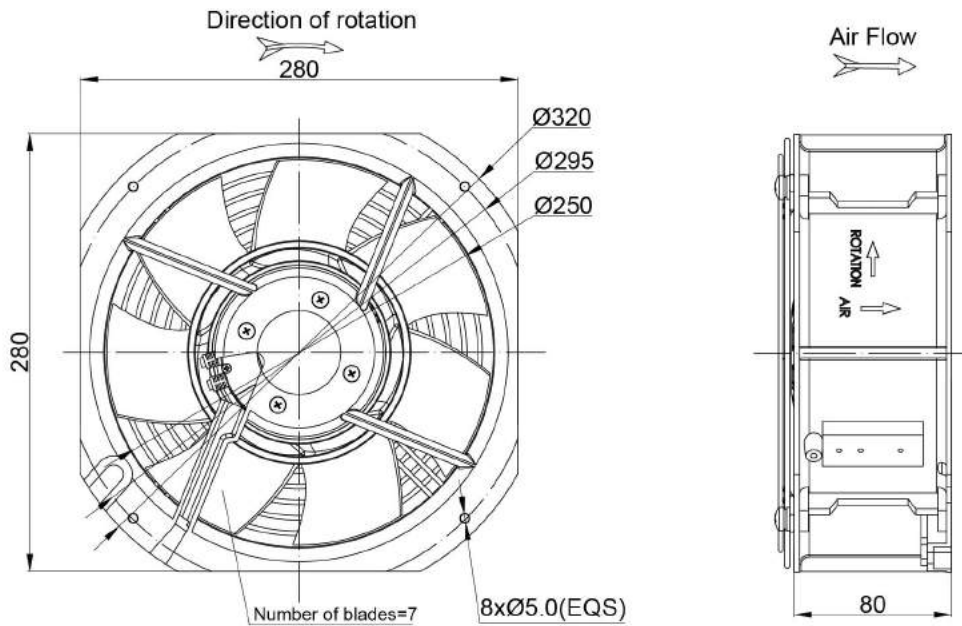
Model Part No.	Motor Type	Bearing System B/S	Rated Voltage VAC	Frequency Hz	Rated Current A	Rated Power W	Rated Speed RPM	Air Flow M³/H	Air Pressure Pa	Sound Level dB(A)
PA3N250B2E-RN0	BE72EC	BALL	230	50/60	0.65	85	2600	1700	210	61

EC Axial Fan $\varnothing 250 \times 80 \text{mm}$



Axial Fans

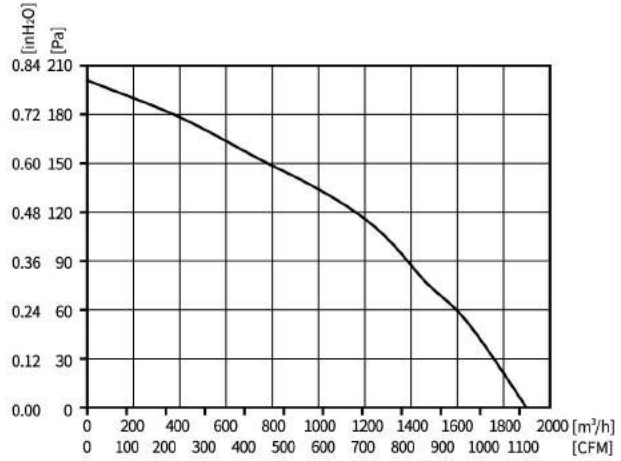
Motor Type EC BRUSHLESS EXTERNAL ROTOR MOTOR	Speed Control 0-10VDC/PWM	Protection Type IP55	Insulation Class B	Operating Temperature -25°C ~ +60°C	Weight 2.2KG	Wiring Mode E1
---	------------------------------	-------------------------	-----------------------	--	-----------------	-------------------



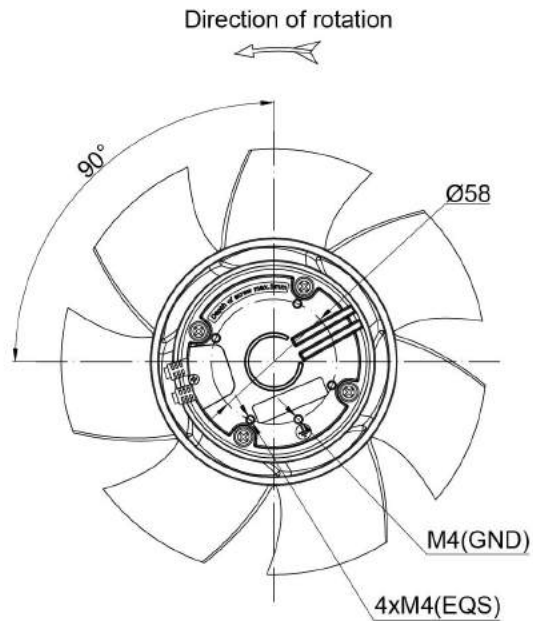
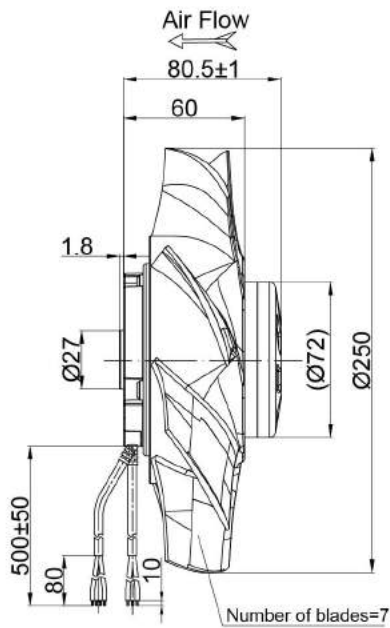
Model	Motor	Bearing System	Rated Voltage	Frequency	Rated Current	Rated Power	Rated Speed	Air Flow	Air Pressure	Sound Level
Part No.	Type	B/S	VAC	Hz	A	W	RPM	M³/H	Pa	dB(A)
PA3N250B2E-RZ0	BE72EC	BALL	230	50/60	0.65	85	2600	1700	210	61

EC Axial Fan $\varnothing 250 \times 80.5 \text{mm}$

Axial Fans

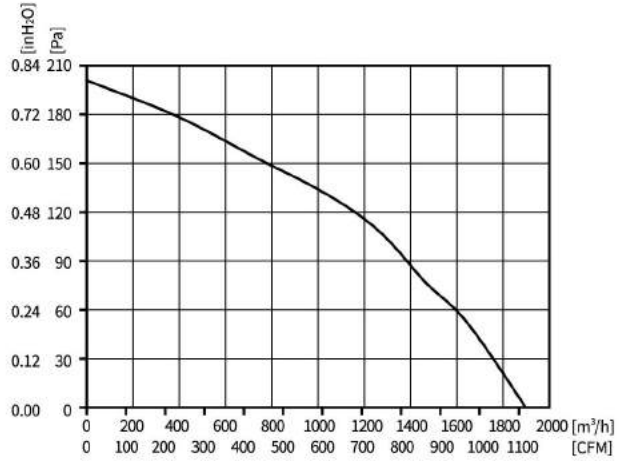


Motor Type EC BRUSHLESS EXTERNAL ROTOR MOTOR	Speed Control 0-10VDC/PWM	Protection Type IP55	Insulation Class B	Operating Temperature -25°C ~ +60°C	Weight 1.4KG	Wiring Mode E1
---	------------------------------	-------------------------	-----------------------	--	-----------------	-------------------



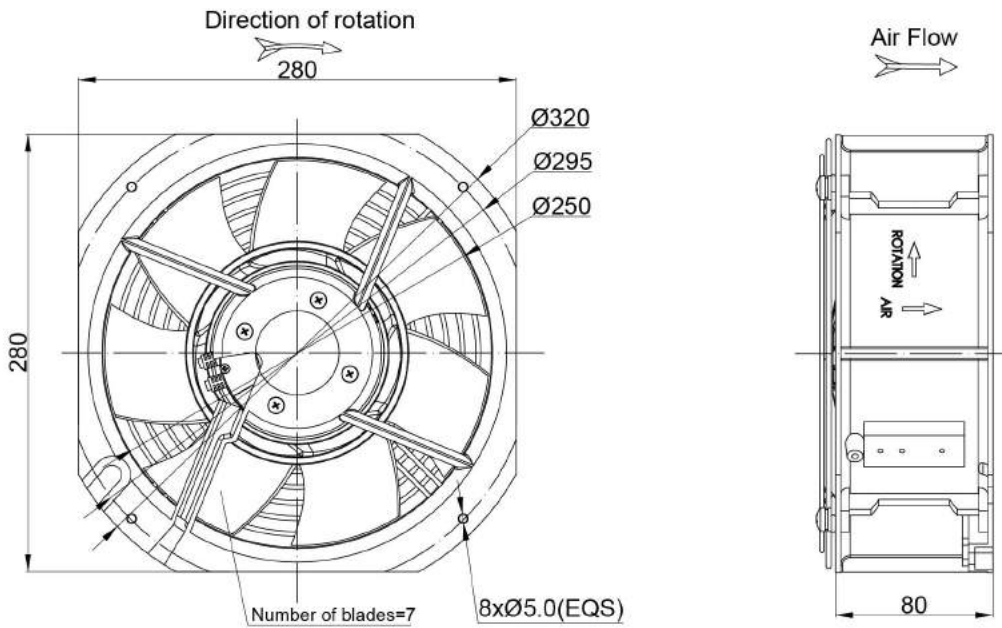
Model	Motor	Bearing System	Rated Voltage	Frequency	Rated Current	Rated Power	Rated Speed	Air Flow	Air Pressure	Sound Level
Part No.	Type	B/S	VAC	Hz	A	W	RPM	M ³ /H	Pa	dB(A)
PA3N250B2E-SN0	BE72EC	BALL	230	50/60	0.9	120	3000	1900	200	63

EC Axial Fan $\varnothing 250 \times 80 \text{mm}$



Axial Fans

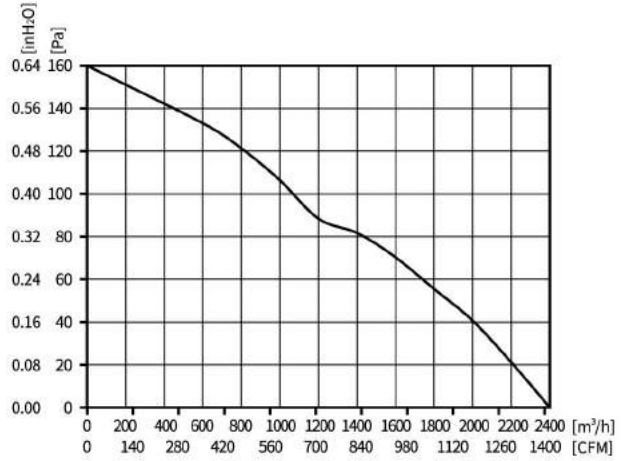
Motor Type EC BRUSHLESS EXTERNAL ROTOR MOTOR	Speed Control 0-10VDC/PWM	Protection Type IP55	Insulation Class B	Operating Temperature -25°C ~ +60°C	Weight 2.2KG	Wiring Mode E1
---	------------------------------	-------------------------	-----------------------	--	-----------------	-------------------



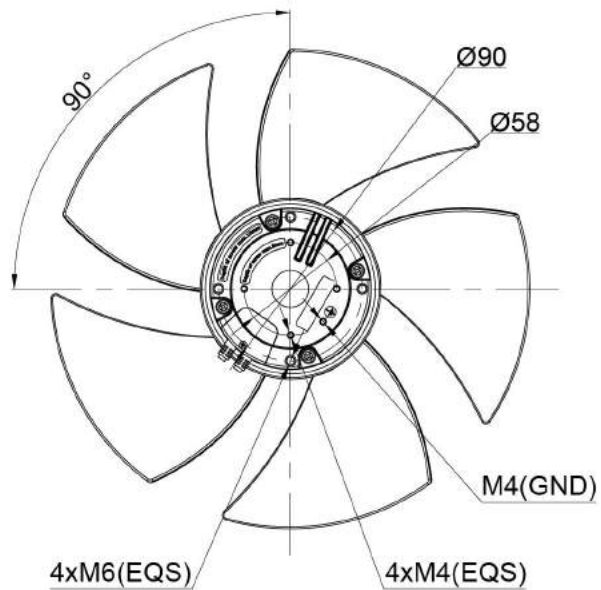
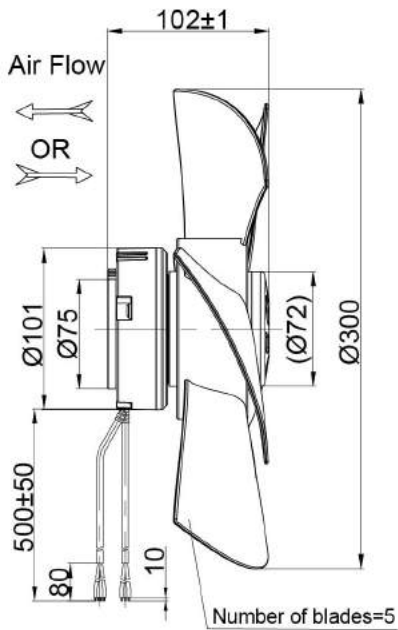
Model	Motor	Bearing System	Rated Voltage	Frequency	Rated Current	Rated Power	Rated Speed	Air Flow	Air Pressure	Sound Level
Part No.	Type	B/S	VAC	Hz	A	W	RPM	M ³ /H	Pa	dB(A)
PA3N250B2E-SZ0	BE72EC	BALL	230	50/60	0.9	120	3000	1900	200	63

EC Axial Fan $\varnothing 300 \times 102 \text{mm}$

Axial Fans

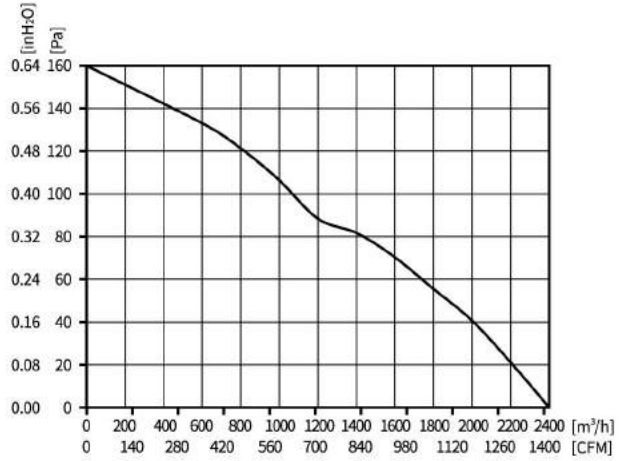


Motor Type EC BRUSHLESS EXTERNAL ROTOR MOTOR	Speed Control 0-10VDC/PWM	Protection Type IP55	Insulation Class B	Operating Temperature -25°C ~ +60°C	Weight 2.1KG	Wiring Mode E1
---	------------------------------	-------------------------	-----------------------	--	-----------------	-------------------



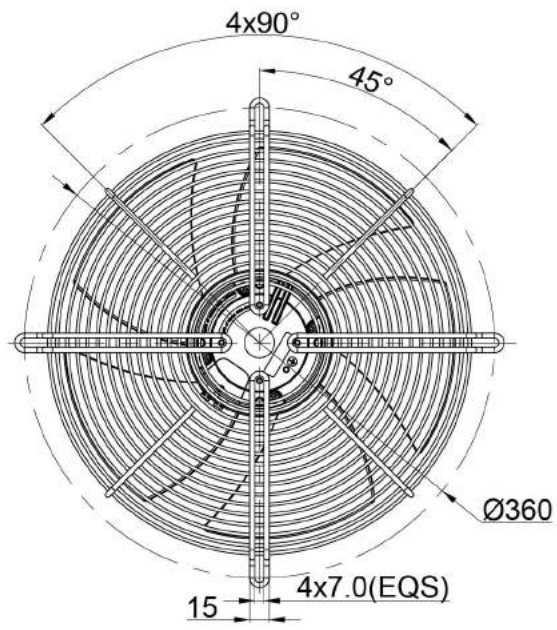
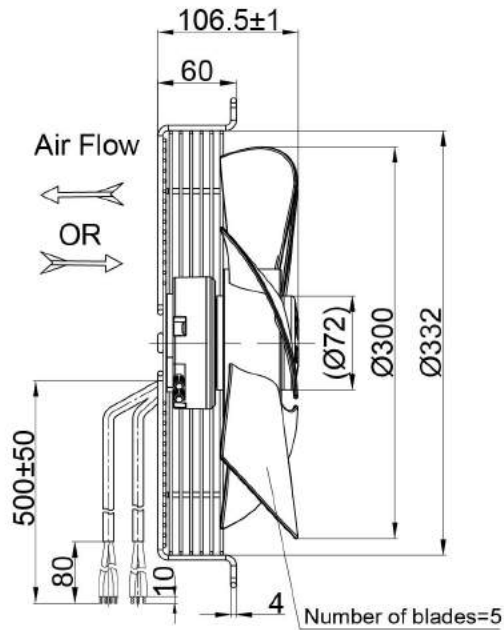
Model Part No.	Motor Type	Bearing System B/S	Rated Voltage VAC	Frequency Hz	Rated Current A	Rated Power W	Rated Speed RPM	Air Flow M³/H	Air Pressure Pa	Sound Level dB(A)
PG3N300B2E-TN0	BE72EC	BALL	230	50/60	1.1	150	1920	2400	160	66

EC Axial Fan $\varnothing 360 \times 106.5 \text{mm}$



Axial Fans

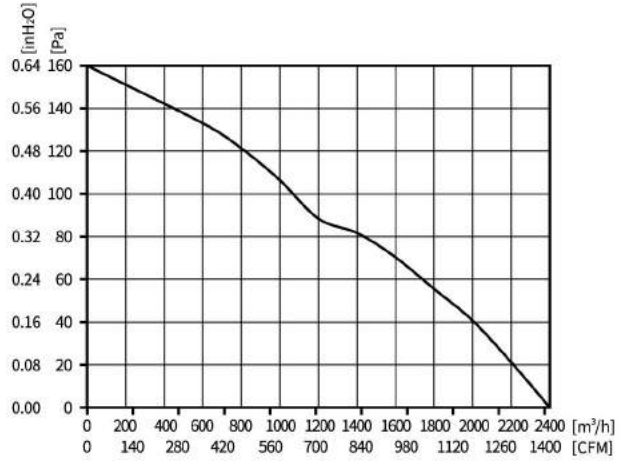
Motor Type EC BRUSHLESS EXTERNAL ROTOR MOTOR	Speed Control 0-10VDC/PWM	Protection Type IP55	Insulation Class B	Operating Temperature -25°C ~ +60°C	Weight 3.2KG	Wiring Mode E1
---	------------------------------	-------------------------	-----------------------	--	-----------------	-------------------



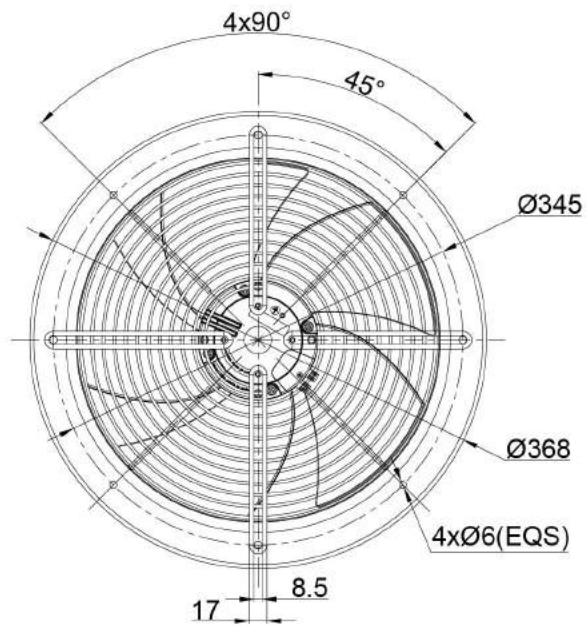
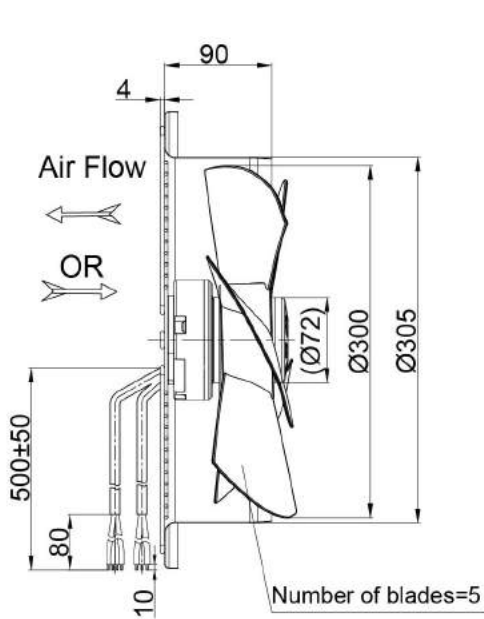
Model	Motor	Bearing System	Rated Voltage	Frequency	Rated Current	Rated Power	Rated Speed	Air Flow	Air Pressure	Sound Level
Part No.	Type	B/S	VAC	Hz	A	W	RPM	M ³ /H	Pa	dB(A)
PG3N300B2E-TZ0	BE72EC	BALL	230	50/60	1.1	150	1920	2400	160	66

EC Axial Fan $\varnothing 368 \times 90 \text{mm}$

Axial Fans

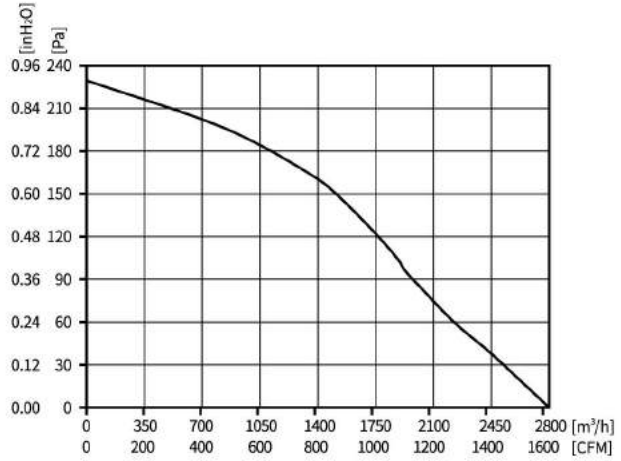


Motor Type EC BRUSHLESS EXTERNAL ROTOR MOTOR	Speed Control 0-10VDC/PWM	Protection Type IP55	Insulation Class B	Operating Temperature -25°C ~ +60°C	Weight 3.4KG	Wiring Mode E1
---	------------------------------	-------------------------	-----------------------	--	-----------------	-------------------



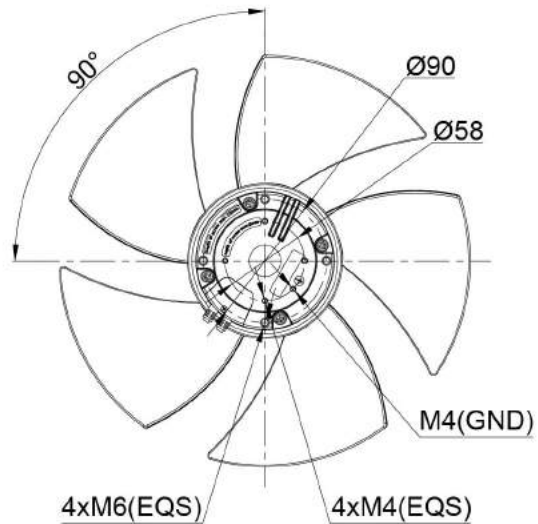
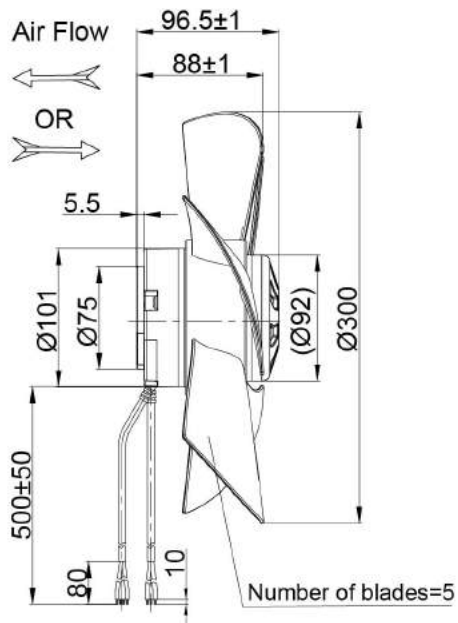
Model Part No.	Motor Type	Bearing System B/S	Rated Voltage VAC	Frequency Hz	Rated Current A	Rated Power W	Rated Speed RPM	Air Flow M³/H	Air Pressure Pa	Sound Level dB(A)
PW3N300B2E-TZ0	BE72EC	BALL	230	50/60	1.1	150	1920	2400	160	66

EC Axial Fan $\varnothing 300 \times 96.5 \text{mm}$



Axial Fans

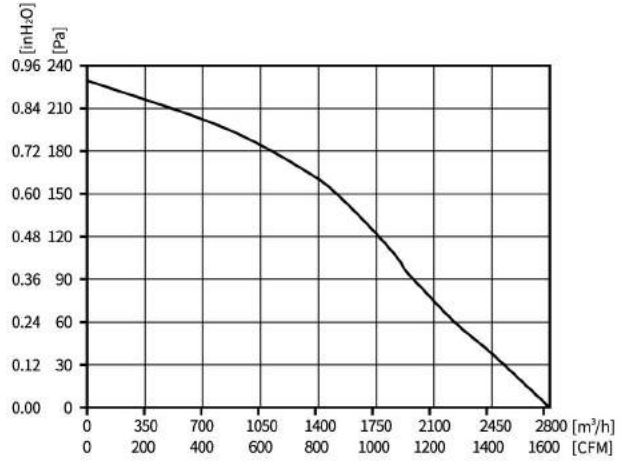
Motor Type EC BRUSHLESS EXTERNAL ROTOR MOTOR	Speed Control 0-10VDC/PWM	Protection Type IP55	Insulation Class B	Operating Temperature -25°C ~ +60°C	Weight 2.8KG	Wiring Mode E2
---	------------------------------	-------------------------	-----------------------	--	-----------------	-------------------



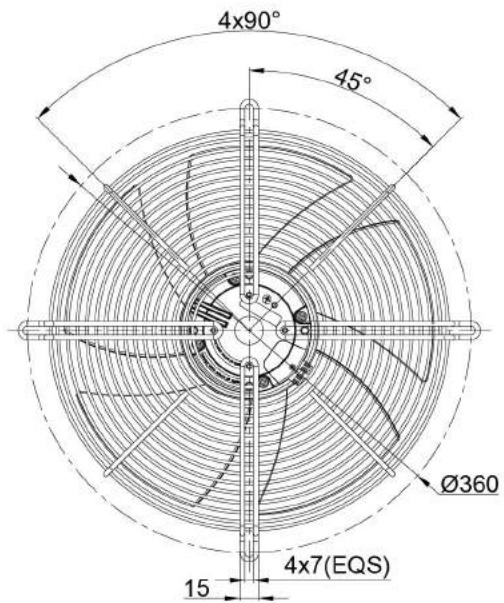
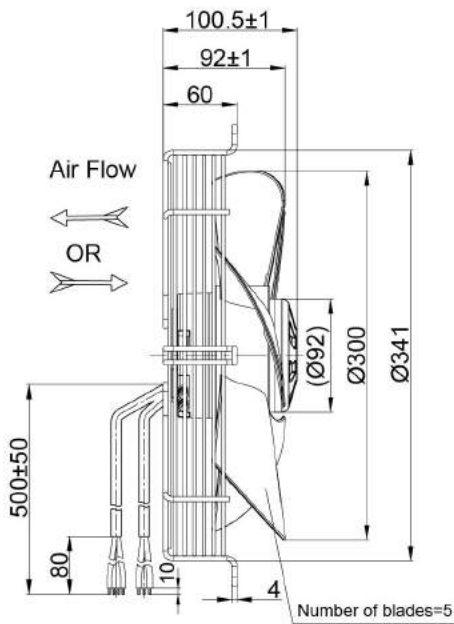
Model	Motor	Bearing System	Rated Voltage	Frequency	Rated Current	Rated Power	Rated Speed	Air Flow	Air Pressure	Sound Level
Part No.	Type	B/S	VAC	Hz	A	W	RPM	M³/H	Pa	dB(A)
PG3N300B2E-MN0	BE92EC	BALL	230	50/60	1.5	220	2200	2800	230	68

EC Axial Fan $\varnothing 360 \times 100.5 \text{mm}$

Axial Fans

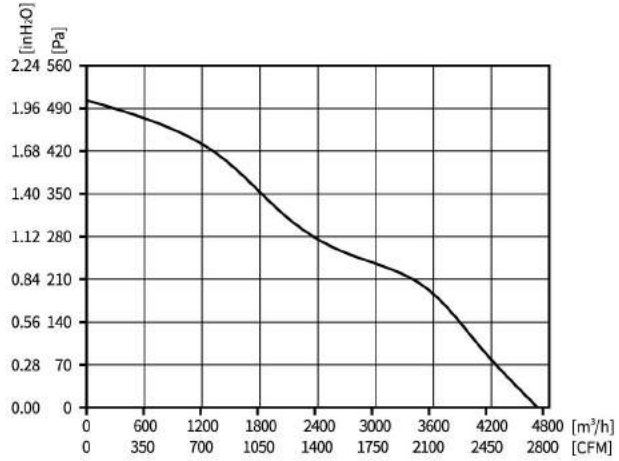


Motor Type EC BRUSHLESS EXTERNAL ROTOR MOTOR	Speed Control 0-10VDC/PWM	Protection Type IP55	Insulation Class B	Operating Temperature -25°C ~ +60°C	Weight 4.0KG	Wiring Mode E2
---	------------------------------	-------------------------	-----------------------	--	-----------------	-------------------



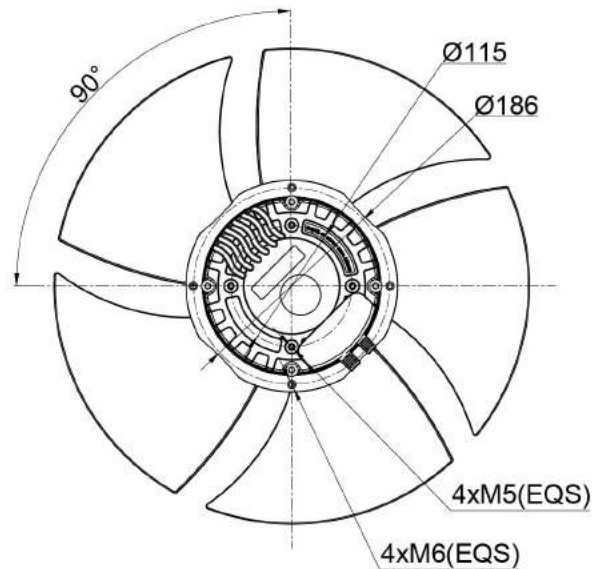
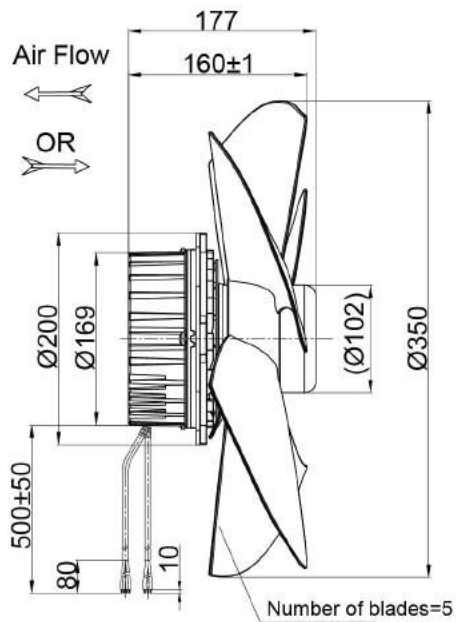
Model	Motor	Bearing System	Rated Voltage	Frequency	Rated Current	Rated Power	Rated Speed	Air Flow	Air Pressure	Sound Level
Part No.	Type	B/S	VAC	Hz	A	W	RPM	M ³ /H	Pa	dB(A)
PG3N300B2E-MZ0	BE92EC	BALL	230	50/60	1.5	220	2200	2800	230	68

EC Axial Fan $\varnothing 350 \times 177 \text{mm}$



Axial Fans

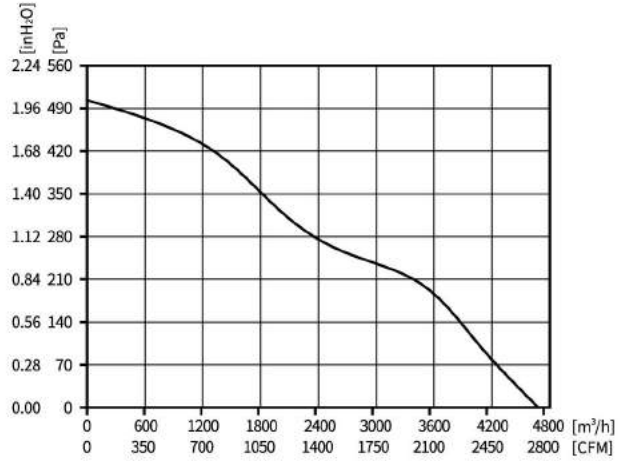
Motor Type EC BRUSHLESS EXTERNAL ROTOR MOTOR	Speed Control 0-10VDC/PWM	Protection Type IP55	Insulation Class F	Operating Temperature -25°C ~ +60°C	Weight 6.1KG	Wiring Mode E3
---	------------------------------	-------------------------	-----------------------	--	-----------------	-------------------



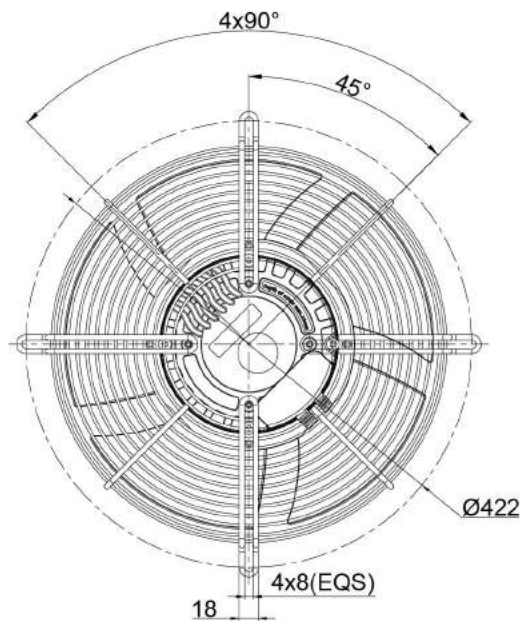
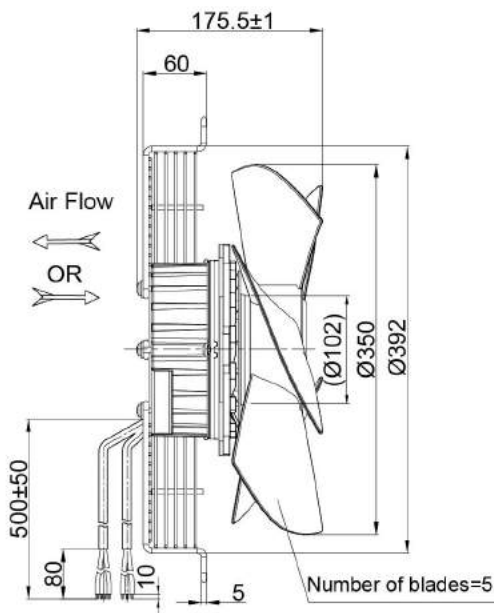
Model	Motor	Bearing System	Rated Voltage	Frequency	Rated Current	Rated Power	Rated Speed	Air Flow	Air Pressure	Sound Level
Part No.	Type	B/S	VAC	Hz	A	W	RPM	M ³ /H	Pa	dB(A)
PG3N350B2E-ZN5	BE102EC	BALL	230	50/60	3.1	700	2500	4700	500	69

EC Axial Fan $\varnothing 422 \times 175.5 \text{mm}$

Axial Fans

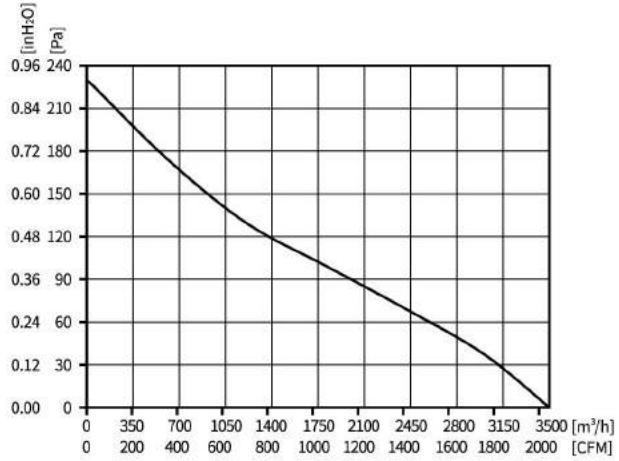


Motor Type EC BRUSHLESS EXTERNAL ROTOR MOTOR	Speed Control 0-10VDC/PWM	Protection Type IP55	Insulation Class F	Operating Temperature -25°C ~ +60°C	Weight 8.0KG	Wiring Mode E3
---	------------------------------	-------------------------	-----------------------	--	-----------------	-------------------



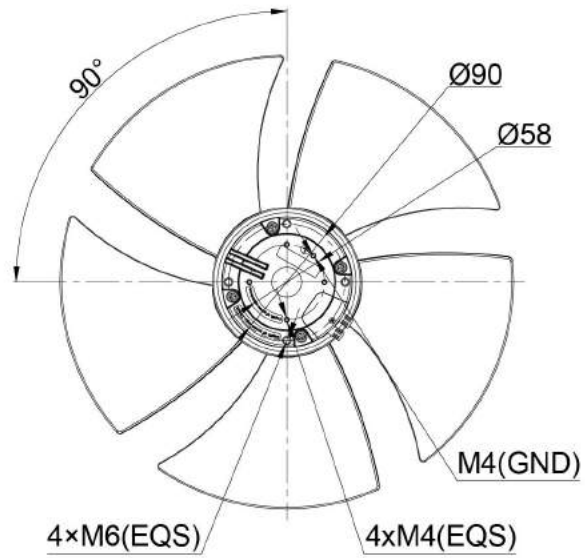
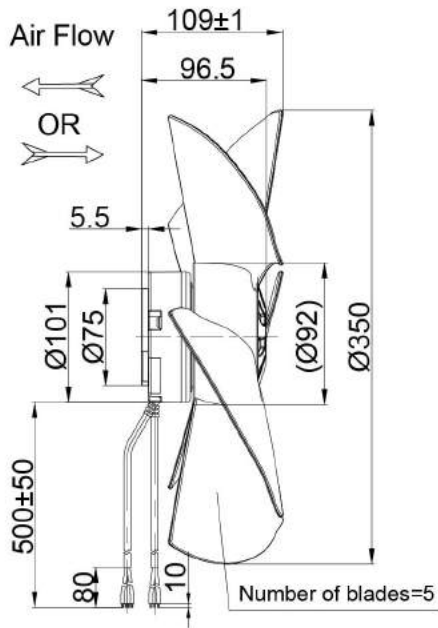
Model	Motor	Bearing System	Rated Voltage	Frequency	Rated Current	Rated Power	Rated Speed	Air Flow	Air Pressure	Sound Level
Part No.	Type	B/S	VAC	Hz	A	W	RPM	M ³ /H	Pa	dB(A)
PG3N350B2E-ZW5	BE102EC	BALL	230	50/60	3.1	700	2500	4700	500	69

EC Axial Fan $\varnothing 350 \times 109 \text{mm}$



Axial Fans

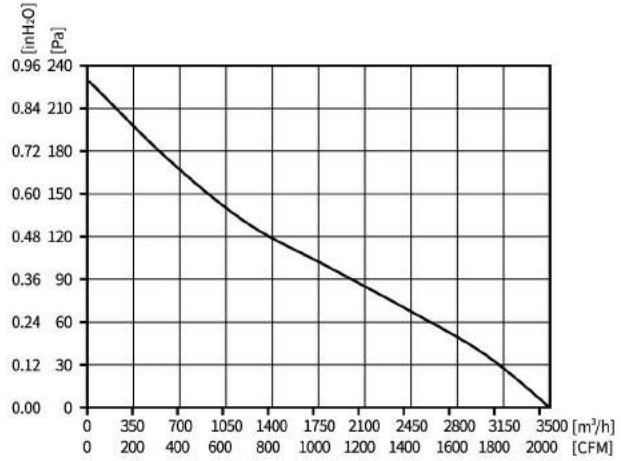
Motor Type EC BRUSHLESS EXTERNAL ROTOR MOTOR	Speed Control 0-10VDC/PWM	Protection Type IP55	Insulation Class B	Operating Temperature -25°C ~ +60°C	Weight 3.65KG	Wiring Mode E2
---	------------------------------	-------------------------	-----------------------	--	------------------	-------------------



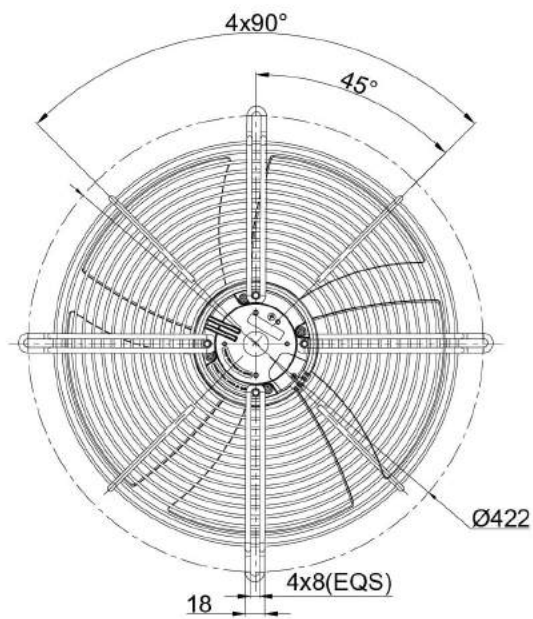
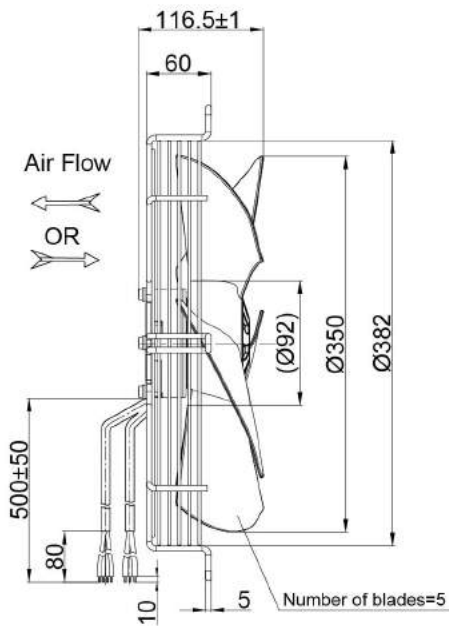
Model	Motor	Bearing System	Rated Voltage	Frequency	Rated Current	Rated Power	Rated Speed	Air Flow	Air Pressure	Sound Level
Part No.	Type	B/S	VAC	Hz	A	W	RPM	M ³ /H	Pa	dB(A)
PG3N350B2E-MN0	BE92EC	BALL	230	50/60	1.5	200	1580	3500	230	67

EC Axial Fan $\varnothing 422 \times 116.5 \text{mm}$

Axial Fans

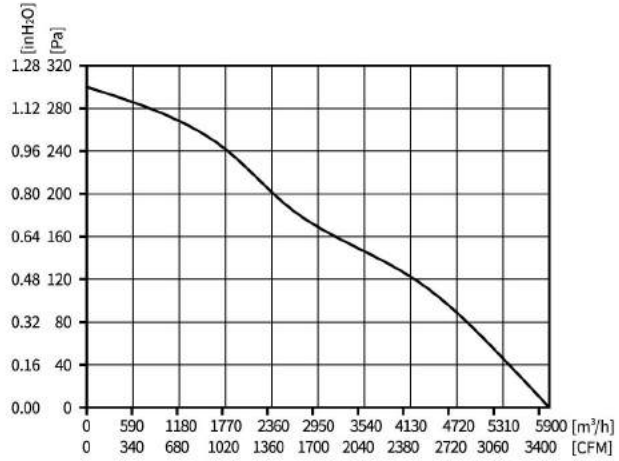


Motor Type EC BRUSHLESS EXTERNAL ROTOR MOTOR	Speed Control \varnothing -10VDC/PWM	Protection Type IP55	Insulation Class B	Operating Temperature -25°C ~ +60°C	Weight 5.5KG	Wiring Mode E2
---	---	-------------------------	-----------------------	--	-----------------	-------------------



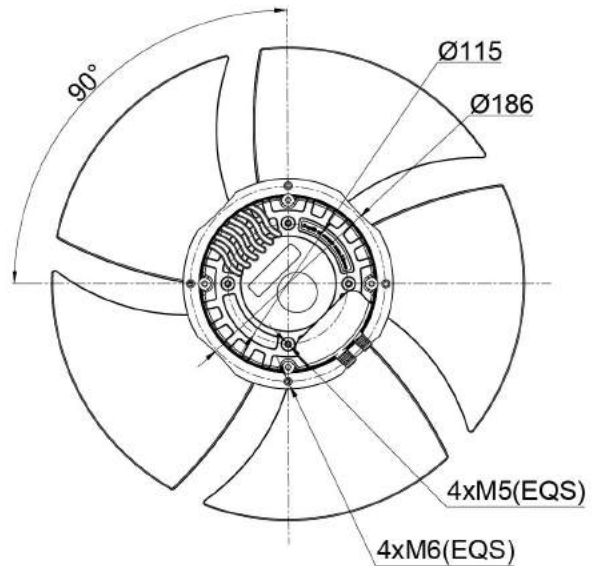
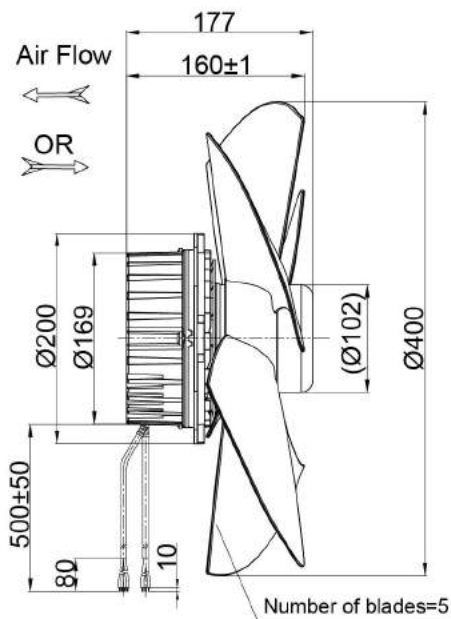
Model Part No.	Motor Type	Bearing System B/S	Rated Voltage VAC	Frequency Hz	Rated Current A	Rated Power W	Rated Speed RPM	Air Flow M ³ /H	Air Pressure Pa	Sound Level dB(A)
PG3N350B2E-MZ0	BE92EC	BALL	230	50/60	1.5	200	1580	3500	230	67

EC Axial Fan $\varnothing 400 \times 177 \text{mm}$



Axial Fans

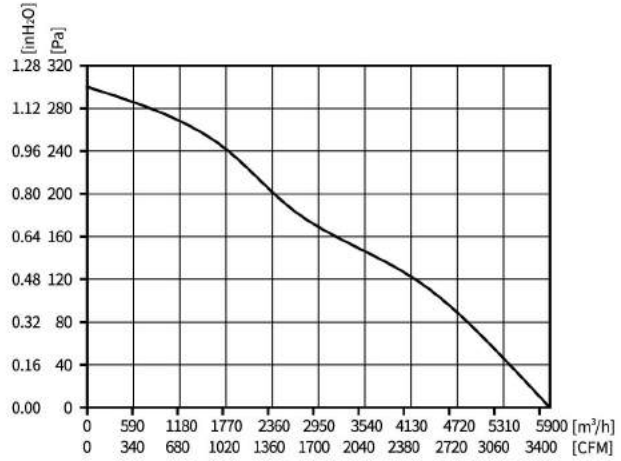
Motor Type EC BRUSHLESS EXTERNAL ROTOR MOTOR	Speed Control 0-10VDC/PWM	Protection Type IP55	Insulation Class F	Operating Temperature -25°C ~ +60°C	Weight 6.4KG	Wiring Mode E3
---	------------------------------	-------------------------	-----------------------	--	-----------------	-------------------



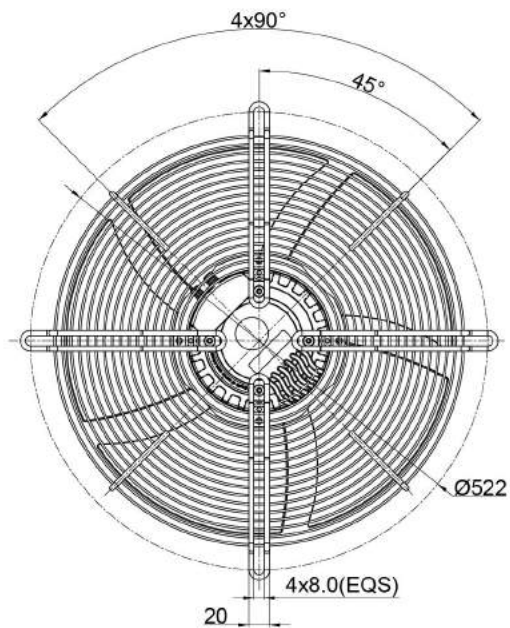
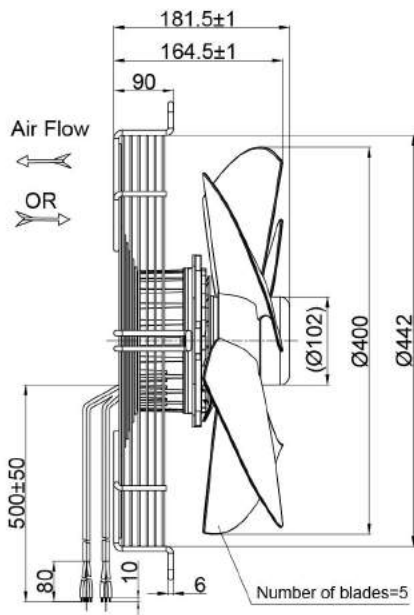
Model	Motor	Bearing System	Rated Voltage	Frequency	Rated Current	Rated Power	Rated Speed	Air Flow	Air Pressure	Sound Level
Part No.	Type	B/S	VAC	Hz	A	W	RPM	M ³ /H	Pa	dB(A)
PG3N400B2E-ZN5	BE102EC	BALL	230	50/60	3.1	700	1800	5900	300	73

EC Axial Fan $\varnothing 522 \times 181.5 \text{mm}$

Axial Fans

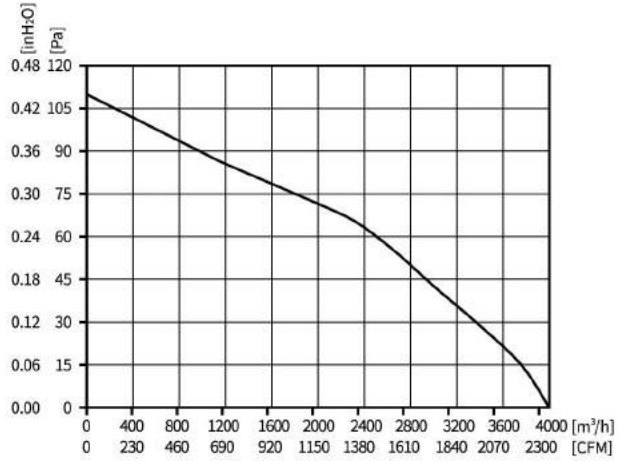


Motor Type EC BRUSHLESS EXTERNAL ROTOR MOTOR	Speed Control 0-10VDC/PWM	Protection Type IP55	Insulation Class F	Operating Temperature -25°C ~ +60°C	Weight 8.5KG	Wiring Mode E3
---	------------------------------	-------------------------	-----------------------	--	-----------------	-------------------



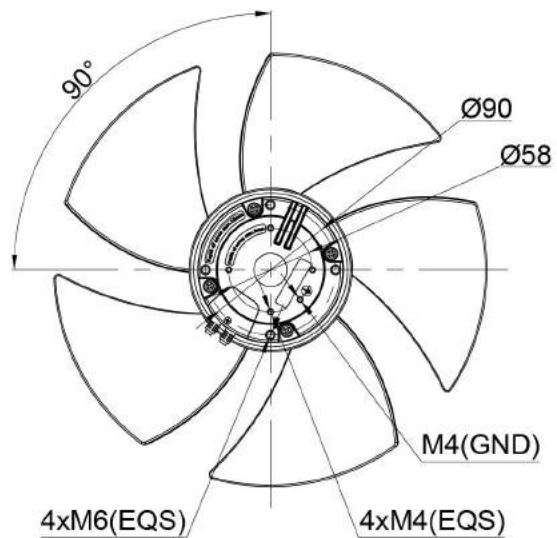
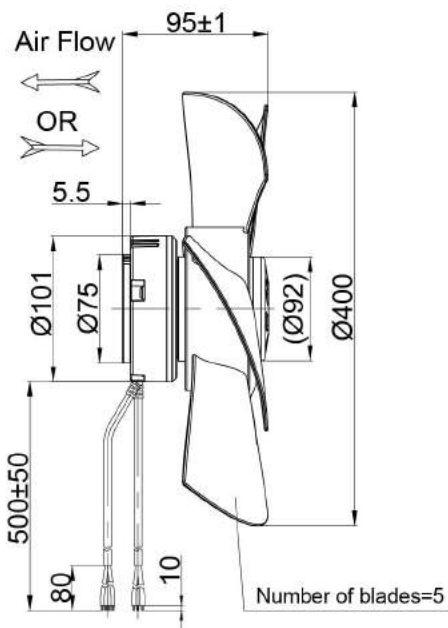
Model	Motor	Bearing System	Rated Voltage	Frequency	Rated Current	Rated Power	Rated Speed	Air Flow	Air Pressure	Sound Level
Part No.	Type	B/S	VAC	Hz	A	W	RPM	M ³ /H	Pa	dB(A)
PG3N400B2E-ZW5	BE102EC	BALL	230	50/60	3.1	700	1800	5900	300	73

EC Axial Fan $\varnothing 400 \times 95 \text{mm}$



Axial Fans

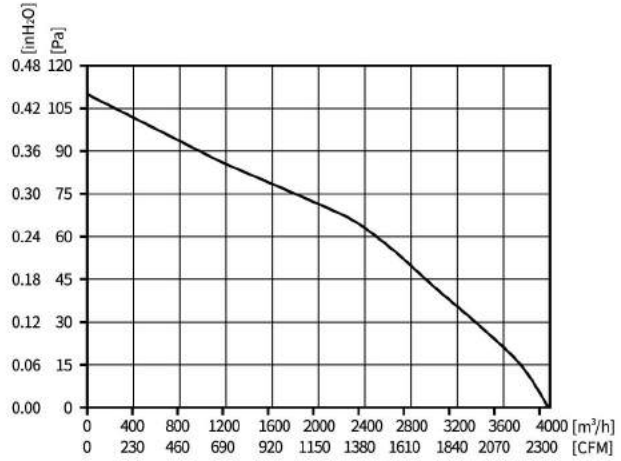
Motor Type EC BRUSHLESS EXTERNAL ROTOR MOTOR	Speed Control 0-10VDC/PWM	Protection Type IP55	Insulation Class B	Operating Temperature -25°C ~ +60°C	Weight 3.9KG	Wiring Mode E2
---	------------------------------	-------------------------	-----------------------	--	-----------------	-------------------



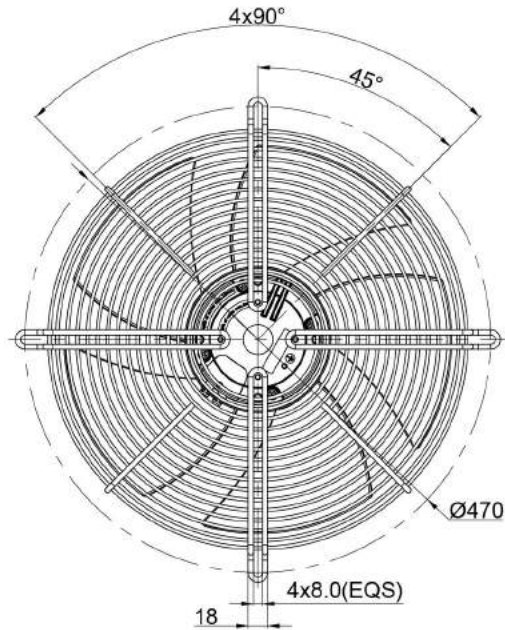
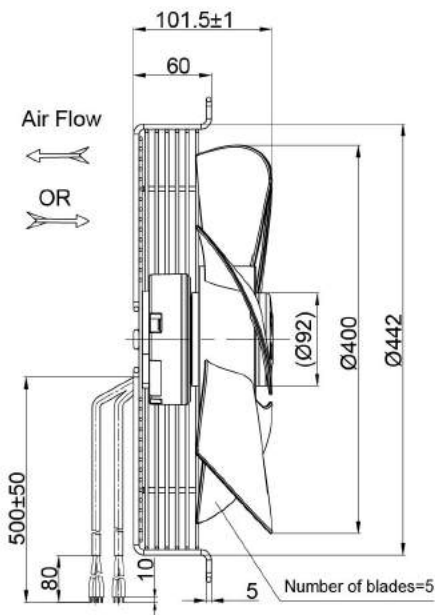
Model	Motor	Bearing System	Rated Voltage	Frequency	Rated Current	Rated Power	Rated Speed	Air Flow	Air Pressure	Sound Level
Part No.	Type	B/S	VAC	Hz	A	W	RPM	M ³ /H	Pa	dB(A)
PG3N400B2E-MN0	BE92EC	BALL	230	50/60	1.25	170	1200	4000	110	68

EC Axial Fan $\varnothing 470 \times 101.5 \text{mm}$

Axial Fans

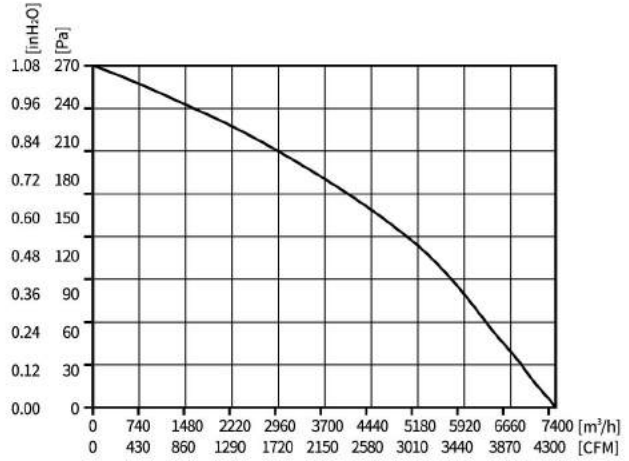


Motor Type	Speed Control	Protection Type	Insulation Class	Operating Temperature	Weight	Wiring Mode
EC BRUSHLESS EXTERNAL ROTOR MOTOR	0-10VDC/PWM	IP55	B	-25°C ~ +60°C	6.5KG	E2



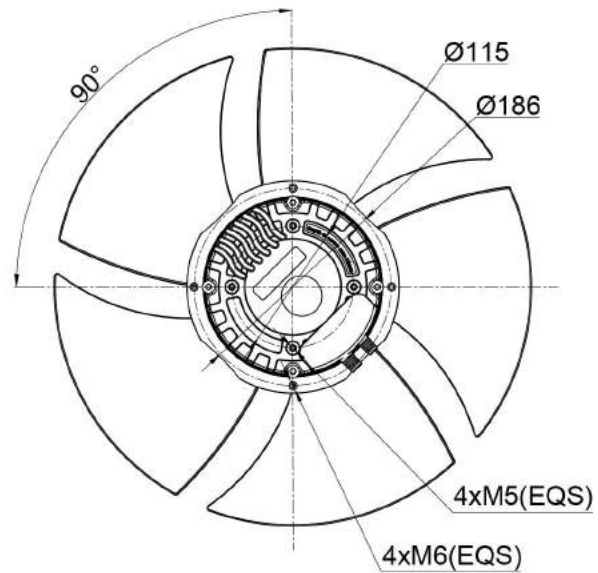
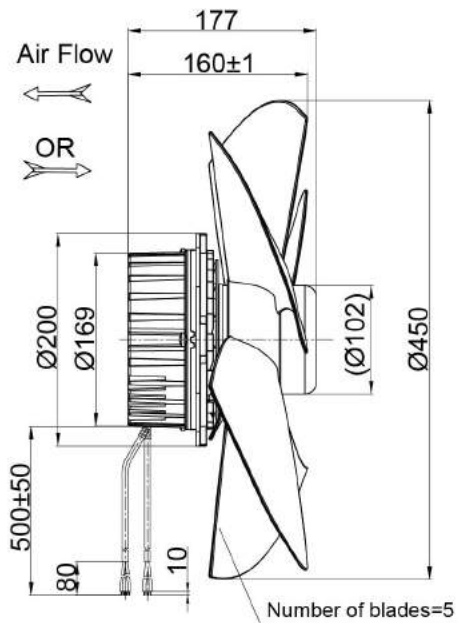
Model	Motor	Bearing System	Rated Voltage	Frequency	Rated Current	Rated Power	Rated Speed	Air Flow	Air Pressure	Sound Level
Part No.	Type	B/S	VAC	Hz	A	W	RPM	M³/H	Pa	dB(A)
PG3N400B2E-MZ0	BE92EC	BALL	230	50/60	1.25	170	1200	4000	110	68

EC Axial Fan $\varnothing 450 \times 177 \text{mm}$



Axial Fans

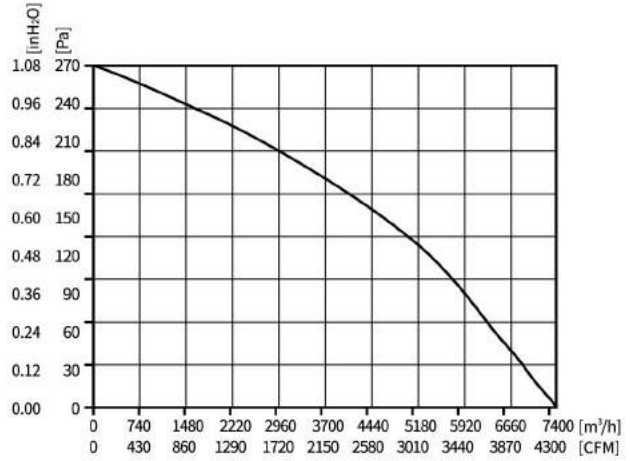
Motor Type EC BRUSHLESS EXTERNAL ROTOR MOTOR	Speed Control 0-10VDC/PWM	Protection Type IP55	Insulation Class F	Operating Temperature -25°C ~ +60°C	Weight 6.5KG	Wiring Mode E3
---	------------------------------	-------------------------	-----------------------	--	-----------------	-------------------



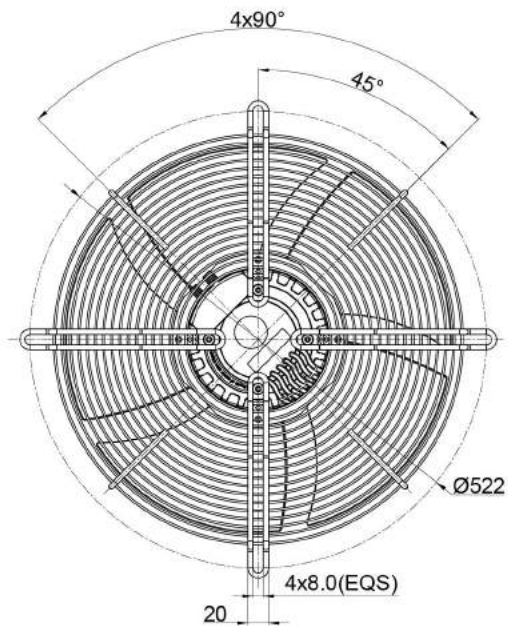
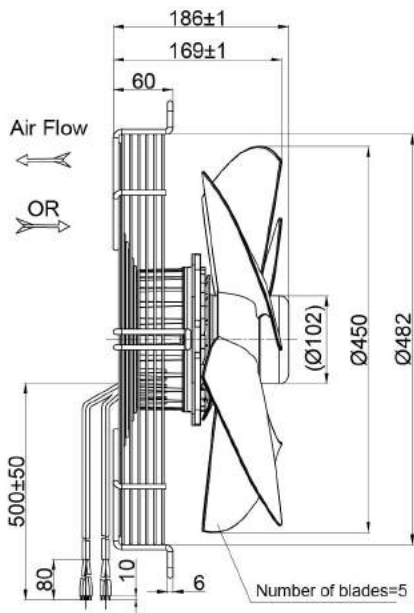
Model	Motor	Bearing System	Rated Voltage	Frequency	Rated Current	Rated Power	Rated Speed	Air Flow	Air Pressure	Sound Level
Part No.	Type	B/S	VAC	Hz	A	W	RPM	M ³ /H	Pa	dB(A)
PG3N450B2E-ZN5	BE102EC	BALL	230	50/60	1.7	380	1400	7400	270	75

EC Axial Fan $\varnothing 522 \times 186 \text{mm}$

Axial Fans

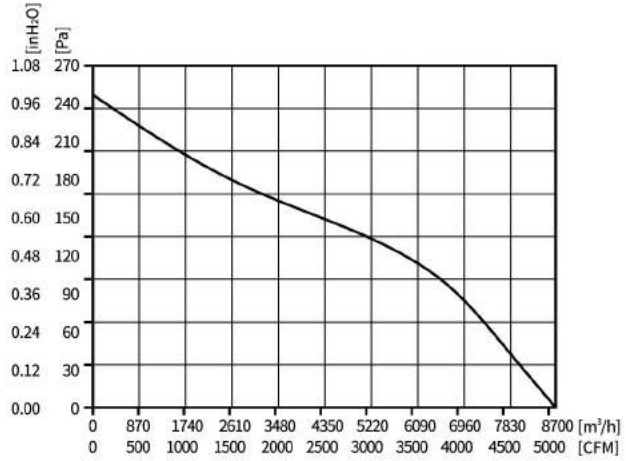


Motor Type EC BRUSHLESS EXTERNAL ROTOR MOTOR	Speed Control 0-10VDC/PWM	Protection Type IP55	Insulation Class F	Operating Temperature -25°C ~ +60°C	Weight 8.0KG	Wiring Mode E3
---	------------------------------	-------------------------	-----------------------	--	-----------------	-------------------



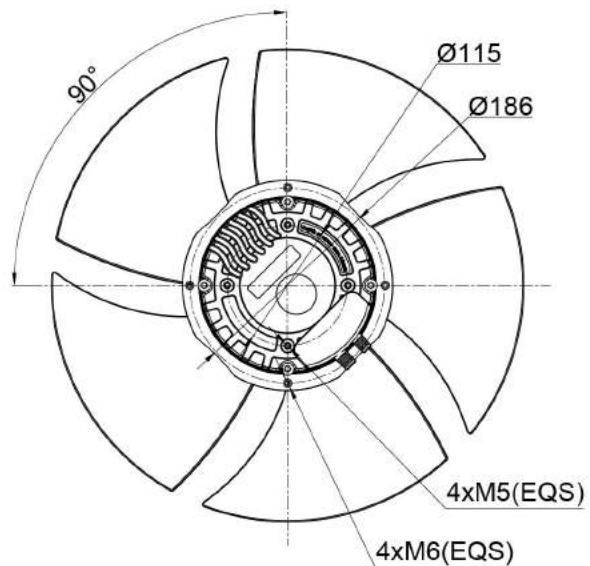
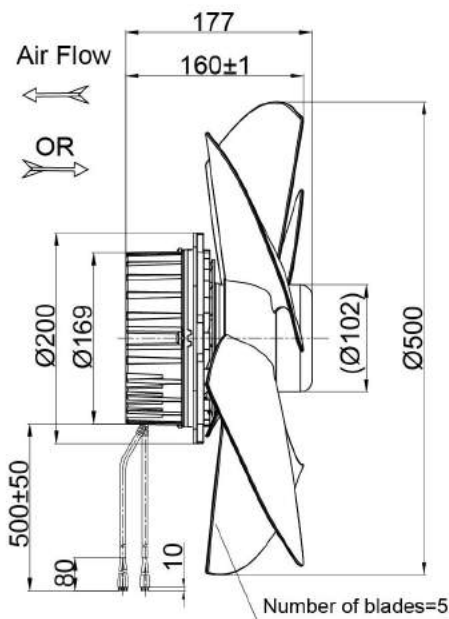
Model Part No.	Motor Type	Bearing System B/S	Rated Voltage VAC	Frequency Hz	Rated Current A	Rated Power W	Rated Speed RPM	Air Flow M ³ /H	Air Pressure Pa	Sound Level dB(A)
PG3N450B2E-ZW5	BE102EC	BALL	230	50/60	1.7	380	1400	7400	270	75

EC Axial Fan $\varnothing 500 \times 177 \text{mm}$



Axial Fans

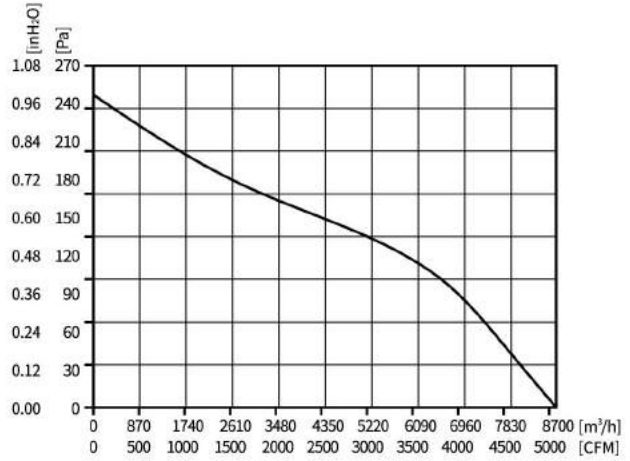
Motor Type EC BRUSHLESS EXTERNAL ROTOR MOTOR	Speed Control 0-10VDC/PWM	Protection Type IP55	Insulation Class F	Operating Temperature -25°C ~ +60°C	Weight 6.9KG	Wiring Mode E3
---	------------------------------	-------------------------	-----------------------	--	-----------------	-------------------



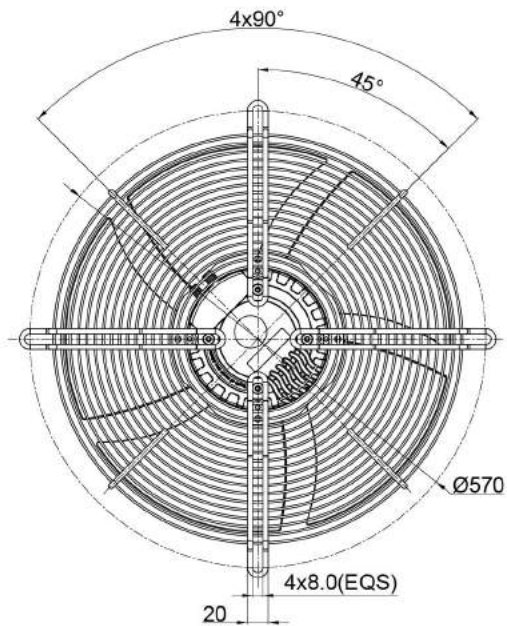
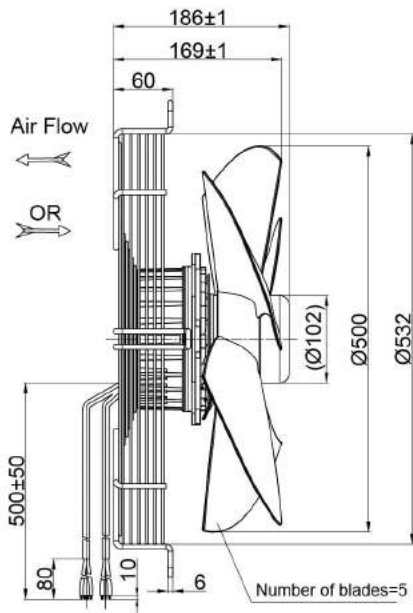
Model	Motor	Bearing System	Rated Voltage	Frequency	Rated Current	Rated Power	Rated Speed	Air Flow	Air Pressure	Sound Level
Part No.	Type	B/S	VAC	Hz	A	W	RPM	M ³ /H	Pa	dB(A)
PG3N500B2E-ZN5	BE102EC	BALL	230	50/60	3.1	700	1550	8700	250	71

EC Axial Fan $\varnothing 570 \times 186 \text{mm}$

Axial Fans



Motor Type	Speed Control	Protection Type	Insulation Class	Operating Temperature	Weight	Wiring Mode
EC BRUSHLESS EXTERNAL ROTOR MOTOR	0-10VDC/PWM	IP55	F	-25°C ~ +60°C	8.1KG	E3



Model	Motor	Bearing System	Rated Voltage	Frequency	Rated Current	Rated Power	Rated Speed	Air Flow	Air Pressure	Sound Level
Part No.	Type	B/S	VAC	Hz	A	W	RPM	M ³ /H	Pa	dB(A)
PG3N500B2E-ZW5	BE102EC	BALL	230	50/60	3.1	700	1550	8700	250	71