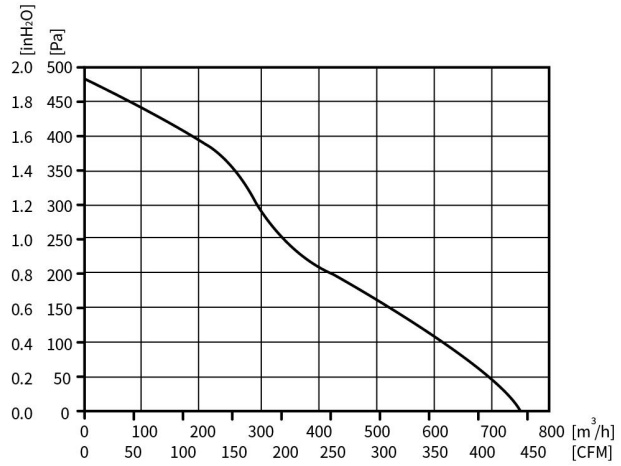
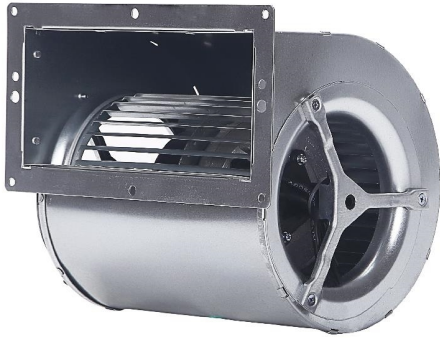
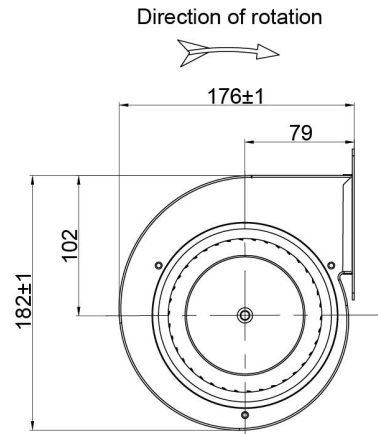
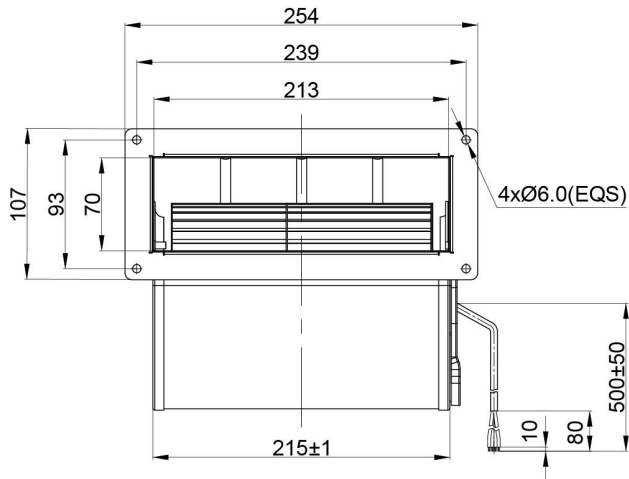


DC Blower Dual Inlet $\varnothing 133 \times 190 \text{mm}$



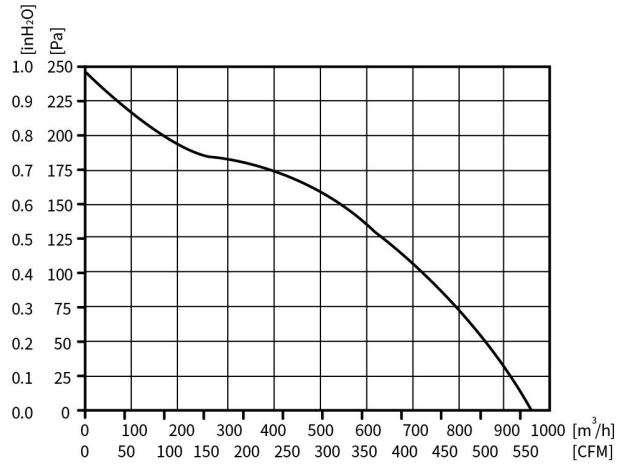
Motor Type DC BRUSHLESS EXTERNAL ROTOR MOTOR	Speed Control 0~10VDC/PWM	Protection Type IP44	Insulation Class B	Operating Temperature -25°C~+60°C	Weight 3KG	Wiring Mode D2
---	------------------------------	-------------------------	-----------------------	--------------------------------------	---------------	-------------------



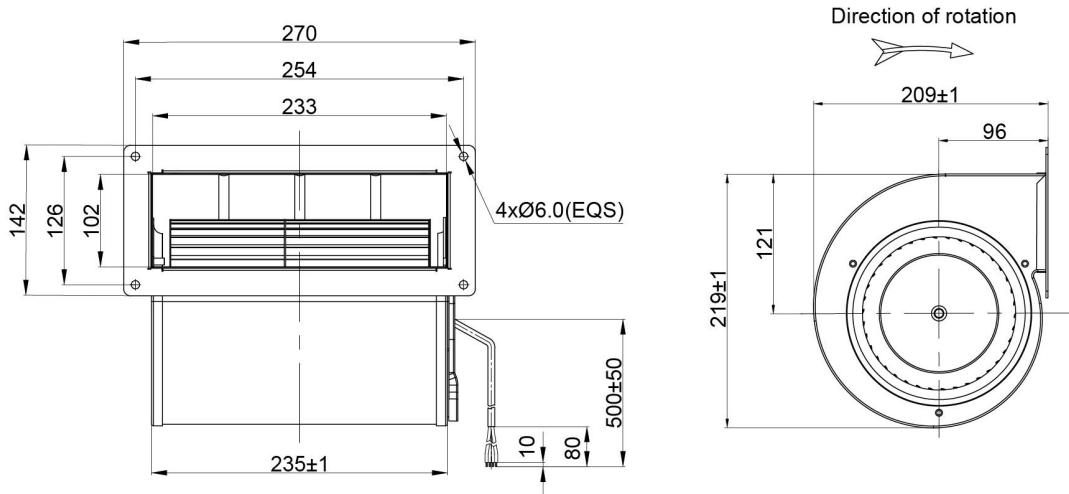
Dual Inlet Blowers

Model	Motor	Bearing System	Rated Voltage	Operating Voltage	Rated Current	Rated Power	Rated Speed	Air Flow	Air Pressure	Sound Level
Part No.	Type	B/S	VDC	VDC	A	W	RPM	M ³ /H	Pa	dB(A)
PD3N133B24U	BE92DC	BALL	24	16~28	6.4	153.6	1780	750	488	62
PD3N133B48U	BE92DC	BALL	48	36~57	3.2	153.6	1780	750	488	62

DC Blower Dual Inlet $\varnothing 146 \times 190 \text{mm}$



Motor Type DC BRUSHLESS EXTERNAL ROTOR MOTOR	Speed Control 0~10VDC/PWM	Protection Type IP44	Insulation Class B	Operating Temperature -25°C~+60°C	Weight 4.5KG	Wiring Mode D2
---	------------------------------	-------------------------	-----------------------	--------------------------------------	-----------------	-------------------



Dual Inlet Blowers

Model	Motor	Bearing System	Rated Voltage	Operating Voltage	Rated Current	Rated Power	Rated Speed	Air Flow	Air Pressure	Sound Level
Part No.	Type	B/S	VDC	VDC	A	W	RPM	M ³ /H	Pa	dB(A)
PD3N146B24H	BE92DC	BALL	24	16~28	6.0	144	1580	960	248	61
PD3N146B48H	BE92DC	BALL	48	36~57	3.0	144	1580	960	248	61