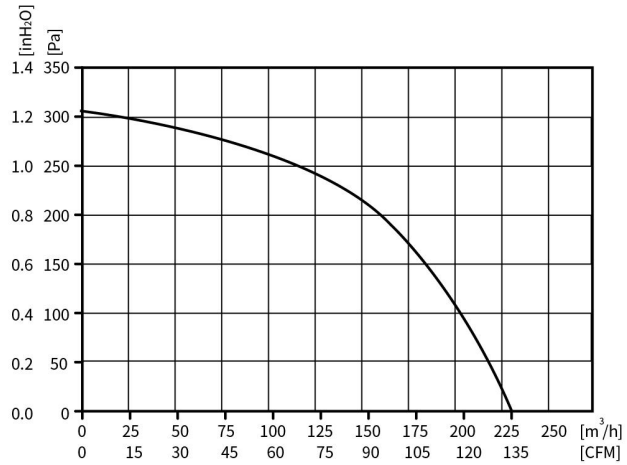
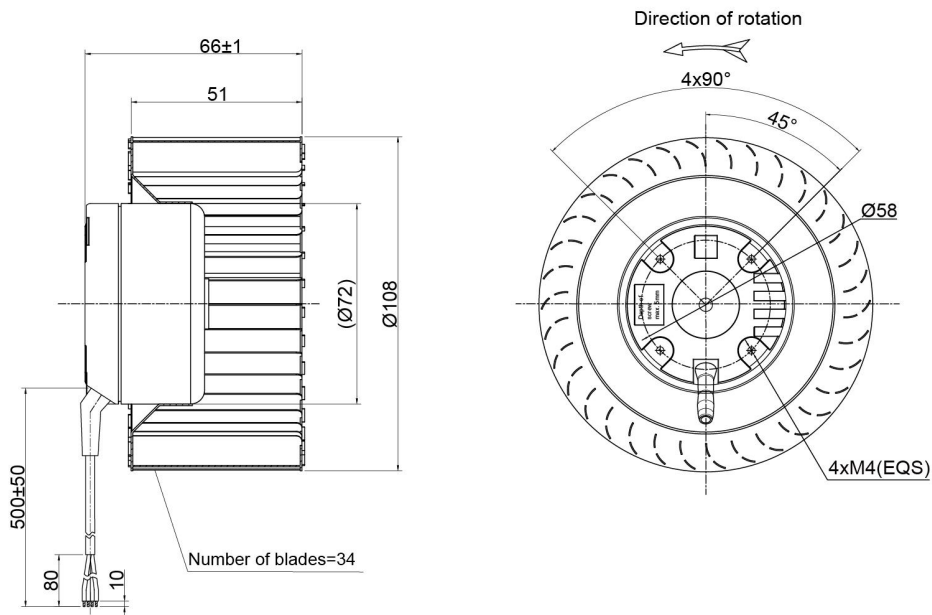


# DC Centrifugal Fan Forward Curved Ø108x66mm



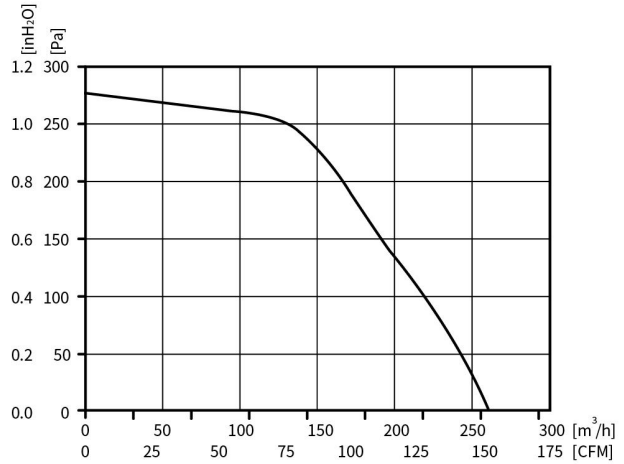
Motor Type DC BRUSHLESS EXTERNAL ROTOR MOTOR	Speed Control 0~10VDC/PWM	Protection Type IP44	Insulation Class B	Operating Temperature -25°C~+60°C	Weight 0.7KG	Wiring Mode D1
---	------------------------------	-------------------------	-----------------------	--------------------------------------	-----------------	-------------------



Model	Motor	Bearing System	Rated Voltage	Operating Voltage	Rated Current	Rated Power	Rated Speed	Air Flow	Air Pressure	Sound Level
Part No.	Type	B/S	VDC	VDC	A	W	RPM	M <sup>3</sup> /H	Pa	dB(A)
PF3N108B24H	BE72DC	BALL	24	16~28	2.0	48	2730	230	304	65
PF3N108B48H	BE72DC	BALL	48	36~57	1.0	48	2730	230	304	65

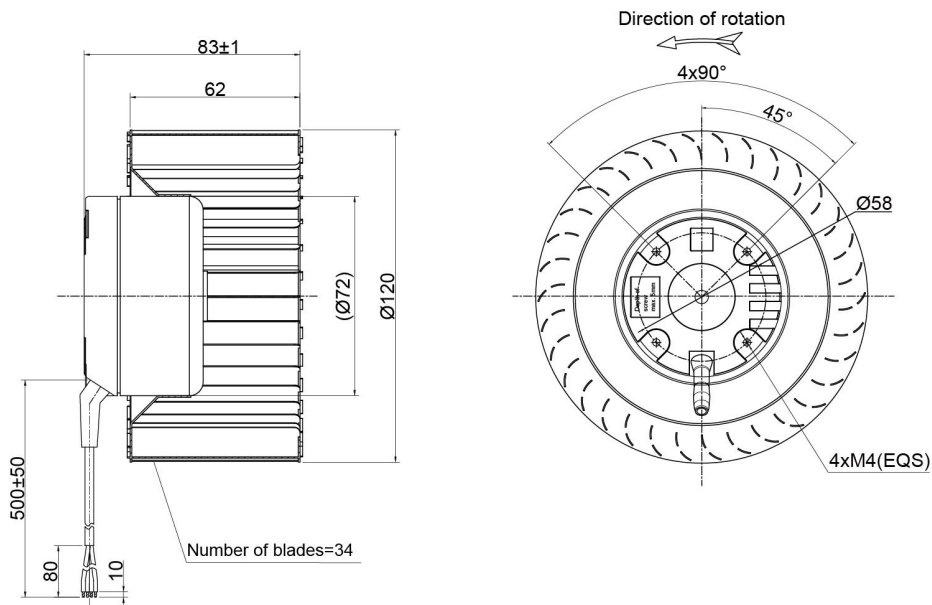
Forward Curved Centrifugal Fans

# DC Centrifugal Fan Forward Curved $\varnothing 120 \times 83 \text{mm}$



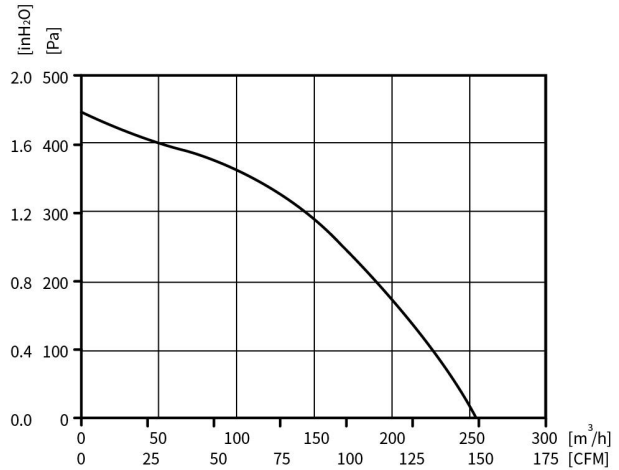
Forward Curved Centrifugal Fans

Motor Type DC BRUSHLESS EXTERNAL ROTOR MOTOR	Speed Control 0~10VDC/PWM	Protection Type IP44	Insulation Class B	Operating Temperature -25°C~+60°C	Weight 0.8KG	Wiring Mode D1
---	------------------------------	-------------------------	-----------------------	--------------------------------------	-----------------	-------------------

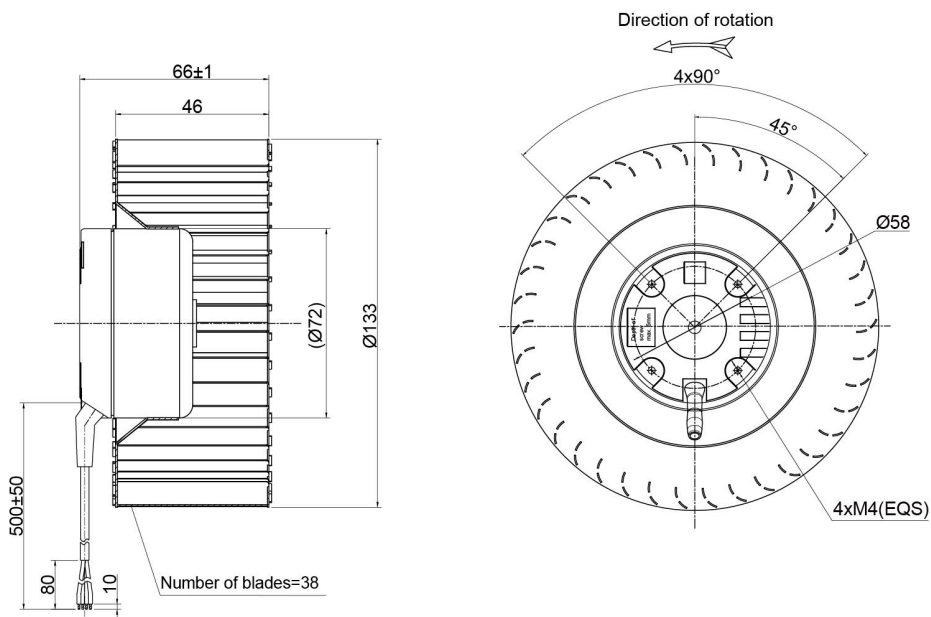


Model	Motor	Bearing System	Rated Voltage	Operating Voltage	Rated Current	Rated Power	Rated Speed	Air Flow	Air Pressure	Sound Level
Part No.	Type	B/S	VDC	VDC	A	W	RPM	M <sup>3</sup> /H	Pa	dB(A)
PF3N120B24M	BE72DC	BALL	24	16~28	2.0	40	2290	260	276	62
PF3N120B48M	BE72DC	BALL	48	36~57	1.0	40	2290	260	276	62

# DC Centrifugal Fan Forward Curved Ø133x66mm



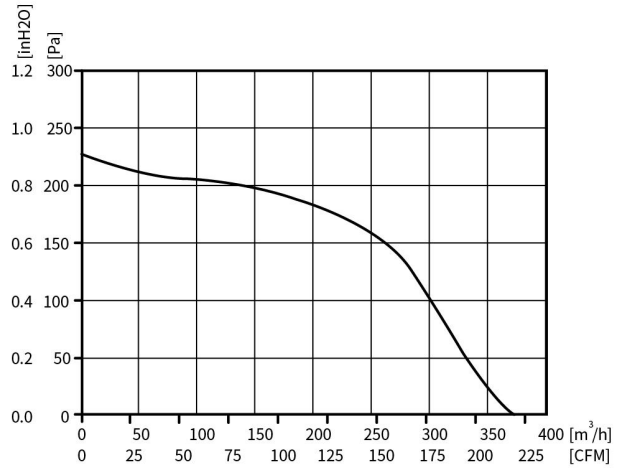
Motor Type DC BRUSHLESS EXTERNAL ROTOR MOTOR	Speed Control 0~10VDC/PWM	Protection Type IP44	Insulation Class B	Operating Temperature -25°C~+60°C	Weight 0.9KG	Wiring Mode D1
---	------------------------------	-------------------------	-----------------------	--------------------------------------	-----------------	-------------------



Model	Motor	Bearing System	Rated Voltage	Operating Voltage	Rated Current	Rated Power	Rated Speed	Air Flow	Air Pressure	Sound Level
Part No.	Type	B/S	VDC	VDC	A	W	RPM	M³/H	Pa	dB(A)
PF3N133B24M	BE72DC	BALL	24	16~28	2.4	57.6	2800	255	445	64
PF3N133B48M	BE72DC	BALL	48	36~57	1.2	57.6	2800	255	445	64

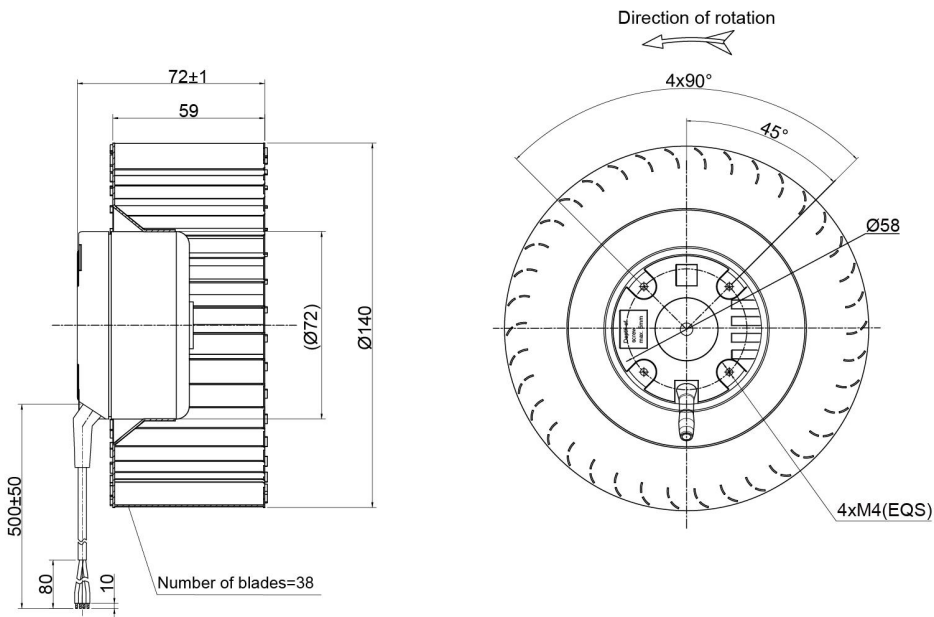
Forward Curved Centrifugal Fans

# DC Centrifugal Fan Forward Curved Ø140x72mm



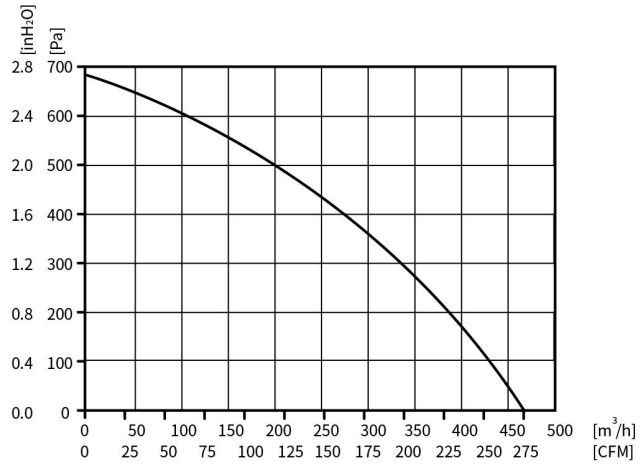
Forward Curved Centrifugal Fans

Motor Type DC BRUSHLESS EXTERNAL ROTOR MOTOR	Speed Control 0~10VDC/PWM	Protection Type IP44	Insulation Class B	Operating Temperature -25°C~+60°C	Weight 1.0KG	Wiring Mode D1
---	------------------------------	-------------------------	-----------------------	--------------------------------------	-----------------	-------------------

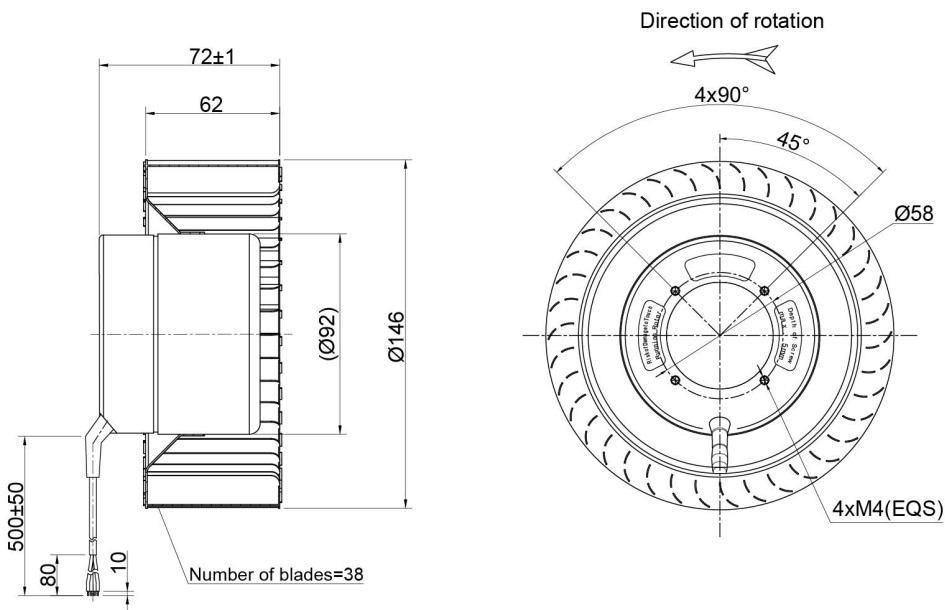


Model	Motor	Bearing System	Rated Voltage	Operating Voltage	Rated Current	Rated Power	Rated Speed	Air Flow	Air Pressure	Sound Level
Part No.	Type	B/S	VDC	VDC	A	W	RPM	M³/H	Pa	dB(A)
PF3N140B24M	BE72DC	BALL	24	16~28	2.0	49	1410	370	227	63
PF3N140B48M	BE72DC	BALL	48	36~57	1.0	49	1410	370	227	63

# DC Centrifugal Fan Forward Curved Ø146x72mm



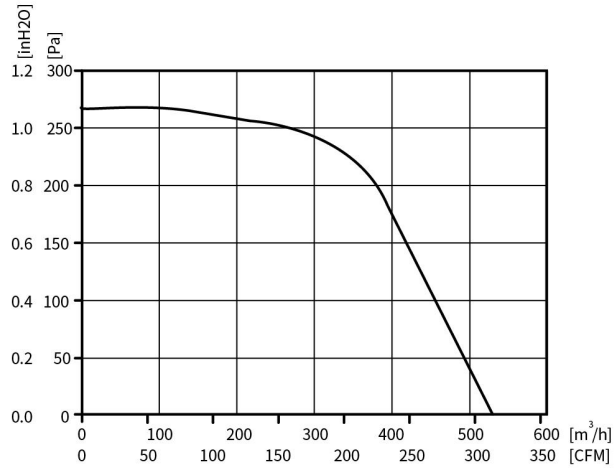
Motor Type DC BRUSHLESS EXTERNAL ROTOR MOTOR	Speed Control 0~10VDC/PWM	Protection Type IP44	Insulation Class B	Operating Temperature -25°C~+60°C	Weight 1.4KG	Wiring Mode D2
---	------------------------------	-------------------------	-----------------------	--------------------------------------	-----------------	-------------------



Model	Motor	Bearing System	Rated Voltage	Operating Voltage	Rated Current	Rated Power	Rated Speed	Air Flow	Air Pressure	Sound Level
Part No.	Type	B/S	VDC	VDC	A	W	RPM	M <sup>3</sup> /H	Pa	dB(A)
PF3N146B24M	BE92DC	BALL	24	16~28	5.0	100	2200	470	684	68
PF3N146B48M	BE92DC	BALL	48	36~57	2.5	100	2200	470	684	68

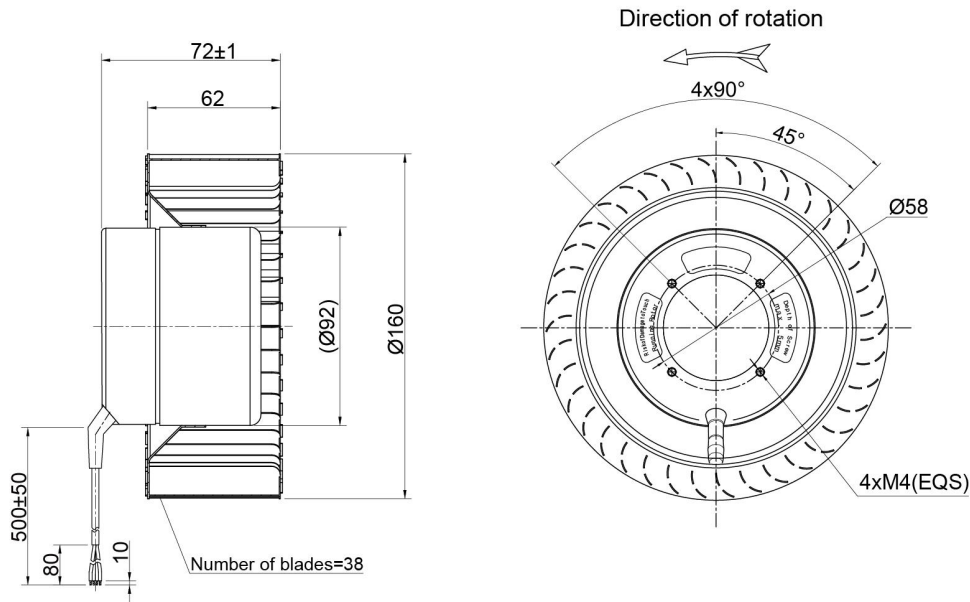
Forward Curved Centrifugal Fans

# DC Centrifugal Fan Forward Curved $\text{\O}160 \times 72 \text{mm}$



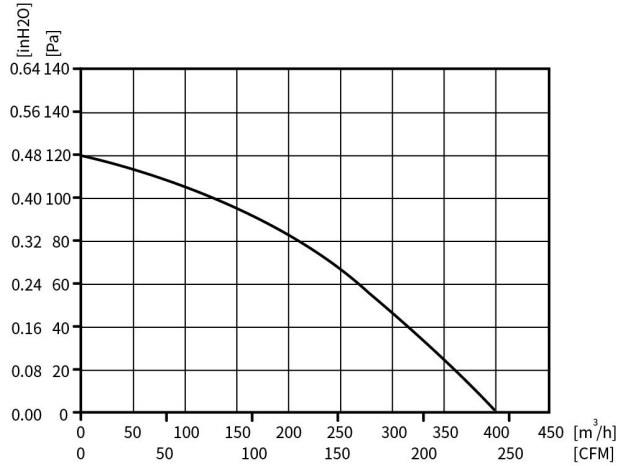
Forward Curved Centrifugal Fans

Motor Type DC BRUSHLESS EXTERNAL ROTOR MOTOR	Speed Control 0~10VDC/PWM	Protection Type IP44	Insulation Class B	Operating Temperature -25°C~+60°C	Weight 1.6KG	Wiring Mode D2
---	------------------------------	-------------------------	-----------------------	--------------------------------------	-----------------	-------------------

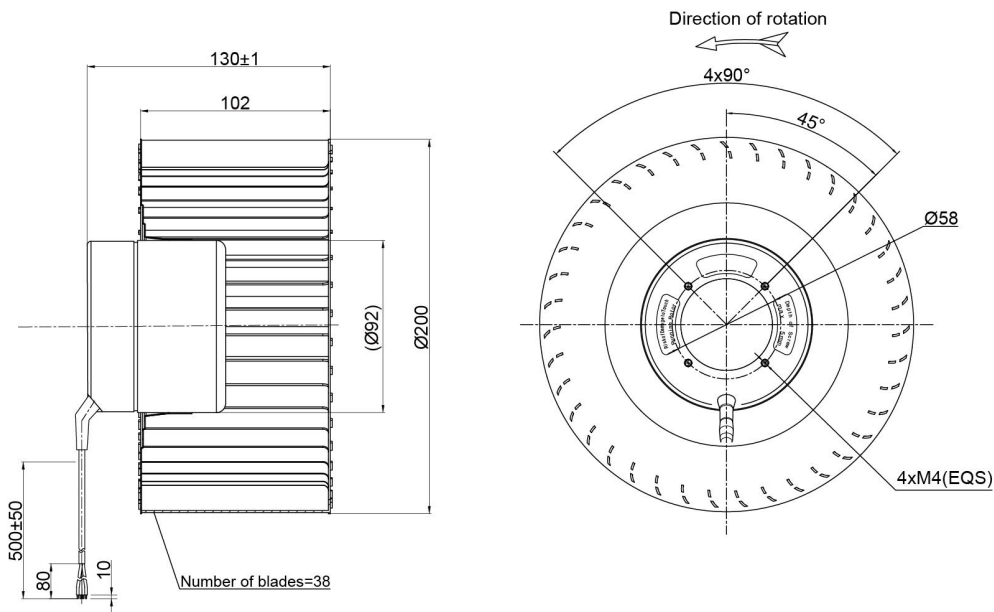


Model	Motor	Bearing System	Rated Voltage	Operating Voltage	Rated Current	Rated Power	Rated Speed	Air Flow	Air Pressure	Sound Level
Part No.	Type	B/S	VDC	VDC	A	W	RPM	M <sup>3</sup> /H	Pa	dB(A)
PF3N160B24M	BE92DC	BALL	24	16~28	3.9	94	1730	530	267	67
PF3N160B48M	BE92DC	BALL	48	36~57	1.9	94	1730	530	267	67

# DC Centrifugal Fan Forward Curved Ø200x130mm



Motor Type DC BRUSHLESS EXTERNAL ROTOR MOTOR	Speed Control 0~10VDC/PWM	Protection Type IP44	Insulation Class B	Operating Temperature -25°C~+60°C	Weight 1.6KG	Wiring Mode D2
---	------------------------------	-------------------------	-----------------------	--------------------------------------	-----------------	-------------------



Model	Motor	Bearing System	Rated Voltage	Operating Voltage	Rated Current	Rated Power	Rated Speed	Air Flow	Air Pressure	Sound Level
Part No.	Type	B/S	VDC	VDC	A	W	RPM	M³/H	Pa	dB(A)
PF3N200B24X	BE92DC	BALL	24	16~28	2.2	52.8	1100	400	120	45
PF3N200B48X	BE92DC	BALL	48	36~57	1.1	52.8	1100	400	120	45

Forward Curved Centrifugal Fans