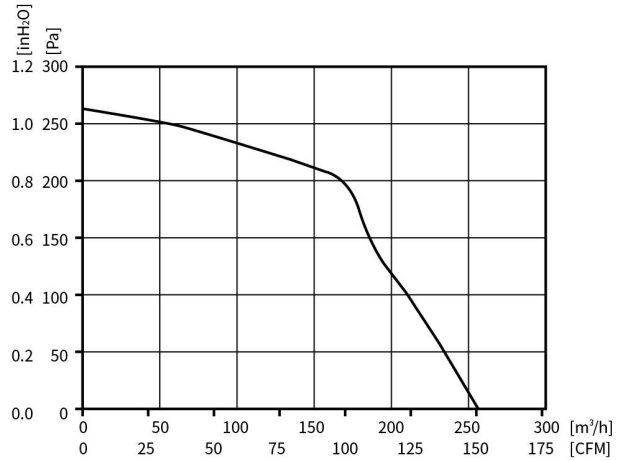
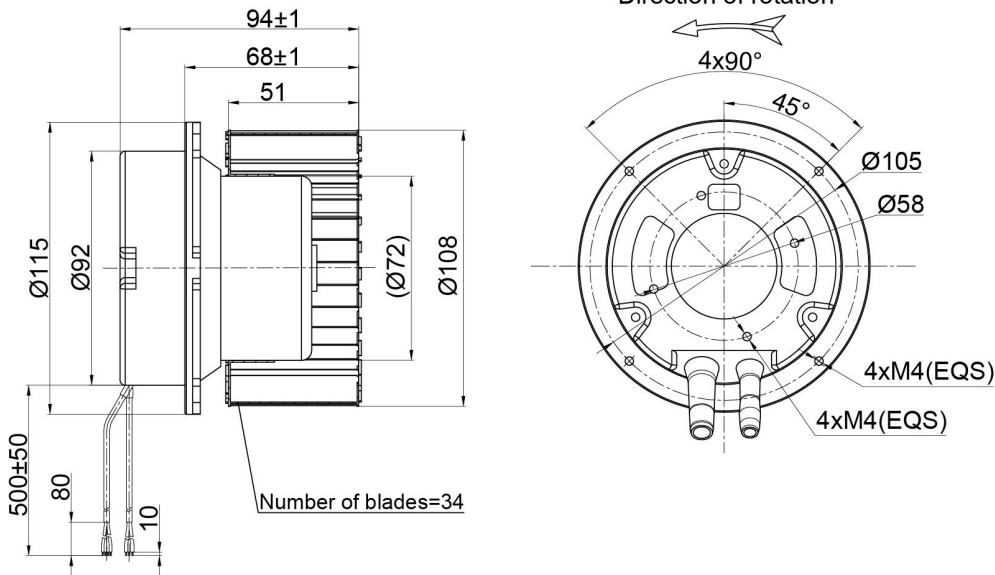


# EC Centrifugal Fan Forward Curved $\text{\O}108 \times 94 \text{mm}$



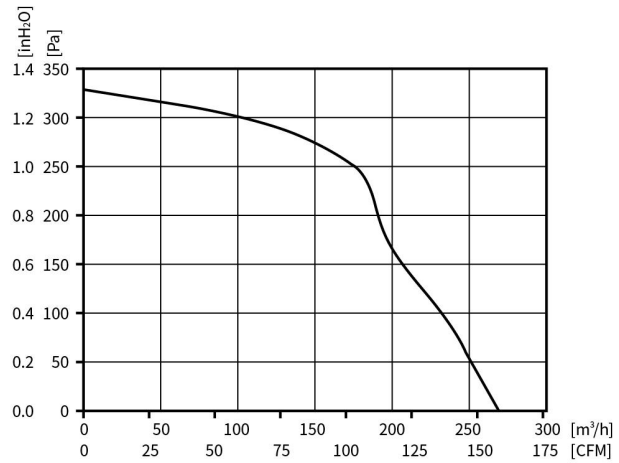
Forward Curved Centrifugal Fans

Motor Type EC BRUSHLESS EXTERNAL ROTOR MOTOR	Speed Control 0-10VDC/PWM	Protection Type IP44	Insulation Class B	Operating Temperature -25°C ~ +60°C	Weight 1KG	Wiring Mode E1
---	------------------------------	-------------------------	-----------------------	--	---------------	-------------------

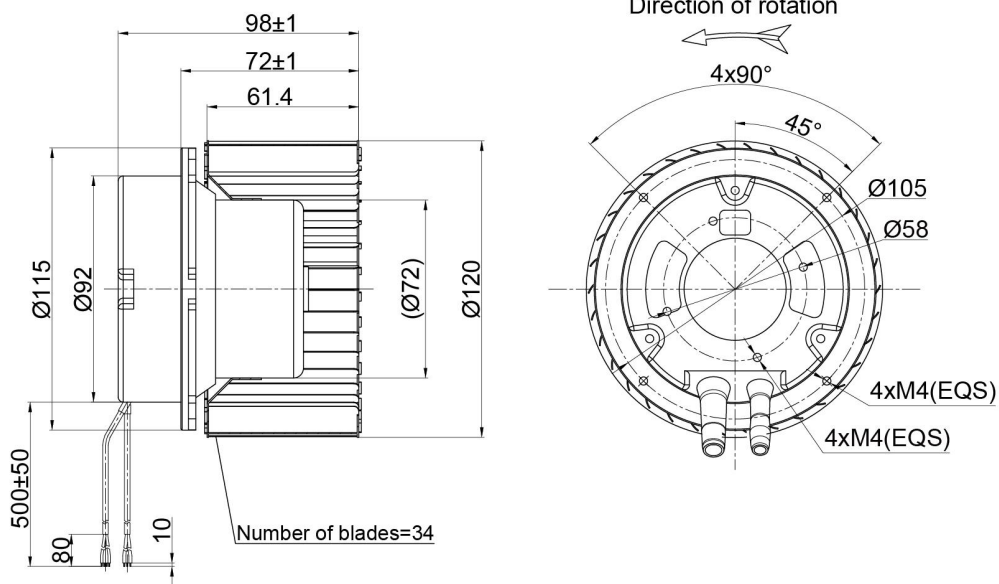


Model	Motor	Bearing System	Rated Voltage	Frequency	Rated Current	Rated Power	Rated Speed	Air Flow	Air Pressure	Sound Level
Part No.	Type	B/S	VAC	Hz	A	W	RPM	M <sup>3</sup> /H	Pa	dB(A)
PF3N108B2EM	BE72EC	BALL	230	50/60	0.43	48	2550	256	261	64

# EC Centrifugal Fan Forward Curved Ø120x98mm



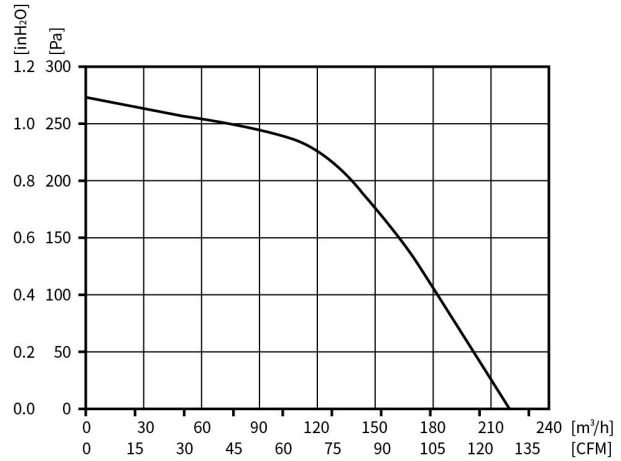
Motor Type EC BRUSHLESS EXTERNAL ROTOR MOTOR	Speed Control 0-10VDC/PWM	Protection Type IP44	Insulation Class B	Operating Temperature -25°C~+60°C	Weight 1.1KG	Wiring Mode E1
---	------------------------------	-------------------------	-----------------------	--------------------------------------	-----------------	-------------------



Model	Motor	Bearing System	Rated Voltage	Frequency	Rated Current	Rated Power	Rated Speed	Air Flow	Air Pressure	Sound Level
Part No.	Type	B/S	VAC	Hz	A	W	RPM	M <sup>3</sup> /H	Pa	dB(A)
PF3N120B2EH	BE72AC	BALL	230	50/60	0.53	61	2488	270	330	65

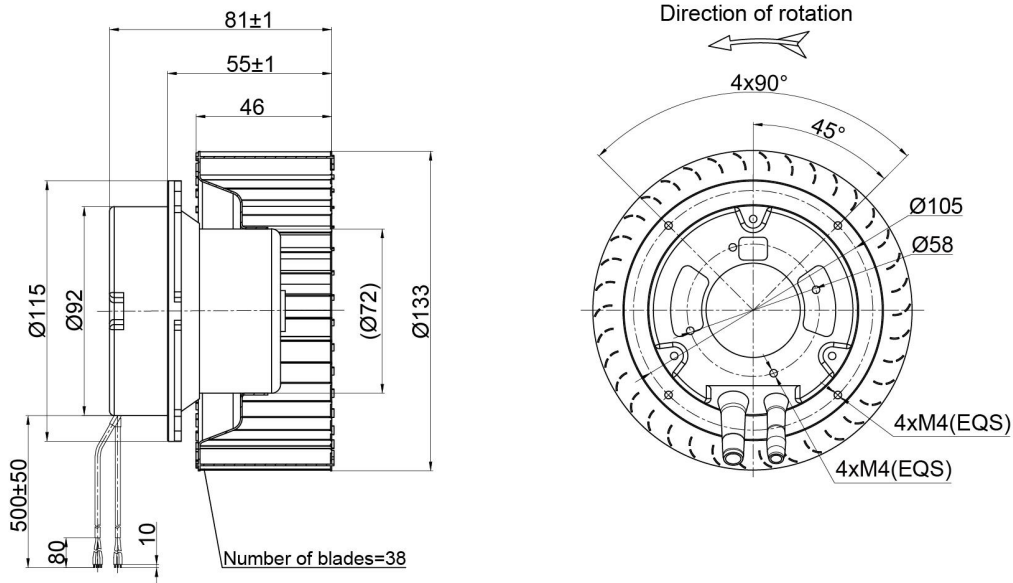
Forward Curved Centrifugal Fans

# EC Centrifugal Fan Forward Curved Ø133x81mm



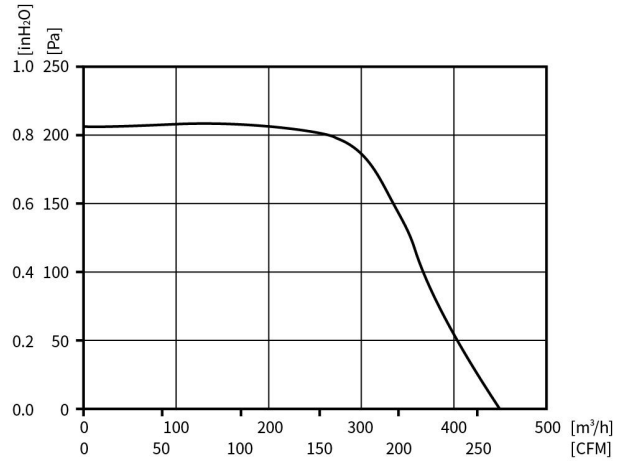
Forward Curved Centrifugal Fans

Motor Type EC BRUSHLESS EXTERNAL ROTOR MOTOR	Speed Control 0-10VDC/PWM	Protection Type IP44	Insulation Class B	Operating Temperature -25°C~+60°C	Weight 1.2KG	Wiring Mode E1
---	------------------------------	-------------------------	-----------------------	--------------------------------------	-----------------	-------------------

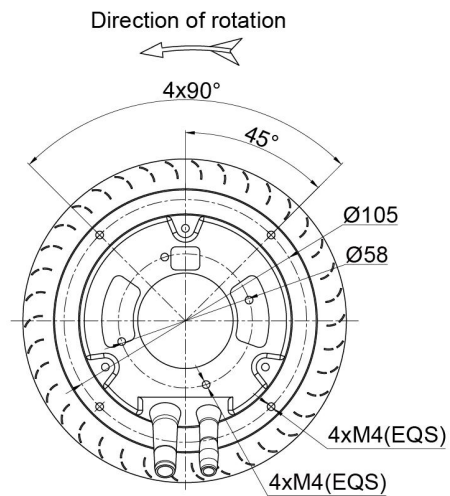
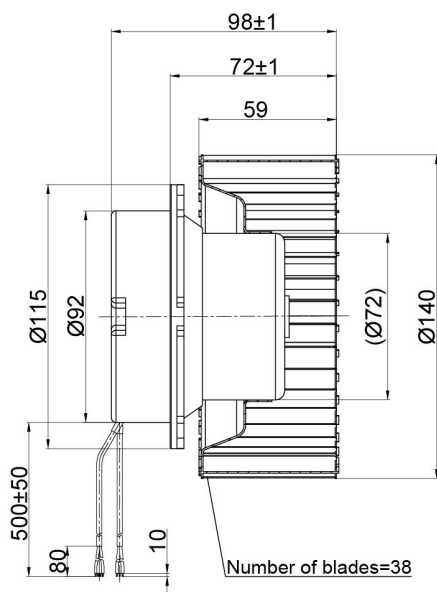


Model	Motor	Bearing System	Rated Voltage	Frequency	Rated Current	Rated Power	Rated Speed	Air Flow	Air Pressure	Sound Level
Part No.	Type	B/S	VAC	Hz	A	W	RPM	M³/H	Pa	dB(A)
PF3N133B2EM	BE72EC	BALL	230	50/60	0.3	38	1920	220	275	63

# EC Centrifugal Fan Forward Curved Ø140x98mm



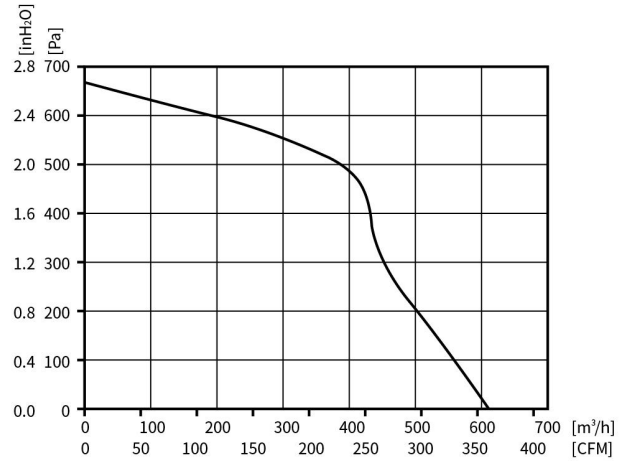
Motor Type EC BRUSHLESS EXTERNAL ROTOR MOTOR	Speed Control 0-10VDC/PWM	Protection Type IP44	Insulation Class B	Operating Temperature -25°C ~ +60°C	Weight 1.3KG	Wiring Mode E1
---	------------------------------	-------------------------	-----------------------	--	-----------------	-------------------



Forward Curved Centrifugal Fans

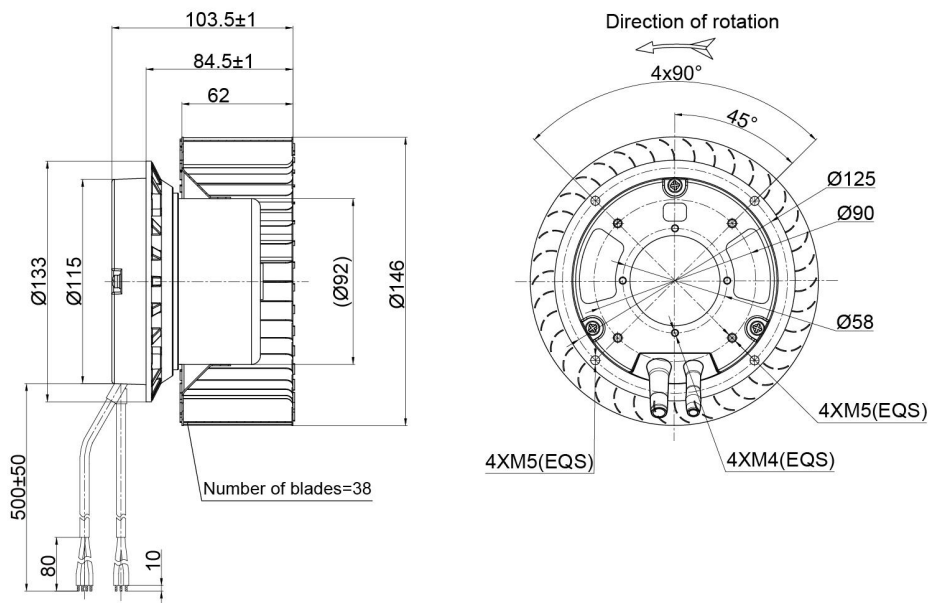
Model	Motor	Bearing System	Rated Voltage	Frequency	Rated Current	Rated Power	Rated Speed	Air Flow	Air Pressure	Sound Level
Part No.	Type	B/S	VAC	Hz	A	W	RPM	M <sup>3</sup> /H	Pa	dB(A)
PF3N140B2EH	BE72EC	BALL	230	50/60	0.55	64	1685	450	208	63

# EC Centrifugal Fan Forward Curved Ø146x103.5mm



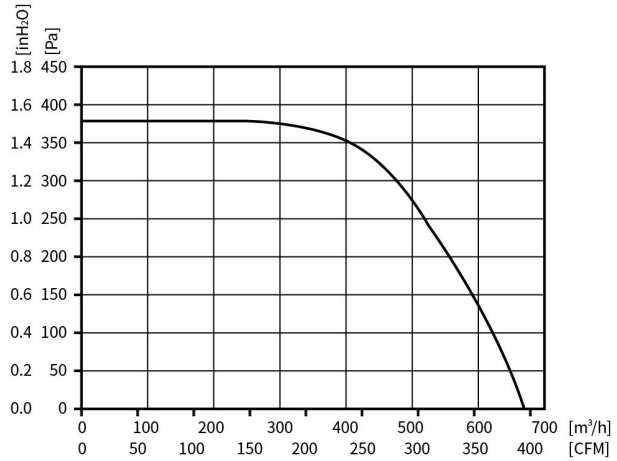
Forward Curved Centrifugal Fans

Motor Type EC BRUSHLESS EXTERNAL ROTOR MOTOR	Speed Control 0-10VDC/PWM	Protection Type IP44	Insulation Class B	Operating Temperature -25°C ~ +60°C	Weight 2KG	Wiring Mode E2
---	------------------------------	-------------------------	-----------------------	--	---------------	-------------------

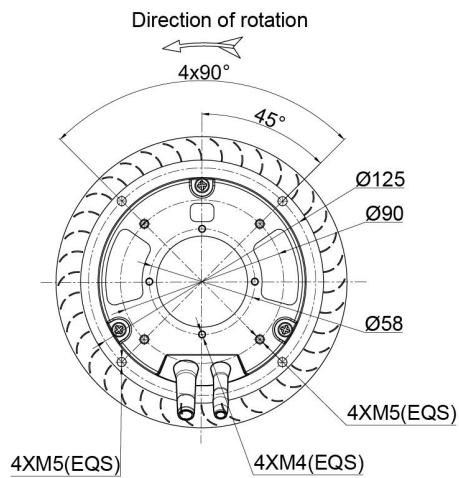
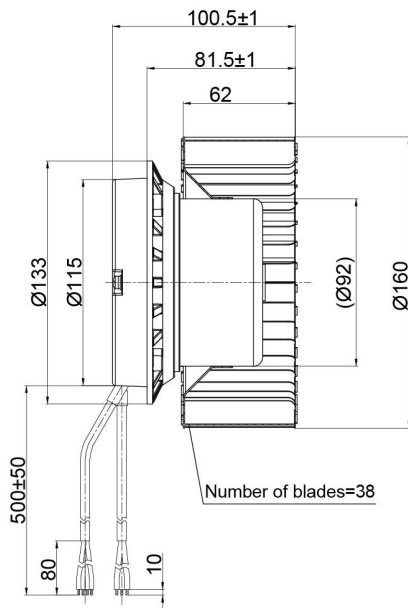


Model	Motor	Bearing System	Rated Voltage	Frequency	Rated Current	Rated Power	Rated Speed	Air Flow	Air Pressure	Sound Level
Part No.	Type	B/S	VAC	Hz	A	W	RPM	M <sup>3</sup> /H	Pa	dB(A)
PF3N146B2EH	BE92EC	BALL	230	50/60	1.3	175	2520	610	666	71

# EC Centrifugal Fan Forward Curved Ø160x100.5mm



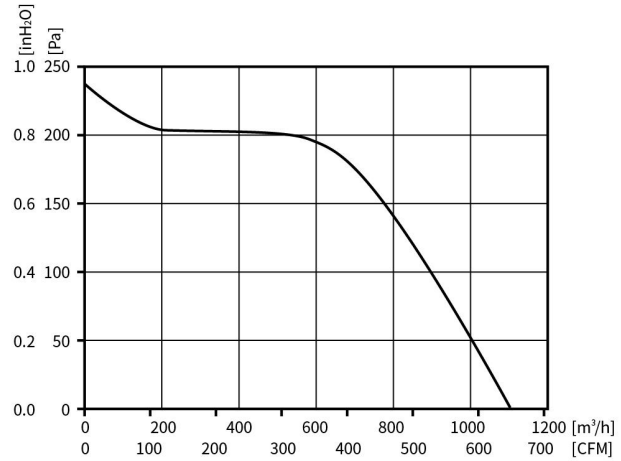
Motor Type EC BRUSHLESS EXTERNAL ROTOR MOTOR	Speed Control 0-10VDC/PWM	Protection Type IP44	Insulation Class B	Operating Temperature -25°C~+60°C	Weight 2.3KG	Wiring Mode E2
---	------------------------------	-------------------------	-----------------------	--------------------------------------	-----------------	-------------------



Model	Motor	Bearing System	Rated Voltage	Frequency	Rated Current	Rated Power	Rated Speed	Air Flow	Air Pressure	Sound Level
Part No.	Type	B/S	VAC	Hz	A	W	RPM	M <sup>3</sup> /H	Pa	dB(A)
PF3N160B2EH	BE92EC	BALL	230	50/60	1.28	177	2160	670	378	70

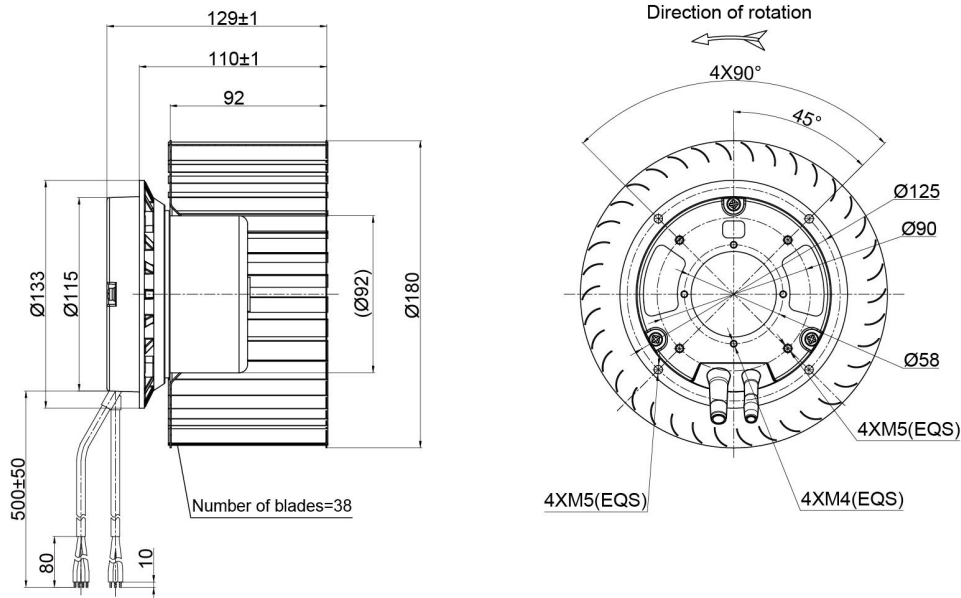
Forward Curved Centrifugal Fans

# EC Centrifugal Fan Forward Curved Ø180x129mm



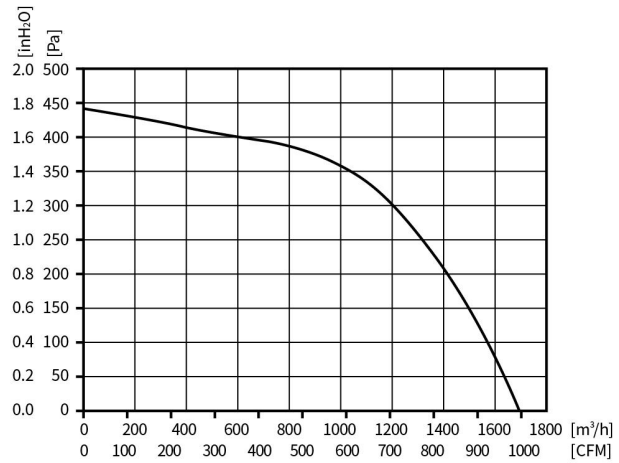
Forward Curved Centrifugal Fans

Motor Type EC BRUSHLESS EXTERNAL ROTOR MOTOR	Speed Control 0-10VDC/PWM	Protection Type IP44	Insulation Class B	Operating Temperature -25°C ~ +60°C	Weight 2.5KG	Wiring Mode E2
---	------------------------------	-------------------------	-----------------------	--	-----------------	-------------------



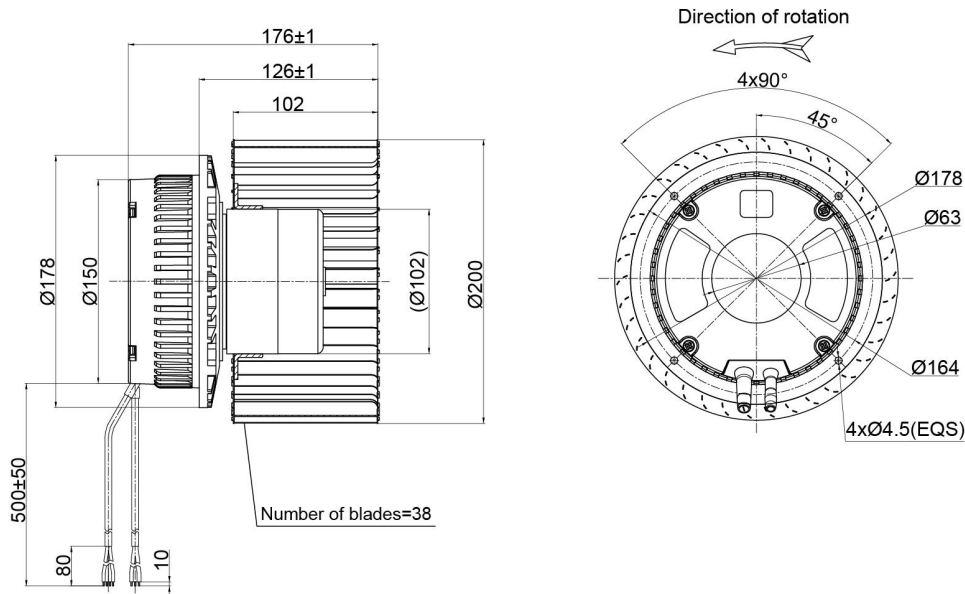
Model	Motor	Bearing System	Rated Voltage	Frequency	Rated Current	Rated Power	Rated Speed	Air Flow	Air Pressure	Sound Level
Part No.	Type	B/S	VAC	Hz	A	W	RPM	M <sup>3</sup> /H	Pa	dB(A)
PF3N180B2EM	BE92EC	BALL	230	50/60	1.2	168	2250	1100	237	60

# EC Centrifugal Fan Forward Curved Ø200x176mm



Motor Type EC BRUSHLESS EXTERNAL ROTOR MOTOR	Speed Control 0-10VDC/PWM	Protection Type IP44	Insulation Class B	Operating Temperature -25°C ~ +60°C	Weight 7.4KG	Wiring Mode E3
---	------------------------------	-------------------------	-----------------------	--	-----------------	-------------------

Forward Curved Centrifugal Fans



Model	Motor	Bearing System	Rated Voltage	Frequency	Rated Current	Rated Power	Rated Speed	Air Flow	Air Pressure	Sound Level
Part No.	Type	B/S	VAC	Hz	A	W	RPM	M <sup>3</sup> /H	Pa	dB(A)
PF3N200B2EM	BE102EC	BALL	230	50/60	3.1	510	1800	1700	440	77